



ALL Stargrip® series 4300

Designed for use on Ductile Iron, Steel, HDPE and PVC Pipes
Sizes 4"-12", 16" & 24"



ALL Stargrip® Series 4300 for Ductile Iron, Steel, HDPE and PVC Pipe

INFORMATION

The ALL Stargrip® Series 4300 Mechanical Joint Restraint System is a unique product with a proven design that provides an exceptional restraining system for mechanical joint fittings (AWWA C153 or C110), valves, fire hydrants on a variety of ductile iron, Steel and plastic pressure pipes.

Versatile Product with a quicker and easier installation.

FEATURES & ADVANTAGES

- Consists of 4" to 12" 4300 Generation 2 design gland.
- Fewer wedges and lower wedge-bolt torque (45 to 60 ft-lbs) results in quicker and easier installation.
- Spacer is provided for sizes 4"-12" that can be easily removed when restraint is used on IPS/Steel pipe. Wedge bolts do not need to be removed and reinstalled to remove spacer.
- Wedges are mechanically attached to the wedge bolts, which eliminates the possibility of falling out during shipping and handling.
- The standard gland color is orange and is made from high strength Ductile Iron per ASTM A536 Grade 65-45-12 and is compatible with all Mechanical Joints conforming to ANSI/AWWA C111/A21.11.
- The wedges are heat treated to a minimum of 370 BHN.
- Sizes 4"-12" can be used on ductile iron pipe, steel pipe, AWWA C900 PVC, AWWA C909 PVCO pipe, ASTM D2241 IPS PVC pipe, AWWA C906 HDPE pipe. See pressure rating table for approved DR and sizes.
- Sizes 16" & 24" can be used on ductile iron pipe, AWWA C900 PVC and C906 HDPE pipe.
- Sizes 4"-12" steel and plastic pressure pipes manufactured to an IPS diameter regimen will require a transition gasket. HDPE pipe requires use of stainless steel pipe stiffener.
- Sizes 4"-12" are listed with UL and ULC, are FM Approved and are tested to and meets the requirements of ASTM F1674.
- The safety factor is twice (2:1) the standardized pressure rating listed on next page.
- Will fit any Mechanical Joint configuration, meaning compatibility with different types of installations.
- The ALL Stargrip® Series 4300 offers 5° deflection 4"-12". For sizes 16" & 24" it is 3° deflection on ductile iron pipe. 3° and 2° deflection respectively for sizes 16" & 24" on AWWA C900 PVC. NOTE: Deflection for C909 PVCO pipe is not allowed per pipe manufacturer.
- Larger gland ID allows easier installation on out-of-round pipe.
- Torque limiting bolts are designed to prevent over torque.
- All sizes have curved wedges that do not flatten pipe.
- Eliminates the need for tie rods and thrust blocks.
- US Patent #9,822,910

SAMPLE SPECIFICATIONS

Restrainer mechanism shall be integrated into the design of the restraint gland. As the mechanism is activated, multiple wedging action shall be imparted against the pipe increasing its resistance as internal pressure increases. After burial of the restraining mechanism, joint flexibility shall be maintained.

The actuating bolt shall be threaded into the gland and have a 1-1/4" hex operating nut. The actuating bolt system shall have a torque-limiting head designed to break off at preset torque levels, thus insuring proper action of the restraining device. After removal of the torque-limiting head, a 5/8" hex head shall remain to facilitate the removal and re-assembly of the gland. Glands, bolts and wedges shall be manufactured of high strength ductile iron in accordance with ASTM A536 Grade 65-45-12 requirements. Wedges shall be heat treated to a minimum hardness of 370 BHN.

Applicable dimensions conforming to ANSI/AWWA C111/A21.11, C110/A21.10 and C153/A21.53 and shall be incorporated into the design so that the device facilitates use with standard mechanical joint sockets. The restraining mechanism shall have a pressure rating as stated in most current catalog and shall have a safety factor of at least 2:1. The restraining device shall be Star® Pipe Products ALL Stargrip® Series 4300 or equal.

JRCAT21.02



® REGISTERED TRADEMARK OF STAR PIPE PRODUCTS

STAR® PIPE PRODUCTS
HOUSTON CORPORATE | TOLL FREE 1-800-999-3009 | FAX 281-558-9000
www.starpipeproducts.com

STAR® PIPE PRODUCTS

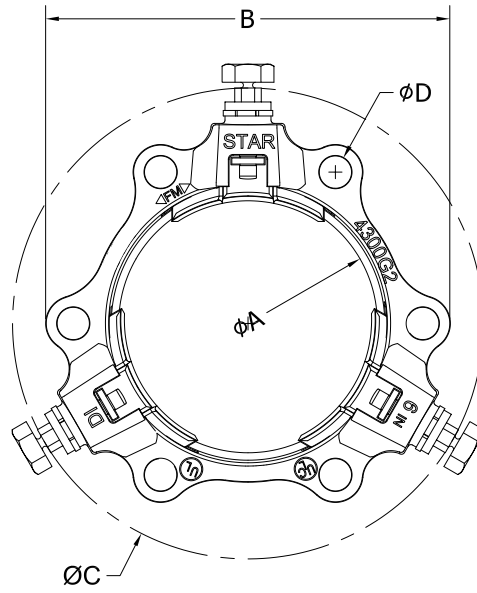


ALL Stargrip[®] series 4300

Designed for use on Ductile Iron, Steel, HDPE and PVC Pipes

Sizes 4"-12", 16" & 24"

TECHNICAL INFORMATION



6" ALL Stargrip[®] Series 4300

ALL STARGRIP [®] 4300 SPECIFICATIONS*										
NOM. SIZE	CI OD	IPS OD (MJ TRANSITION GASKET REQUIRED.)	ØA	B	C ¹	ØD	T-BOLTS		WEDGES (QTY)	APPROX. WT. (LBS)
							SIZE	QTY.		
4	4.80	4.50	4.93	9.00	10.86	7/8	3/4 x 3 1/2	4	2	7.38
6	6.90	6.63	7.03	11.00	12.96	7/8	3/4 x 3 1/2	6	3	10.61
8	9.05	8.63	9.18	13.25	15.00	7/8	3/4 x 4	6	4	17.73
10	11.10	10.75	11.23	15.62	17.20	7/8	3/4 x 4	8	6	24.78
12	13.20	12.75	13.33	17.87	19.11	7/8	3/4 x 4	8	8	33.08
16	17.40	-	17.55	22.84	23.30	7/8	3/4 x 4 1/2	12	12	55.12
24	25.80	-	25.95	31.94	32.06	7/8	3/4 x 5	16	16	103.40

* All dimensions in inches except where indicated.
1- dimension after assembly on pipe.

ALL STARGRIP [®] 4300 MAXIMUM PRESSURE RATINGS (PSI) **																			
NOM. SIZE (IN.)	DI (C151/A21.51)	STEEL* (SCH. 40)	AWWA C900 (CI OD)							AWWA C909	ASTM D2241* (IPS OD)			HDPE*** AWWA C906					
			DR14	DR17	DR18	DR21	DR25	DR27.5	DR32.5		SDR17	SDR21	SDR26	DR7.3	DR 9	DR 9.3	DR 11	DR13.5	DR17
4	350	350	305	250	235	200	165	-	-	235	250	200	160	254	200	193	160	130	100
6	350	350	305	250	235	200	165	-	-	235	250	200	160	254	200	193	160	130	100
8	350	350	305	250	235	200	165	-	-	235	250	200	160	254	200	193	160	130	100
10	350	350	305	250	235	200	165	-	-	235	250	200	160	254	200	193	160	130	100
12	350	350	305	250	235	200	165	-	-	235	250	200	160	254	200	193	160	130	100
16	350	-	-	-	235	200	165	150	125	235	-	-	-	-	-	-	160	-	-
24	250	-	-	-	235	200	165	150	125	-	-	-	-	-	-	-	-	-	-

* MJ Transition Gasket required.

** Pressure Ratings carry 2:1 safety factor.

*** HDPE Pipe will require a separate stiffener ring - NOT supplied by STAR PIPE PRODUCTS.

STAR[®] PIPE PRODUCTS