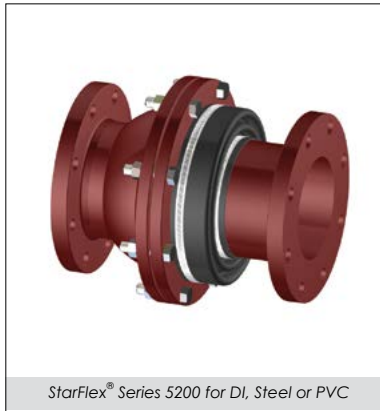




# StarFlex® series 5200

Single-Ball Flexible Joint  
for the Protection of Water, Wastewater, and Industrial Pipelines



StarFlex® Series 5200 for DI, Steel or PVC

### SUBMITTAL INFORMATION

PROJECT NAME:

ENGINEER:

CONTRACTOR:

SPEC. SECTION:



### FEATURES & ADVANTAGES

- Rated 350 PSI working pressure sizes 3"-24". Sizes 30" and above rated for 250 PSI working pressure.
- Each StarFlex® is coated inside and outside with 15 mils of Fusion Bonded Epoxy that is NSF compliant.
- Each ball on the StarFlex® can deflect a minimum of 20 degrees for 3"-10", 18 degrees for 12", 15 degrees for 14" - 24", 14 degrees for 30" and 13.5 degrees for 36" and 13 degrees for 42" - 48".
- All cast components are made entirely of ductile Iron grade 65-45-12.
- All fasteners are Type 304 Stainless Steel.
- Every unit is pressurized and cycled while maintaining 350 PSI on sizes 3" - 24" and 250 PSI on sizes 30" and above.
- All sizes have external EPDM rubber boots to prevent debris from entering the sealing areas.
- Pressure seals are EPDM. Maximum operating temperature is 175° F.
- The StarFlex® may be used on ductile iron, steel, HDPE or PVC pipe.
- Flanged outlets are dimensioned according to ANSI/AWWA C110/A21.11 which is also equal to ASME B16.1 Class 125 & ASME B16.5 Class 150 without a raised face.
- Standard color is Coral red.
- NSF61 Approved Fusion Bonded Epoxy coating is used in wetted areas.

### MATERIAL SPECIFICATIONS:

- All cast components are made entirely of Ductile Iron per ASTM A536, Grade 65-45-12
- All fasteners are Type 304 Stainless Steel.

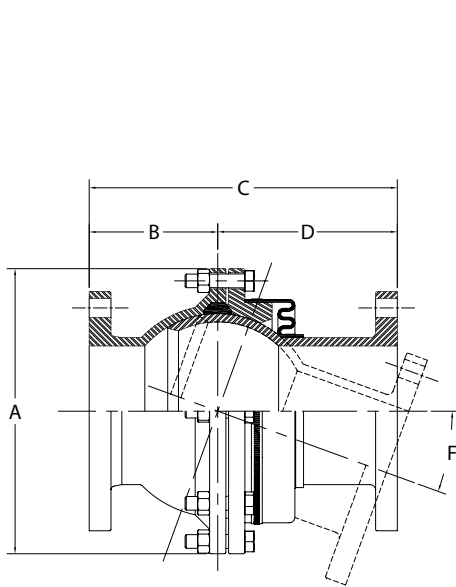
STAR® PIPE PRODUCTS



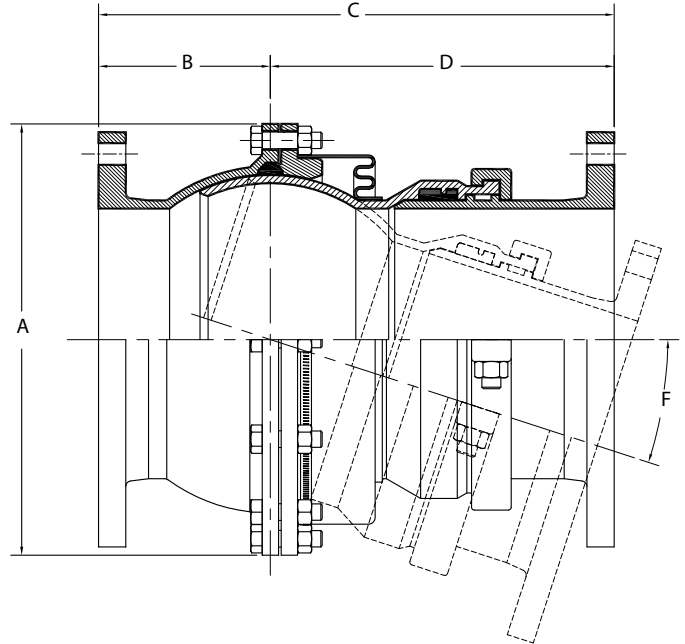
# StarFlex<sup>®</sup> series 5200

Single-Ball Flexible Joint  
for the Protection of Water, Wastewater, and Industrial Pipelines

STAR<sup>®</sup> PIPE PRODUCTS



3"-10"



12"-48"

Please check sizes:

STARFLEX <sup>®</sup> 5200 SPECIFICATIONS*						
NOM. SIZE	A	B	C	D	F	WEIGHT (LBS)
3	9.69	5.31	12.60	7.29	20.0°	53
4	10.87	5.91	13.39	7.48	20.0°	70
6	13.11	5.91	14.17	8.26	20.0°	102
8	15.31	6.30	15.36	9.06	20.0°	174
10	17.32	6.69	15.75	9.06	20.0°	184
12	19.76	7.87	23.62	15.75	18.0°	300
14	22.56	9.06	27.17	18.11	15.0°	489
16	24.69	9.45	27.76	18.31	15.0°	571
18	26.81	10.24	30.31	20.07	15.0°	641
20	29.72	11.02	31.89	20.87	15.0°	734
24	33.54	11.42	34.45	23.03	14.0°	1029
30	44.49	15.16	45.67	30.51	14.0°	2357
36	50.51	16.54	48.43	31.89	13.5°	3161
42	58.98	19.09	54.53	35.44	13.0°	4575
48	64.49	19.02	56.30	37.28	13.0°	5412

\*All dimensions in inches except where indicated.