

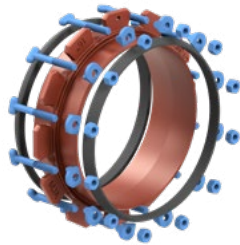


Import 14"-36" MJ x MJ Adapter series 100

For MJ Bell Connections



MJ x MJ Adapter Series 100 for MJ bell connections



SUBMITTAL INFORMATION

PROJECT NAME:

ENGINEER:

CONTRACTOR:

SPEC. SECTION:



FEATURES & ADVANTAGES

- Provides restraint between MJ valves and MJ fittings or between MJ fittings through the use of our bolt-through design MJ x MJ adapter
- Compact design allows connection of two MJ bells with minimum spacing.
- Approximate distance between MJ connections is 1 ¾ inches for 14"-36"
- Maximum working pressure is 350 psi for 14"-24" and 250 psi for 30"-36"
- Product is supplied with MJ x MJ adapter, 2 MJ gaskets, T-bolts, nuts and spacers.

MATERIAL SPECIFICATIONS:

- MJxMJ adapter and spacers are manufactured from high strength ductile iron in accordance with ASTM A536 Grade 65-45-12
- T-Head bolts made from low alloy high strength steel per ANSI/AWWA C111/A21.11.
- Standard MJ gaskets are made from styrene butadiene rubber (SBR) per ANSI/AWWA C111/A21.11.

GASKET OPTIONS (Please check one): _____

Import Standard: MJ gasket - Styrene butadiene rubber (SBR) per ANSI/AWWA C111/A-21.11

Optional: EPDM

Optional: NITRILE

Other (specify) _____

HARDWARE OPTIONS (Please check one): _____

Import Standard: T-bolts and nuts Fluoropolymer Star-Blue coated high strength low alloy steel manufactured in accordance with ANSI/AWWA C111/A21.11.

Optional: T-bolts and nuts alloy SS 304 per ASTM F593

Optional: T-bolts and nuts alloy SS 316 per ASTM F593

MJ ADAPTER COATING:

Import Standard: Fusion Bonded Epoxy (FBE) inside and out in accordance with ANSI/AWWA C116/A21.6

STAR® PIPE PRODUCTS

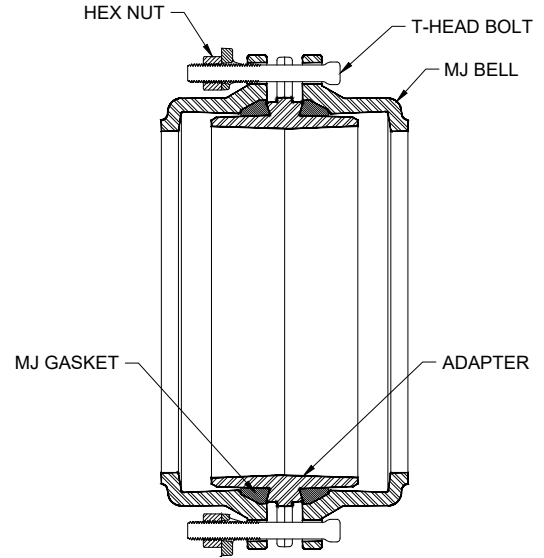
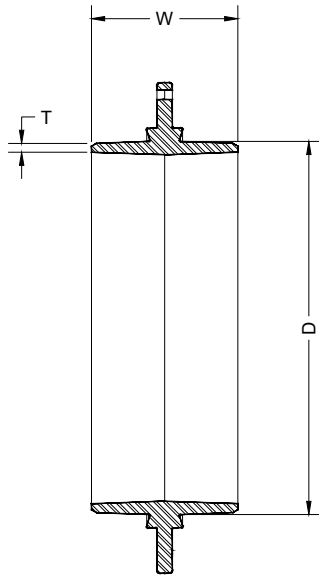




Import 14-36" MJ x MJ Adapter series 100

For MJ Bell Connections

TECHNICAL INFORMATION



Import MJ x MJ ADAPTER SPECIFICATIONS*

Please check sizes:

NOM. SIZE	T-HEAD BOLT QTY.	ADAPTER SPACERS QTY.	W	D	T	WT WITH ACCESSORIES (LBS.)
14	10	10	6.00	15.30	0.36	69
16	12	12	6.00	17.40	0.37	80
18	12	12	6.75	19.50	0.38	98
20	14	14	6.75	21.60	0.39	111
24	16	16	6.75	25.80	0.44	130
30	20	20	7.50	32.00	0.51	229
36	24	24	7.50	38.30	0.58	289

*All dimensions in inches except where indicated.

SAMPLE SPECIFICATIONS

A positive, bolt-through restraint mechanism shall be used to connect mechanical joint valves and fittings without the use of pipe. The MJ x MJ Adapter will incorporate a bolt-through restraint mechanism design that allows for connection of MJ x MJ bells of valves and fittings with T-head bolts and pigtail bolts. The MJ x MJ Adapter and spacers shall be manufactured from high strength ductile iron in accordance with ASTM A536, Grade 65-45-12. Supplied with standard NSF-61 Approved asphaltic seal coat that conforms to ANSI/AWWA C104/A21.4 or NSF-61 approved FBE coating that conforms to ANSI/AWWA C116/A21.6.