

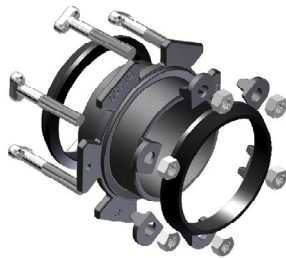


# Domestic 3"-12" MJ x MJ Adapter series 100

For MJ Bell Connections



MJ x MJ Adapter Series 100 for MJ bell connections



### SUBMITTAL INFORMATION

PROJECT NAME:

ENGINEER:

CONTRACTOR:

SPEC. SECTION:



### FEATURES & ADVANTAGES

- Provides restraint between MJ valves and MJ fittings or between MJ fittings through the use of our bolt-through design MJ x MJ adapter
- Compact design allows connection of two MJ bells with minimum spacing.
- Approximate distance between MJ connections is 1 ¼ inches for 3"-10" and 1 ¾ inches for 12"-36".
- 350 psi maximum working pressure
- Product is supplied with MJ x MJ adapter, 2 MJ gaskets, T-bolts, pigtail bolts, nuts and spacers.

### MATERIAL SPECIFICATIONS:

- Domestic MJxMJ adapter and spacers are black asphaltic seal coat inside and out in accordance with ANSI/AWWA C104/A21.04 and are manufactured from high strength ductile iron in accordance with ASTM A536 Grade 65-45-12.
- Domestic T-bolts and pigtail bolts are high strength low alloy steel manufactured in accordance with ANSI/AWWA C111/A21.11.
- Standard MJ gaskets are made from styrene butadiene rubber (SBR) per ANSI/AWWA C111/A21.11.

STAR® PIPE PRODUCTS

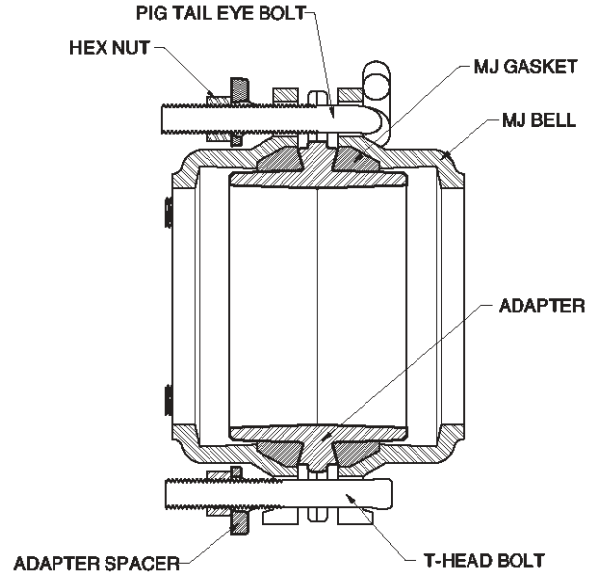
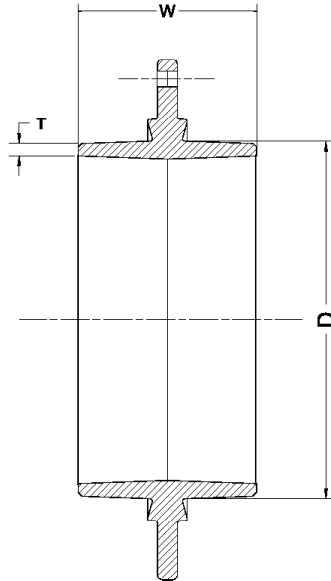




# Domestic 3-12" MJ x MJ Adapter series 100

For MJ Bell Connections

## TECHNICAL INFORMATION



**Domestic MJ x MJ ADAPTER SPECIFICATIONS\***

Please check sizes:

NOM. SIZE	T-HEAD BOLT QTY.	PIG TAIL EYE BOLT QTY.	ADAPTER SPACERS QTY.	W	D	T	WT WITH ACCESSORIES (LBS.)
3	4	N/A	4	4.50	3.96	0.29	10
4	4	N/A	4	4.50	4.80	0.31	16
6	4	2	6	4.50	6.90	0.31	23
8	4	2	6	4.50	9.05	0.31	29
10	4	4	8	4.60	11.10	0.34	41
12	4	4	8	4.60	13.20	0.34	45

\*All dimensions in inches except where indicated.

### SAMPLE SPECIFICATIONS

A positive, bolt-through restraint mechanism shall be used to connect mechanical joint valves and fittings without the use of pipe. The MJ x MJ Adapter will incorporate a bolt-through restraint mechanism design that allows for connection of MJ x MJ bells of valves and fittings with T-head bolts and pigtail bolts. The MJ x MJ Adapter and spacers shall be manufactured from high strength ductile iron in accordance with ASTM A536, Grade 65-45-12. Supplied with standard NSF-61 Approved asphaltic seal coat that conforms to ANSI/AWWA C104/A21.

STAR® PIPE PRODUCTS