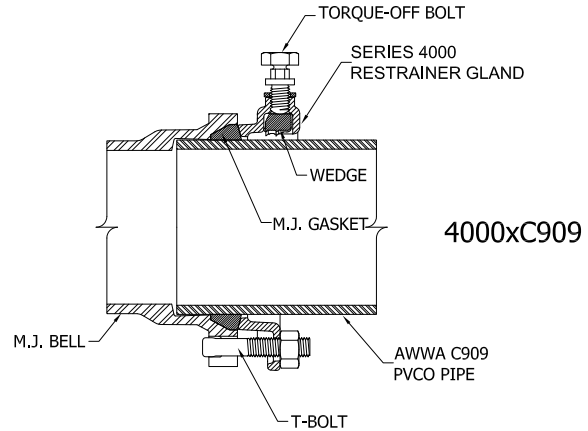
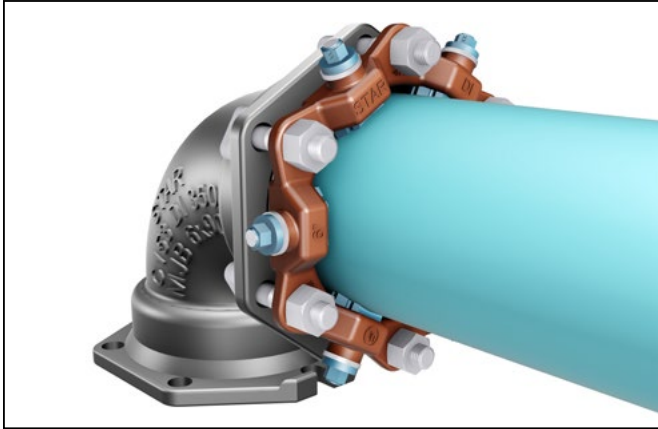




PVC StarGrip® Series 4000 Restrainer

FOR USE ON JM EAGLE ULTRA BLUE™ AWWA C909 PVCO PIPE WITH C.I. OD



FEATURES & BENEFITS

- Designed for Restraining Mechanical Joint Fittings with JM Eagle Ultra Blue™ ANSI/AWWA C909 PVCO Pipe.
- Castings made of Ductile Iron per ASTM A536, Grade 65-45-12.
- Maximum pressure rating includes a 2:1 safety factor
- T-Bolts/Rods/Hex Nuts: High Strength Low Alloy Steel Per ANSI/AWWA C111/A21.11
- Series 4000 Restrainer is intended for underground use only.

PRESSURE RATINGS FOR JM EAGLE ULTRA BLUE™ AWWA C909 PVCO PIPE WITH C.I. OD

Nominal Size	PVCO PIPE OD	*Joint Restraint Maximum Pressure Rating (PSI)	T-Bolt Torque (LB.-FT.)
6"	6.90	235	55-65
8"	9.05	235	55-65
10"	11.10	235	55-65
12"	13.20	235	55-65
16"	17.40	165	75-90

* Pressure rating of restraint matches full pressure rating of pipe per JM Eagle literature.

COUNTRY OF ORIGIN OPTION (Please check one):

Import

Domestic - AIS Compliant

Notes:

- Installation requires T- Bolt torque values to be applied as indicated above.
- Installation to be in accordance with ANSI/AWWA C605 and ANSI/AWWA C600 with exception of T-bolt Torque (see above chart)
- Pipeline testing to be in accordance with ANSI/AWWA C605.