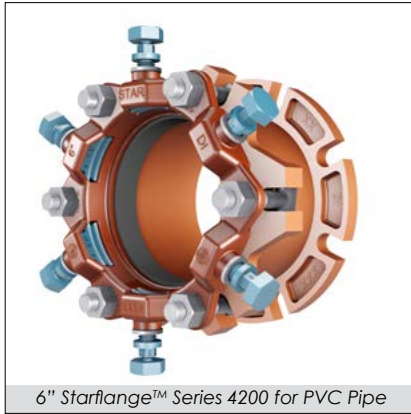




# StarFlange™ series 4200

Restrained Adapter Flange Coupling  
for PVC Pipe



6" Starflange™ Series 4200 for PVC Pipe

### SUBMITTAL INFORMATION

PROJECT NAME:

ENGINEER:

CONTRACTOR:

SPEC. SECTION:



### FEATURES & ADVANTAGES

- Provides flexibility to accommodate pipe misalignment
- No special tools required for installation
- Fully restrained to pressure rating as listed on the next page, with a 2:1 safety factor
- Pipe end does not need to be square cut.
- Flange meets ANSI Class 125/150 and ANSI/AWWA C115/A21.15 drill pattern.
- Can be used on 3" - 12" IPS PVC Pipe (**a transition MJ gasket is required with IPS pipe**)
- MJ gasket and O-ring flange gasket are made from styrene butadiene rubber (SBR) per ANSI / AWWA C111/ A-21.11.
- Includes PVC Stargrip®, Flange Adapter, MJ Gasket, O-Ring gasket and low alloy steel T-bolts
- StarFlange™ size 4"-12" are listed with Underwriters Laboratories Inc. and approved by Factory Mutual Research (FM) for use on DR18 Class 235 C900 PVC pipe at 150 PSI.

### MATERIAL SPECIFICATIONS:

- Gland: Ductile Iron per ASTM A536, Grade 65-45-12
- Wedges: Ductile Iron per ASTM A536, Grade 65-45-12 heat treated to a minimum of 370 BHN
  - Wedge Finish: Thermally cured fluoropolymer epoxy coating
- O-Ring: Styrene butadiene rubber (SBR) per ANSI/AWWA C111/A-21.11
- Adapter: Ductile Iron per ASTM A536, Grade 65-45-12
  - Adapter Finish: Fusion Bond Epoxy (FBE) coating

### HARDWARE OPTIONS (Please check one):

Standard: T-bolts are high strength low alloy steel manufactured in accordance with ANSI/AWWA C111/A21.11-00

Optional: T-bolts and nuts alloy SS 304 per ASTM F593

Optional: T-bolts and nuts alloy SS 316 per ASTM F593

Optional: T-bolts and nuts Fluoropolymer Star-Blue coated high strength low alloy steel manufactured in accordance with ANSI/AWWA C111/A21.11-00



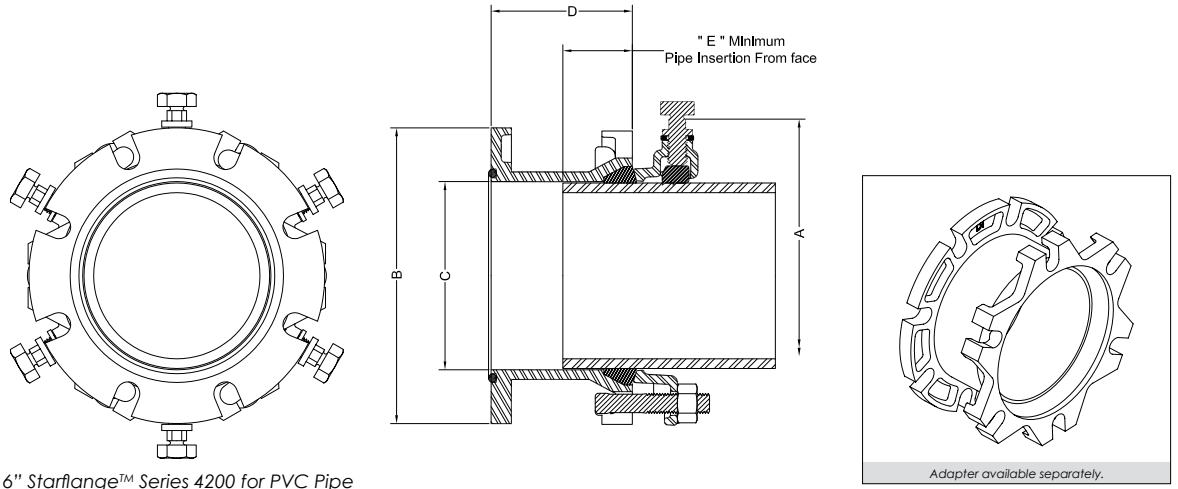
STAR® PIPE PRODUCTS



# StarFlange™ series 4200

Restrained Adapter Flange Coupling for PVC Pipe

TECHNICAL INFORMATION



6" Starflange™ Series 4200 for PVC Pipe

Please check sizes:

STARFLANGE™ 4200 SPECIFICATIONS*									
NOM. SIZE	C900/C905 PIPE OD	IPS PIPE OD	A <sup>1</sup>	B	C	D	E	<sup>2</sup> MAXIMUM JOINT DEFLECTION <sup>°</sup>	APPROX. WT. (LBS)
3	N/A	3.50	8.50	7.50	4.06	3.88	2.13	5°	20
4	4.80	4.50	9.64	9.00	4.90	4.35	2.13	5°	27
6	6.90	6.63	11.72	11.00	7.00	5.25	2.50	5°	39
8	9.05	8.63	13.97	13.50	9.15	5.25	2.50	5°	52
10	11.10	10.75	16.18	16.00	11.20	5.62	2.50	3°	72
12	13.20	12.75	18.23	19.00	13.30	5.69	2.50	3°	92
14	15.30	N/A	20.36	21.00	15.44	6.67	3.00	2°	133
16	17.40	N/A	22.46	23.50	17.54	6.79	3.00	2°	164
18	19.50	N/A	24.56	25.00	19.64	7.40	3.00	1.5°	193
20	21.60	N/A	26.66	27.50	21.74	7.41	3.00	1.5°	227
24	25.80	N/A	30.86	32.00	25.94	7.90	3.00	1°	302
30	32.00	N/A	36.82	38.75	32.17	8.50	3.00	1°	494
36	38.30	N/A	43.12	46.00	38.47	9.00	3.00	1°	636

\*All dimensions in inches except where indicated.

1 - Dimension after assembly on pipe.

2 - Deflection attained at minimum pipe insertion.

NOM. SIZE (IN.)	MAXIMUM WORKING PRESSURE RATING WITH OCCASSIONAL & RECURRING SURGES														
	C900									AWWA C909 PVC0			ASTM D2241		
	DR14	DR17	DR18	DR21	DR25	DR27.5	DR32.5	DR41	DR51	IPEX PVC0	JM EAGLE PVC0	PC165	SDR 17	SDR 21	SDR 26
3	305	250	235	200	165	-	-	-	-	235	-	-	250	200	160
4	305	250	235	200	165	-	-	-	-	235	235	-	250	200	160
6	305	250	235	200	165	-	-	-	-	235	235	-	250	200	160
8	305	250	235	200	165	-	-	-	-	235	235	-	250	200	160
10	305	250	235	200	165	-	-	-	-	235	235	-	250	200	160
12	305	250	235	200	165	-	-	-	-	235	235	-	250	200	160
14	305	250	235	200	165	150	125	-	-	235	-	-	-	-	-
16	205	250	235	200	165	150	125	-	-	235	-	165	-	-	-
18	-	250	235	200	165	150	125	-	-	200	-	-	-	-	-
20	-	250	235	200	165	150	125	-	-	-	-	-	-	-	-
24	-	250	235	200	165	150	125	-	-	-	-	-	-	-	-
30	-	-	235	200	165	150	125	-	-	-	-	-	-	-	-
36	-	-	235	200	165	165	125	-	-	-	-	-	-	-	-

STAR® PIPE PRODUCTS