

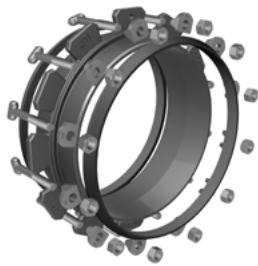


# 14"-36" MJ x MJ Adapter series 100

For MJ Bell Connections



MJ x MJ Adapter Series 100 for MJ bell connections



### SUBMITTAL INFORMATION

PROJECT NAME:

ENGINEER:

CONTRACTOR:

SPEC. SECTION:

*NOTE: Product is supplied with MJ x MJ adapter, 2 MJ gaskets, T-bolts, nuts and spacers.*



### FEATURES & ADVANTAGES

- Provides restraint between MJ valves and MJ fittings or between MJ fittings through the use of our bolt-through design MJ x MJ adapter
- Compact design allows connection of two MJ bells with minimum spacing.
- Maximum distance between MJ connections is 1 3/4 inches.
- Maximum working pressure is 350 psi for 14"-24" and 250 psi for 30" -36"
- Product is supplied with MJ x MJ adapter, 2 MJ gaskets, T-bolts, nuts and spacers.

### MATERIAL SPECIFICATIONS:

- MJxMJ adapter and spacers are manufactured from high strength ductile iron in accordance with ASTM A536 Grade 65-45-12
- T-Head bolts made from low alloy high strength steel per ANSI/AWWA C111/A21.11.
- Standard MJ gaskets are made from styrene butadiene rubber (SBR) per ANSI/AWWA C111/A-21.11.

### GASKET OPTIONS (Please check one):

Standard: MJ gasket - Styrene butadiene rubber (SBR) per ANSI/AWWA C111/A-21.11

Optional: EPDM

Optional: NITRILE

Other (specify) \_\_\_\_\_

### HARDWARE OPTIONS (Please check one):

Standard: T-bolts and nuts Fluoropolymer Star-Blue coated high strength low alloy steel manufactured in accordance with ANSI/AWWA C111/A21.11.

Optional: T-bolts and nuts alloy SS 304 per ASTM F593

Optional: T-bolts and nuts alloy SS 316 per ASTM F593

### MJ ADAPTER COATING OPTIONS (Please check one):

Standard: Fusion Bonded Epoxy (FBE) inside and out in accordance with ANSI/AWWA C116/A21.6

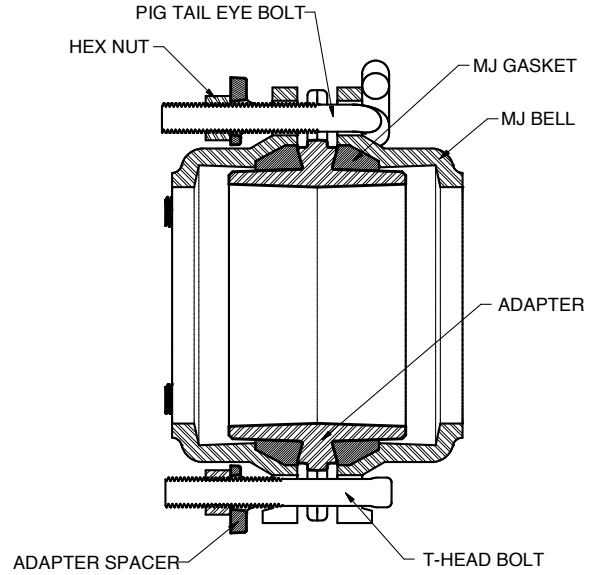
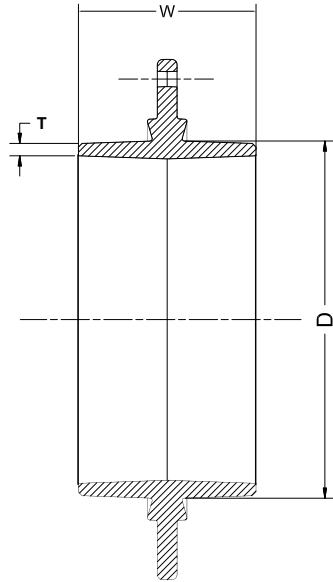
STAR® PIPE PRODUCTS



# 14"-36" MJ x MJ Adapter series 100

For MJ Bell Connections

## TECHNICAL INFORMATION



MJ x MJ ADAPTER SPECIFICATIONS*							
NOM. SIZE	T-HEAD BOLT QTY.	PIG TAIL EYE BOLT QTY.	ADAPTER SPACERS QTY.	W	D	T	WT WITH ACCESSORIES (LBS.)
14	10	N/A	10	6.00	15.30	0.36	69
16	12	N/A	12	6.00	17.40	0.37	80
18	12	N/A	12	6.75	19.50	0.38	98
20	14	N/A	14	6.75	21.60	0.39	111
24	16	N/A	16	6.75	25.80	0.44	130
30	20	N/A	20	7.50	32.00	0.51	229
36	24	N/A	24	7.50	38.30	0.58	289

Please check sizes:

\*All dimensions in inches except where indicated.

STAR® PIPE PRODUCTS