

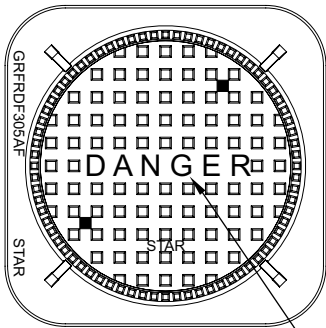
TABLE OF CONTENTS
[CLICK NAME TO NAVIGATE](#)

NAME	CAT #
401.01 SQUARE FRAME MANHOLE A	MB-5001
401.01 SQUARE FRAME MANHOLE B	MB-5002
401.03 WATER TIGHT MANHOLE	MB-5003
400.081 INLET CATCH BASIN	MB-5004
8000 SERIES DUCTILE IRON MANHOLE	MB-5005
8005 CAST IRON MANHOLE	MB-5006
C18 MANHOLE	MB-5007
EXT FOR MHWC18	MB-5008
BELL TRAP	MB-5009
24" 3 PCS SELF LEVEL MH	MB-5010



401.01 SQUARE FRAME MANHOLE A

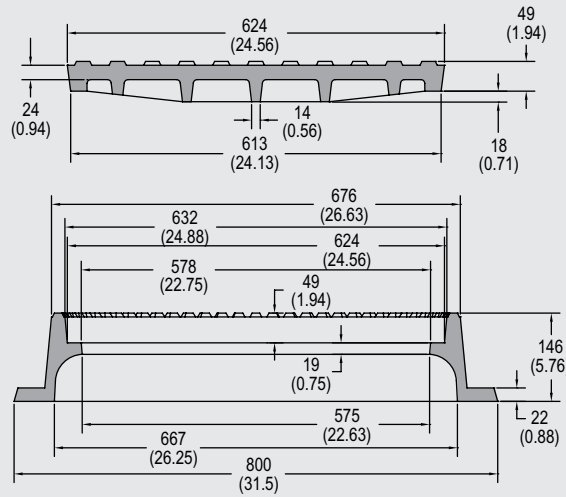
MH-5001



SEE DETAILS FOR OPTIONAL LETTERING

Notes:

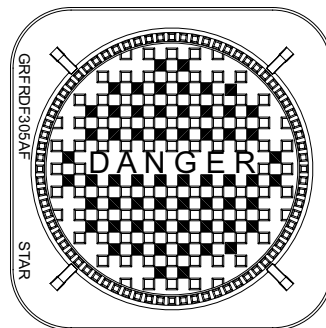
- Material - Cast Iron
- Per ASTM A48 Class 30B
- Dimensions in MM, () = Inches



ITEM CODE	DETAILS
GRFRDF305A	DANGER
GRFRDF305ASN	SANITARY
GRFRDF305AST	STORM
GRFRDF305AW	WATER

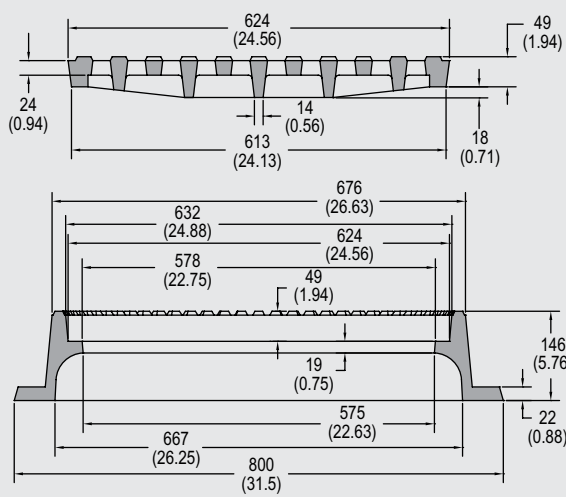
401.01 SQUARE FRAME MANHOLE B

MH-5002



Notes:

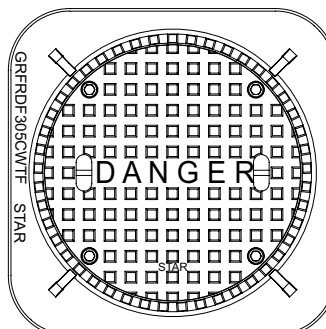
- Material - Cast Iron
- Per ASTM A48 Class 30B
- Dimensions in MM, () = Inches



ITEM CODE	DETAILS
GRFRDF305B	COMPLETE

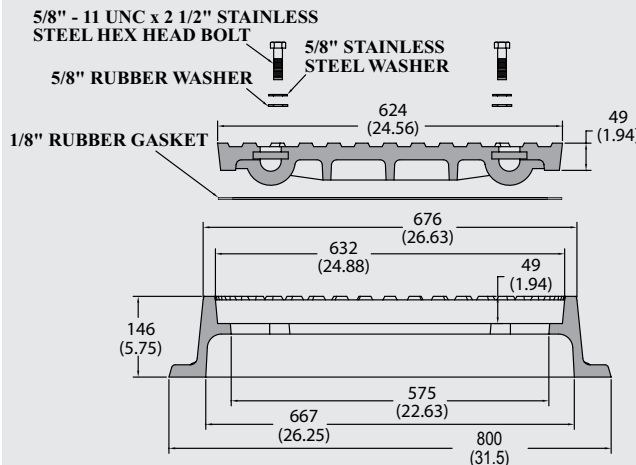
401.03 WATER TIGHT MANHOLE

MH-5003



Notes:

- Material - Cast Iron
- Per ASTM A48 Class 30B
- Bolts, Washers & Gaskets
- Dimensions in MM, () = Inches

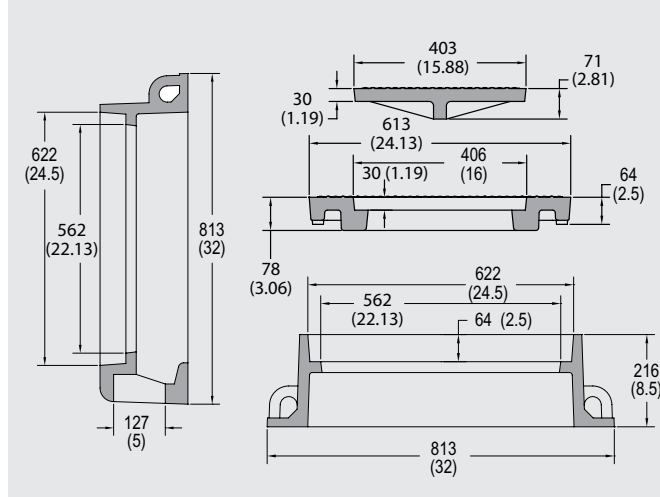
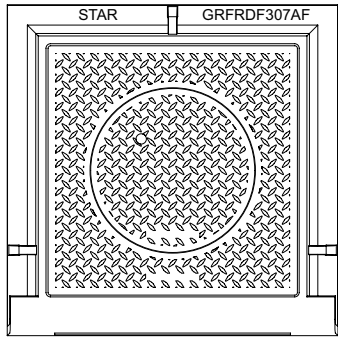


ITEM CODE	DETAILS
GRFRDF305CWT	COMPLETE



400.081 INLET CATCH BASIN

MH-5004

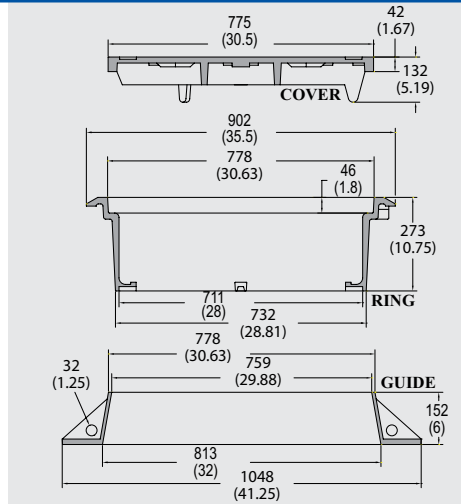
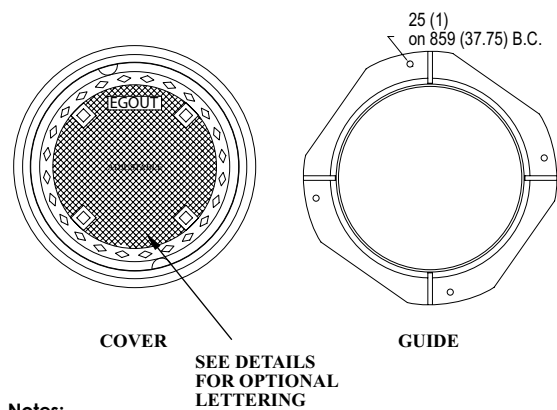


ITEM CODE	DETAILS
GRFRDF307A	COMPLETE

- Notes:**
- Material - Cast Iron
Per ASTM A48 Class 30B
 - Dimensions in MM, () = Inches

8000 SERIES DUCTILE IRON MANHOLE

MH-5005

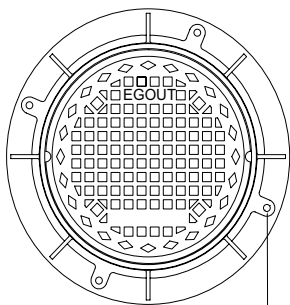


ITEM CODE	DETAILS
MH8002	PLAIN
MH8003	SANITAIRE
MH8004	PLUVIAL

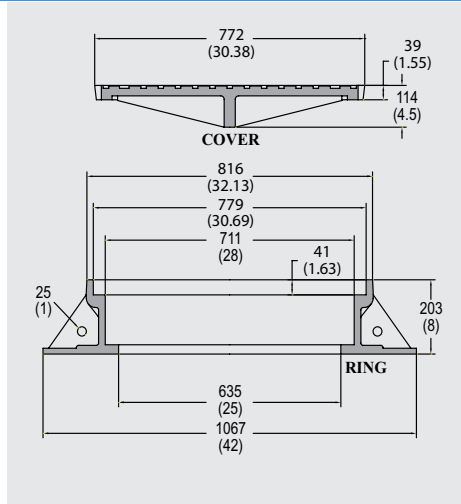
- Notes:**
- Material:
 - Cover & Ring: Ductile Iron ASTM A356 Grade 65-45-12
 - Guide: Cast Iron Per ASTM A48 Class 30B
 - Dimensions in MM, () = Inches

8005 CAST IRON MANHOLE

MH-5006



25 (1.00)
on 968 (38.13) B.C.



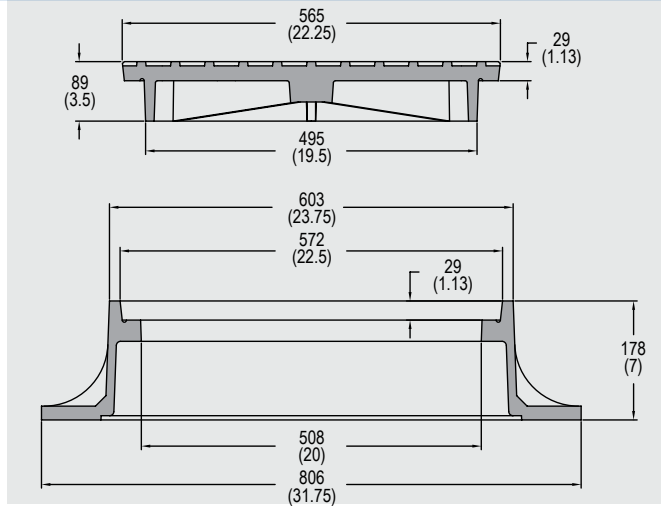
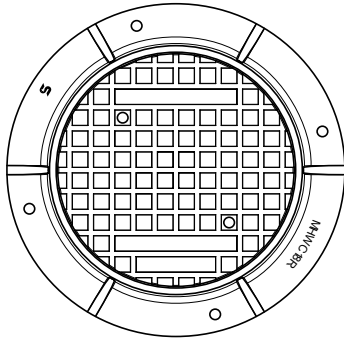
ITEM CODE	DETAILS
MH8005	COMPLETE

- Notes:**
- Material - Cast Iron
Per ASTM A48 Class 30B
 - Dimensions in MM, () = Inches



C18 MANHOLE

MH-5007



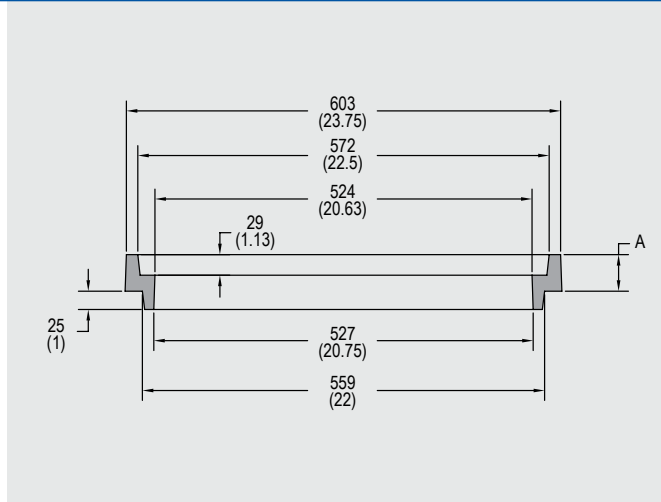
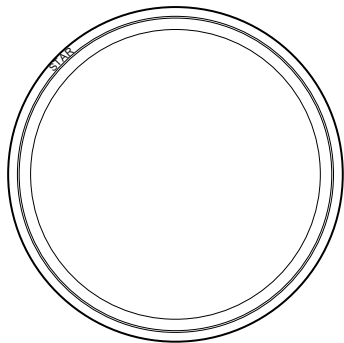
ITEM CODE	DETAILS
MHWC18	COMPLETE

Notes:

- Material - Cast Iron
- Per ASTM A48 Class 30B
- Dimensions in MM, () = Inches

EXT FOR MHWC18

MH-5008



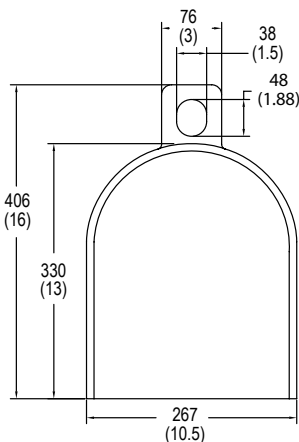
ITEM CODE	HEIGHT (A) (MM/IN)
MHWC18R1.5	38 / 1.5
MHWC18R2	51 / 2
MHWC18R3	76 / 3
MHWC18R4	102 / 4

Notes:

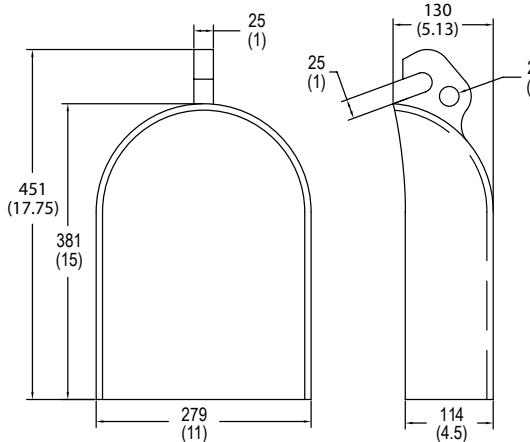
- Material - Cast Iron
- Per ASTM A48 Class 30B
- Dimensions in MM, () = Inches

BELL TRAP

MH-5009



**13" BELL TRAP
MHBT13**



**15" BELL TRAP
MHBT15**

ITEM CODE	DETAILS
MHBT13	COMPLETE
MHBT15	COMPLETE

Notes:

- Material - Cast Iron
- Per ASTM A48 Class 30B
- Dimensions in MM, () = Inches



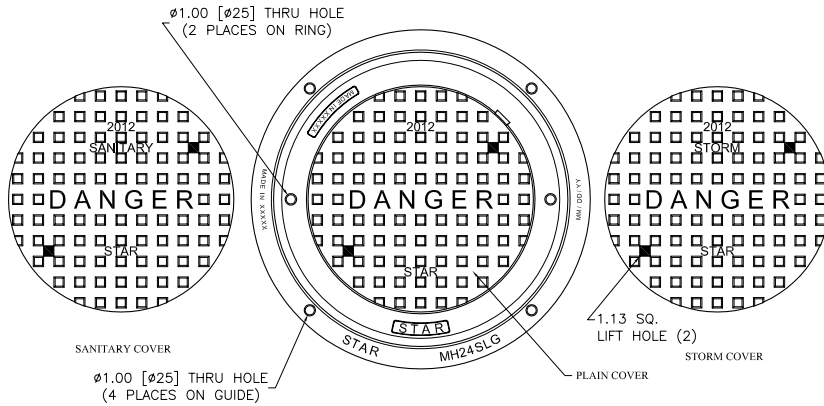
® REGISTERED TRADEMARK OF STAR PIPE PRODUCTS

STAR® PIPE CANADA, INC.
CANADA CAMBRIDGE | TOLL FREE 1-888-893-7827 | FAX 519-650-1553
www.starpipeproducts.com

24" 3 PCS SELF LEVEL MH

MH-5010

ITEM CODE	DETAILS
MH24SL	DANGER



Notes:

- Cover & Ring Material: Ductile Iron ASTM A536 Grade 65-45-12
- Guide Material: Cast Iron Per ASTM A48 Class 30B
- Dimensions in Inches, () = mm

