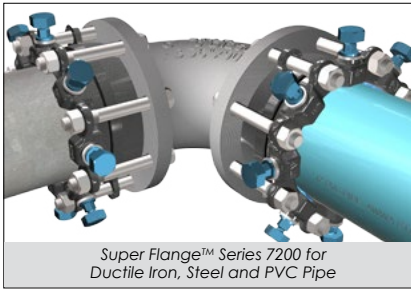


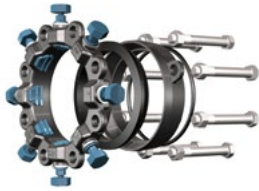


# Super Flange™ series 7200

Designed for use on Ductile Iron, Steel, PVC, PVCO and HDPE Pipes



Super Flange™ Series 7200 for Ductile Iron, Steel and PVC Pipe



### SUBMITTAL INFORMATION

PROJECT NAME:

ENGINEER:

CONTRACTOR:

SPEC. SECTION:



### FEATURES & ADVANTAGES

- Versatile product designed for adapting ductile iron (3"-48"), PVC (3"-24") & steel (3"-12") pipe to flange connections.
- 350 psi maximum pressure rating on ductile iron pipe and rated to the maximum pressure rating of PVC pipe
- Approved on AWWA C900 PVC pipe, AWWA C905 PVC pipe, IPS PVC pipe, AWWA C909 PVCO pipe, and HDPE pipe. See pressure rating table for approved DRs and sizes. Plastic pressure pipes manufactured to an IPS diameter regimen will require a transition gasket.
- Joint deflection up to 5° maximum
- Allows for field flanged ends on plain end pipe
- Flange meets ANSI Class 125/150 and ANSI/AWWA C115/A21.15 drill pattern.
- Includes restraint gland, flange adapter ring, gaskets and hex head bolts/nuts
- Super Flange™ sizes 3"-12" are listed with Underwriters Laboratories Inc. and Underwriters Laboratories of Canada for ductile iron and steel pipe.
- Super Flange™ sizes 4" – 12" are approved by Factory Mutual Research for use on C900 PVC pipe DR18 Class 235 at 150 psi and sizes 4"-10" on DR14 Class 305 at 200 psi.

### MATERIAL SPECIFICATIONS:

- Restraint Gland: Ductile Iron per ASTM A536, Grade 65-45-12
- Restraint Gland Finish: Starbond™ TGIC polyester powder coating applied by an electrostatic spray process
- Wedges: Ductile Iron per ASTM A536, Grade 65-45-12 heat treated to a minimum of 370 BHN
- Wedge Finish: Thermally cured fluoropolymer epoxy coating
- Flange adapter ring: coated with fusion bonded epoxy that meets ANSI/NSF 61
- MJ gasket and O-ring flange gasket are made from styrene butadiene rubber (SBR) per ANSI/AWWA C111/A-21.11.

#### GASKET TYPE (Please check one):

Standard: MJ Gasket

Option: Transition Gasket (3" to 12" only)

#### MJ GASKET MATERIAL OPTIONS (Please check one):

Standard: Styrene butadiene rubber (SBR) per ANSI/AWWA C111/A-21.11

Optional: EPDM

Optional: NITRILE

Other (specify) \_\_\_\_\_

#### HARDWARE OPTIONS (Please check one):

Standard: hex head bolts and nuts are manufactured in accordance with ASTM A307, Grade B and ASTM A563 - bolts and nuts are also zinc plated.

Optional: hex head bolts and nuts alloy SS 304 per ASTM F593 and ASTM A194

Optional: hex head bolts and nuts alloy SS 316 per ASTM F593 and ASTM A194

Optional: hex head bolts and nuts Fluoropolymer Star-Blue coated

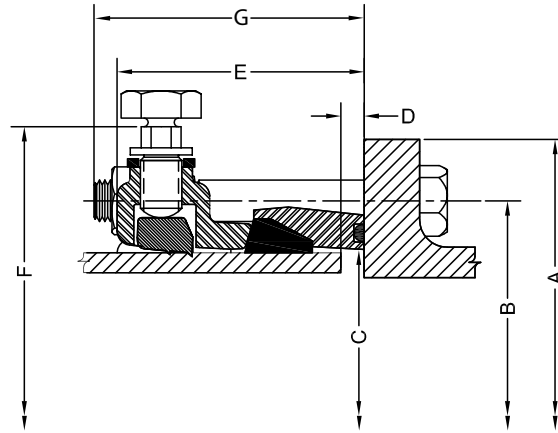
STAR® PIPE PRODUCTS



# Super Flange™ series 7200

Designed for use on Ductile Iron, Steel, PVC, PVCO and HDPE Pipes

## TECHNICAL INFORMATION



Please check size

SUPER FLANGE™ 7200 SPECIFICATIONS*											
NOM. SIZE	A	B	C	D MAX.	E	F	G	BOLTS		MAXIMUM JOINT DEFLECTION°	APPROX. WT. (LBS)
								SIZE	QTY.		
3	7.50	6.00	4.09	0.70	4.06	7.95	4.75	5/8 X 5 1/2	4	5.0°	13
4	9.00	7.50	4.93	0.60	4.18	9.22	4.56	5/8 X 5 1/2	8	5.0°	20
6	11.00	9.50	7.03	0.80	4.43	11.32	5.00	3/4 X 6	8	5.0°	29
8	13.50	11.75	9.18	0.90	4.60	13.29	4.88	3/4 X 6	8	5.0°	35
10	16.00	14.25	11.23	1.00	4.62	15.50	6.31	7/8 X 7 1/2	12	3.0°	60
12	19.00	17.00	13.33	1.00	4.75	17.50	6.25	7/8 X 7 1/2	12	3.0°	72
14	21.00	18.75	15.45	1.30	5.13	19.54	6.62	1 X 8	12	2.0°	89
16	23.50	21.25	17.55	1.30	5.18	21.64	6.56	1 X 8	16	2.0°	110
18	25.00	22.75	19.65	1.30	5.23	23.74	6.94	1 1/8 X 8 1/2	16	1.5°	140
20	27.50	25.00	21.75	1.30	5.24	25.84	6.81	1 1/8 X 8 1/2	20	1.5°	165
24	32.00	29.50	25.95	1.30	5.28	30.04	6.62	1 1/4 X 8 1/2	20	1.0°	198
30	38.75	36.00	32.18	2.00	6.00	36.58	7.88	1 1/4 X 10	28	1.0°	362
36	46.00	42.75	38.48	2.00	6.00	42.88	8.12	1 1/2 X 10 1/2	32	1.0°	541
** 42	53.00	49.50	44.68	2.00	8.00	50.80	9.38	1 1/2 X 12	36	1.0°	---
** 48	59.50	56.00	50.98	2.00	8.00	57.10	9.25	1 1/2 X 12	44	1.0°	---

\* All dimensions in inches except where indicated.

\*\* Contact Star Pipe Products for price and availability.

Continue to next page for more  
TECHNICAL INFORMATION >>

STAR® PIPE PRODUCTS



# Super Flange™ series 7200

Designed for use on Ductile Iron, Steel, PVC, PVCO and HDPE Pipes

**TECHNICAL INFORMATION (cont'd)**

**TABLE A. Maximum Working Pressure Rating with Occasional or Recurring Surges in PSI for Pipes Made to a CIOD Diameter Regimen**

NOM. SIZE (IN)	ACTUAL PLASTIC PIPE OD	DUCTILE IRON	AWWA C900/C905 PVC					AWWA C909 PVCO	AWWA C906 HDPE*					
			DR14	DR18	DR21	DR25	DR32.5	PC235	DR 7.3	DR 9	DR 9.3	DR11	DR13.5	DR17
3	3.96	350	-	-	-	-	-	-	-	-	-	-	-	-
4	4.80	350	305	235	-	165	-	235	254	200	193	160	130	100
6	6.90	350	305	235	-	165	-	235	254	200	193	160	130	100
8	9.05	350	305	235	-	165	-	235	254	200	193	160	130	100
10	11.10	350	305	235	-	165	-	***	254	200	193	160	130	100
12	13.20	350	305	235	-	165	-	200	254	200	193	160	130	100
14	15.30	350	305	235	200	165	125	165	-	200	193	160	130	100
16	17.40	350	305	235	200	165	125	165	-	-	-	160	-	-
18	19.50	300	-	235	200	165	125	150	-	-	-	160	-	-
20	21.60	250	-	235	200	165	125	-	-	-	-	-	-	-
24	25.80	200	-	-	200	165	125	-	-	-	-	-	-	-
30	32.00	150	-	-	-	-	-	-	-	-	-	-	-	-
36	38.30	150	-	-	-	-	-	-	-	-	-	-	-	-
**	42	44.50	-	-	-	-	-	-	-	-	-	-	-	-
**	48	50.80	-	-	-	-	-	-	-	-	-	-	-	-

\* A stainless steel pipe stiffener (provided by others) is required for the Series 7200 to be installed on HDPE pressure pipe. The stiffener must be installed in the HDPE pipe before installing the Series 7200. The stainless steel pipe stiffener must be of sufficient length to support the full bearing length of the restrainer.

\*\* Contact Star Pipe Products for price and availability.

\*\*\* The Series 7200 is not recommended for 10-inch AWWA C909 PVCO pressure pipe.

**TABLE B. Maximum Working Pressure Rating with Occasional or Recurring Surges in PSI for Pipes Made to an IPS Diameter Regimen**

NOM. SIZE (IN)	ACTUAL PLASTIC PIPE OD*	STEEL PIPE	ASTM D2241 PVC			AWWA C901 and AWWA C906 HDPE**					
			SDR17	SDR21	SDR26	DR 7.3	DR 9	DR 9.3	DR 11	DR 13.5	DR 17
3	3.50	350	250	200	160	254	200	-	160	130	100
4	4.50	350	250	200	160	254	200	193	160	130	100
6	6.63	350	250	200	160	254	200	193	160	130	100
8	8.63	350	250	200	160	254	200	193	160	130	100
10	10.75	350	250	200	160	254	200	193	160	130	100
12	12.75	350	250	200	160	254	200	193	160	130	100

\* A transition gasket is required for use with pipes made to an IPS diameter regimen.

\*\* A stainless steel pipe stiffener (provided by others) is required for the Series 7200 to be installed on HDPE pressure pipe. The stiffener must be installed in the HDPE pipe before installing the Series 7200. The stainless steel pipe stiffener must be of sufficient length to support the full bearing length of the restrainer.

STAR® PIPE PRODUCTS