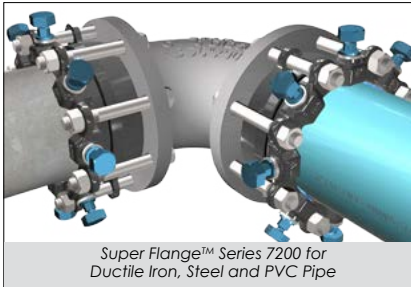


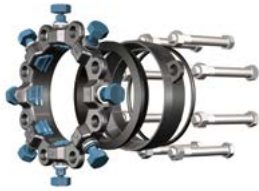


Super Flange™ series 7200

Designed for use on Ductile Iron, Steel and PVC Pipes



Super Flange™ Series 7200 for Ductile Iron, Steel and PVC Pipe



SUBMITTAL INFORMATION

PROJECT NAME:

ENGINEER:

CONTRACTOR:

SPEC. SECTION:



FEATURES & ADVANTAGES

- Versatile product designed for adapting ductile iron (3"-48"), PVC (3"-24") & steel (3"-12") pipe to flange connections.
- 350 psi maximum pressure rating on ductile iron pipe and rated to the maximum pressure rating of PVC pipe
- Joint deflection up to 5° maximum
- Allows for field flanged ends on plain end pipe
- Flange meets ANSI Class 125/150 and ANSI/AWWA C115/A21.15 drill pattern.
- Includes restraint gland, flange adapter ring, gaskets and hex head bolts/nuts
- Super Flange™ sizes 3"-12" are listed with Underwriters Laboratories Inc. and Underwriters Laboratories of Canada for ductile iron and steel pipe.
- Super Flange™ sizes 4" – 12" are approved by Factory Mutual Research for use on C900 PVC pipe DR18 Class 235 at 150 psi and sizes 4"-10" on DR14 Class 305 at 200 psi.

MATERIAL SPECIFICATIONS:

- Restraint Gland: Ductile Iron per ASTM A536, Grade 65-45-12
- Restraint Gland Finish: Starbond™ TGIC polyester powder coating applied by an electrostatic spray process
- Wedges: Ductile Iron per ASTM A536, Grade 65-45-12 heat treated to a minimum of 370 BHN
- Wedge Finish: Thermally cured fluoropolymer epoxy coating
- Flange adapter ring: coated with fusion bonded epoxy that meets ANSI/NSF 61
- MJ gasket and O-ring flange gasket are made from styrene butadiene rubber (SBR) per ANSI/AWWA C111/A-21.11.

GASKET TYPE (Please check one):

- Standard: MJ Gasket
- Option: Transition Gasket (3" to 12" only)

MJ GASKET MATERIAL OPTIONS (Please check one):

- Standard: Styrene butadiene rubber (SBR) per ANSI/AWWA C111/A-21.11
- Optional: EPDM
- Optional: NITRILE
- Other (specify) _____

HARDWARE OPTIONS (Please check one):

- Standard: hex head bolts and nuts are manufactured in accordance with ASTM A307, Grade B and ASTM A563 - bolts and nuts are also zinc plated.
- Optional: hex head bolts and nuts alloy SS 304 per ASTM F593 and ASTM A194
- Optional: hex head bolts and nuts alloy SS 316 per ASTM F593 and ASTM A194
- Optional: hex head bolts and nuts Fluoropolymer Star-Blue coated

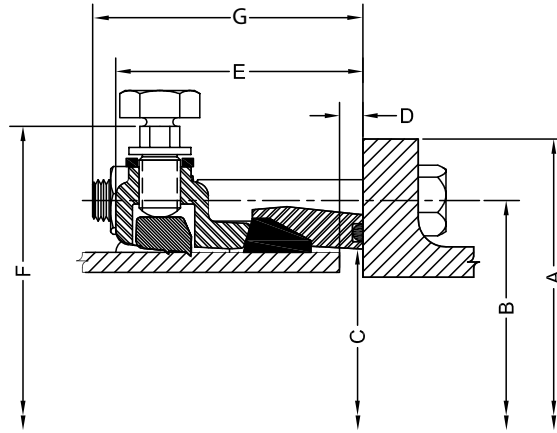
STAR® PIPE PRODUCTS



Super Flange™ series 7200

Designed for use on Ductile Iron, Steel and PVC Pipes

TECHNICAL INFORMATION



Please check size

SUPER FLANGE™ 7200 SPECIFICATIONS*											
NOM. SIZE	A	B	C	D MAX.	E	F	G	BOLTS		MAXIMUM JOINT DEFLECTION°	APPROX. WT. (LBS)
								SIZE	QTY.		
3	7.50	6.00	4.09	0.70	4.06	7.95	4.75	5/8 X 5 1/2	4	5.0°	13
4	9.00	7.50	4.93	0.60	4.18	9.22	4.56	5/8 X 5 1/2	8	5.0°	20
6	11.00	9.50	7.03	0.80	4.43	11.32	5.00	3/4 X 6	8	5.0°	29
8	13.50	11.75	9.18	0.90	4.60	13.29	4.88	3/4 X 6	8	5.0°	35
10	16.00	14.25	11.23	1.00	4.62	15.50	6.31	7/8 X 7 1/2	12	3.0°	60
12	19.00	17.00	13.33	1.00	4.75	17.50	6.25	7/8 X 7 1/2	12	3.0°	72
14	21.00	18.75	15.45	1.30	5.13	19.54	6.62	1 X 8	12	2.0°	89
16	23.50	21.25	17.55	1.30	5.18	21.64	6.56	1 X 8	16	2.0°	110
18	25.00	22.75	19.65	1.30	5.23	23.74	6.94	1 1/8 X 8 1/2	16	1.5°	140
20	27.50	25.00	21.75	1.30	5.24	25.84	6.81	1 1/8 X 8 1/2	20	1.5°	165
24	32.00	29.50	25.95	1.30	5.28	30.04	6.62	1 1/4 X 8 1/2	20	1.0°	198
30	38.75	36.00	32.18	2.00	6.00	36.58	7.88	1 1/4 X 10	28	1.0°	362
36	46.00	42.75	38.48	2.00	6.00	42.88	8.12	1 1/2 X 10 1/2	32	1.0°	541
** 42	53.00	49.50	44.68	2.00	8.00	50.80	9.38	1 1/2 X 12	36	1.0°	---
** 48	59.50	56.00	50.98	2.00	8.00	57.10	9.25	1 1/2 X 12	44	1.0°	---

* All dimensions in inches except where indicated.
 ** Contact Star Pipe Products for price and availability.

NOM. SIZE (IN)	MAXIMUM WORKING PRESSURE RATING WITH OCCASSIONAL & RECURRING SURGES ¹										
	DUCTILE IRON	STEEL PIPE ²	C900/C905 PVC PIPE				IPS PVC PIPE (ASTM D2241) ²				
			DR14	DR18	DR25	DR32.5	SDR17	SDR21	SDR26		
3	350	350	-	-	-	-	-	250	200	160	
4	350	350	305	235	165	-	-	250	200	160	
6	350	350	305	235	165	-	-	250	200	160	
8	350	350	305	235	165	-	-	250	200	160	
10	350	350	305	235	165	-	-	250	200	160	
12	350	350	305	235	165	-	-	250	200	160	
14	350	-	305	235	165	125	-	-	-	-	
16	350	-	305	235	165	125	-	-	-	-	
18	300	-	-	235	165	125	-	-	-	-	
20	250	-	-	235	165	125	-	-	-	-	
24	200	-	-	-	165	125	-	-	-	-	
30	150	-	-	-	-	-	-	-	-	-	
36	150	-	-	-	-	-	-	-	-	-	
** 42	-	-	-	-	-	-	-	-	-	-	
** 48	-	-	-	-	-	-	-	-	-	-	

¹ - All Pressure ratings are in PSI
² - Transition Gasket required

STAR® PIPE PRODUCTS