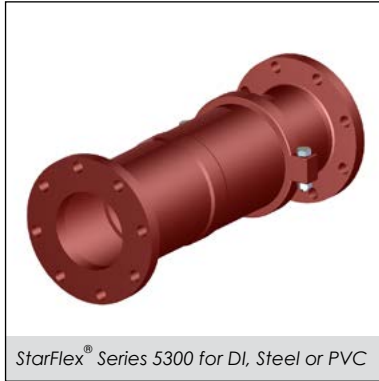




# StarFlex® series 5300

Flexible Expansion Joint  
for the Protection of Water Wastewater, and Industrial Pipelines



StarFlex® Series 5300 for DI, Steel or PVC

### SUBMITTAL INFORMATION

PROJECT NAME:

ENGINEER:

CONTRACTOR:

SPEC. SECTION:



### FEATURES & ADVANTAGES

- Each StarFlex™ is coated inside and outside with 15 mils of Fusion Bonded Epoxy that is NSF compliant.
- Every unit is pressurized and cycled while maintaining 350 PSI on sizes 3" - 24", 250 PSI on sizes 30" and above.
- Each unit is shipped in a cradle at its preset position, but can be adjusted to the desired dimension in the field.
- All sizes have external EPDM rubber boots to prevent debris from entering the sealing areas.
- Pressure seals are EPDM. Maximum operating temperature is 175° F.
- The StarFlex™ may be used on ductile iron, steel, HDPE or PVC pipe.
- Flanged outlets are dimensioned according to ANSI/AWWA C110/A21.11 which is also equal to ASME B16.1 Class 124 & ASME B16.5 Class 150 without a raised face.
- NSF61 Approved Fusion Bonded Epoxy coating is used in wetted areas.

**Note:** Starflex™ series 5000, 5100 and 5300 flexible expansion joints are designed to expand when internally pressurized. End thrust generated from expansion of the Starflex™ under internal pressure must be accommodated in the piping system design.

### MATERIAL SPECIFICATIONS:

- All cast components are made entirely of Ductile Iron per ASTM A536, Grade 65-45-12
- All fasteners are Type 304 Stainless Steel.

STAR® PIPE PRODUCTS





**StarFlex® series 5300**

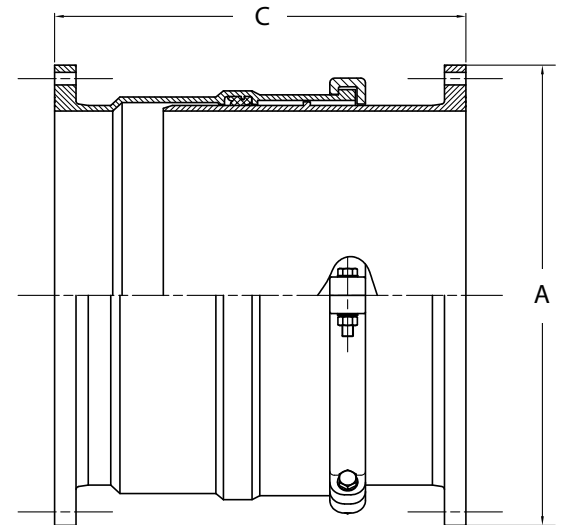
Flexible Expansion Joint

for the Protection of Water, Wastewater, and Industrial Pipelines

STAR® PIPE PRODUCTS

Please check sizes:

| STARFLEX® 5300 SPECIFICATIONS* |        |                        |            |              |
|--------------------------------|--------|------------------------|------------|--------------|
| NOM. SIZE                      | A (OD) | EXPANSION <sup>1</sup> | C (LENGTH) | WEIGHT (LBS) |
| 3                              | 7.50   | +2 /-2                 | 18.90      | 47           |
|                                | 7.50   | +4 /-4                 | 32.68      | 75           |
|                                | 7.50   | +6 /-6                 | 46.46      | 103          |
|                                | 7.50   | +8 /-8                 | 60.24      | 131          |
| 4                              | 9.00   | +2 /-2                 | 19.29      | 63           |
|                                | 9.00   | +4 /-4                 | 33.07      | 99           |
|                                | 9.00   | +6 /-6                 | 46.85      | 134          |
|                                | 9.00   | +8 /-8                 | 60.63      | 170          |
| 6                              | 11.00  | +2 /-2                 | 19.69      | 90           |
|                                | 11.00  | +4 /-4                 | 33.46      | 141          |
|                                | 11.00  | +6 /-6                 | 47.24      | 192          |
|                                | 11.00  | +8 /-8                 | 61.02      | 243          |
| 8                              | 13.50  | +2 /-2                 | 20.47      | 126          |
|                                | 13.50  | +4 /-4                 | 34.25      | 190          |
|                                | 13.50  | +6 /-6                 | 48.03      | 255          |
|                                | 13.50  | +8 /-8                 | 61.81      | 319          |
| 10                             | 16.00  | +2 /-2                 | 21.46      | 173          |
|                                | 16.00  | +4 /-4                 | 35.63      | 251          |
|                                | 16.00  | +6 /-6                 | 49.80      | 328          |
|                                | 16.00  | +8 /-8                 | 63.98      | 406          |
| 12                             | 19.00  | +2 /-2                 | 22.05      | 213          |
|                                | 19.00  | +4 /-4                 | 36.22      | 306          |
|                                | 19.00  | +6 /-6                 | 50.39      | 398          |
|                                | 19.00  | +8 /-8                 | 64.57      | 490          |
| 14                             | 21.00  | +4 /-4                 | 33.86      | 424          |
|                                | 21.00  | +8 /-8                 | 62.20      | 701          |
|                                | 21.00  | +18 /-6                | 90.55      | 978          |
| 16                             | 23.50  | +4 /-4                 | 34.06      | 500          |
|                                | 23.50  | +8 /-8                 | 62.01      | 817          |
|                                | 23.50  | +18 /-6                | 89.96      | 1134         |
| 18                             | 25.00  | +4 /-4                 | 34.65      | 554          |
|                                | 25.00  | +8 /-8                 | 62.20      | 904          |
|                                | 25.00  | +18 /-6                | 89.76      | 1254         |
| 20                             | 27.50  | +4 /-4                 | 35.43      | 655          |
|                                | 27.50  | +8 /-8                 | 62.60      | 1049         |
|                                | 27.50  | +18 /-6                | 89.76      | 1445         |
| 24                             | 32.00  | +4 /-4                 | 36.61      | 871          |
|                                | 32.00  | +8 /-8                 | 63.19      | 1366         |
|                                | 32.00  | +18 /-6                | 89.76      | 1861         |
| 30                             | 38.75  | +5 /-5                 | 45.77      | 1690         |
|                                | 38.75  | +10 /-10               | 77.76      | 2758         |
|                                | 38.75  | +15 /-15               | 109.74     | 3826         |
| 36                             | 46.00  | +5 /-5                 | 47.74      | 2314         |
|                                | 46.00  | +10 /-10               | 80.12      | 3668         |
|                                | 46.00  | +15 /-15               | 112.50     | 5023         |
| 48                             | 64.59  | +6 /-6                 | 53.15      | **           |



\* All dimensions in inches except where indicated.

\*\* Contact Star for details.

<sup>1</sup> For units of expansion that are not listed, please contact your Star® Pipe representative.