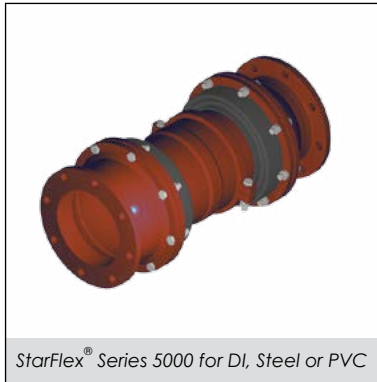




# StarFlex<sup>®</sup> series 5000

Double-Ball Flexible Expansion Joint  
for the Protection of Water Wastewater, and Industrial Pipelines



StarFlex<sup>®</sup> Series 5000 for DI, Steel or PVC

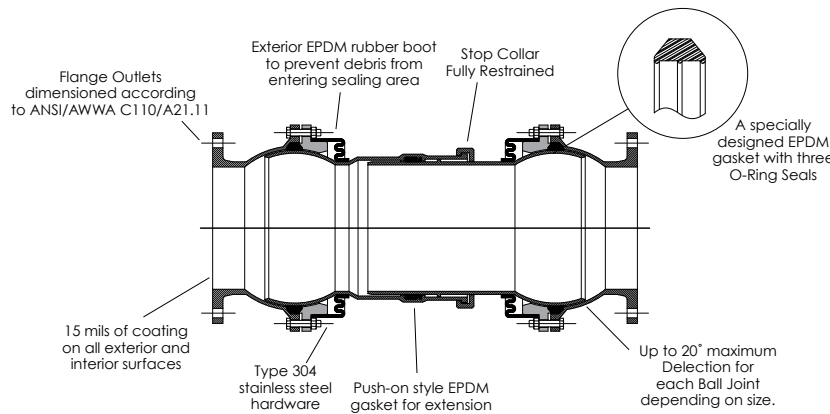
### SUBMITTAL INFORMATION

PROJECT NAME:

ENGINEER:

CONTRACTOR:

SPEC. SECTION:



### FEATURES & ADVANTAGES

- Each StarFlex™ is coated inside and outside with 15 mils of Fusion Bonded Epoxy that is NSF compliant.
- Each ball on the StarFlex™ can deflect a minimum of 20 degrees for 3"-10", 18 degrees for 12", 15 degrees for 14"-24", 14 degrees for 30", 13.5 degrees for 36" and 13 degrees for 42"-48".
- Every unit is pressurized and cycled while maintaining 350 PSI on sizes 3" - 24", 250 PSI on sizes 30" and above.
- Each unit is shipped in a cradle at its preset position, but can be adjusted to the desired dimension in the field.
- All sizes have external EPDM rubber boots to prevent debris from entering the sealing areas.
- Pressure seals are EPDM. Maximum operating temperature is 175° F.
- The StarFlex™ may be used on ductile iron, steel, HDPE or PVC pipe.
- Flanged outlets are dimensioned according to ANSI/AWWA C110/A21.11 which is also equal to ASME B16.1 Class 125 & ASME B16.5 Class 150 without a raised face.
- NSF61 Approved Fusion Bonded Epoxy coating is used in wetted areas.

**Note:** Starflex™ series 5000 and 5100 flexible expansion joints are designed to expand when internally pressurized. End thrust generated from expansion of the Starflex™ under internal pressure must be accommodated in the piping system design.

### MATERIAL SPECIFICATIONS:

- All cast components are made entirely of Ductile Iron per ASTM A536, Grade 65-45-12
- All fasteners are Type 304 Stainless Steel.

REV.11-1



® REGISTERED TRADEMARK OF STAR PIPE PRODUCTS

STAR<sup>®</sup> PIPE PRODUCTS  
HOUSTON CORPORATE | TOLL FREE 1-800-999-3009 | FAX 281-558-9000  
www.starpipeproducts.com

STAR<sup>®</sup> PIPE PRODUCTS



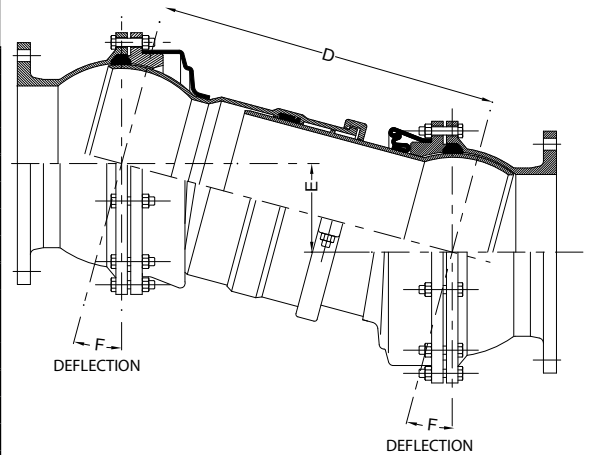
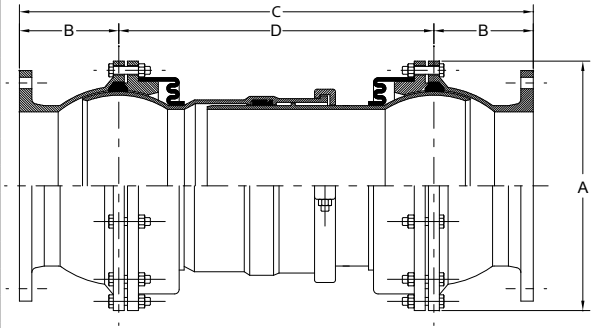
**StarFlex<sup>®</sup> series 5000**

Double-Ball Flexible Expansion Joint  
for the Protection of Water, Wastewater, and Industrial Pipelines

STAR<sup>®</sup> PIPE PRODUCTS

Please check sizes:

STARFLEX <sup>®</sup> 5000 SPECIFICATIONS*									
NOM. SIZE	F	A (OD)	B	EXPANSION <sup>1</sup>	C	D	E (OFF SET)		APPROX WT. (LBS)
							Min	Max	
3	20°	9.69	5.31	+2 /-2	29.52	18.90	5.78	7.15	109
	20°	9.69	5.31	+4 /-4	39.37	28.75	8.46	11.20	132
4	20°	10.87	5.91	+2 /-2	32.28	20.46	6.31	7.68	141
	20°	10.87	5.91	+4 /-4	42.13	30.31	9.00	11.73	173
	20°	10.87	5.91	+6 /-6	51.97	40.15	11.68	15.78	196
	20°	10.87	5.91	+8 /-8	61.82	50.00	14.36	19.84	219
6	20°	13.11	5.91	+2 /-2	33.46	21.64	6.72	8.09	202
	20°	13.11	5.91	+4 /-4	43.70	31.88	9.54	12.27	256
	20°	13.11	5.91	+6 /-6	53.54	41.72	12.22	16.32	290
	20°	13.11	5.91	+8 /-8	63.39	51.57	14.90	20.37	323
	20°	13.11	5.91	+12 /-12	83.07	71.25	20.26	28.47	402
	20°	13.11	5.91	+12 /-12	83.07	71.25	20.26	28.47	402
8	20°	15.31	6.3	+2 /-2	35.83	23.23	7.26	8.63	273
	20°	15.31	6.3	+4 /-4	45.67	33.07	9.94	12.68	342
	20°	15.31	6.3	+6 /-6	55.51	42.91	12.62	16.73	386
	20°	15.31	6.3	+8 /-8	65.36	52.76	15.31	20.78	430
	20°	15.31	6.3	+12 /-12	85.04	72.44	20.67	28.88	518
10	20°	17.32	6.69	+2 /-2	37.79	24.41	7.66	9.03	331
	20°	17.32	6.69	+4 /-4	47.24	33.86	10.21	12.95	428
	20°	17.32	6.69	+6 /-6	57.09	43.71	12.90	17.00	483
	20°	17.32	6.69	+8 /-8	66.93	53.55	15.58	21.05	536
	20°	17.32	6.69	+12 /-12	86.61	73.23	20.94	29.15	659
12	18°	19.76	7.87	+2 /-2	41.34	25.60	7.29	8.53	463
	18°	19.76	7.87	+4 /-4	52.36	36.62	10.08	12.55	575
	18°	19.76	7.87	+6 /-6	62.20	46.46	12.50	16.21	639
	18°	19.76	7.87	+8 /-8	72.05	56.31	14.93	19.87	703
	18°	19.76	7.87	+12 /-12	91.73	75.99	19.77	27.19	849
14	15°	22.56	9.06	+4 /-4	55.51	37.39	8.64	10.71	839
	15°	22.56	9.06	+6 /-6	65.75	47.63	10.77	13.88	998
	15°	22.56	9.06	+8 /-8	75.59	57.47	12.80	16.94	1095
	15°	22.56	9.06	+12 /-12	108.27	90.15	20.23	26.44	1288
16	15°	24.69	9.45	+4 /-4	57.09	38.19	8.85	10.92	969
	15°	24.69	9.45	+6 /-6	66.93	48.03	10.88	13.98	1148
	15°	24.69	9.45	+8 /-8	79.92	61.02	13.72	17.86	1258
	15°	24.69	9.45	+12 /-12	99.61	80.71	17.78	24.00	1507
18	15°	26.81	10.24	+4 /-4	59.45	38.97	9.05	11.12	1080
	15°	26.81	10.24	+6 /-6	69.69	49.21	11.18	14.29	1305
	15°	26.81	10.24	+8 /-8	81.50	61.02	13.72	17.86	1430
	15°	26.81	10.24	+12 /-12	110.63	90.15	20.23	26.44	1761
20	15°	28.94	11.02	+4 /-4	61.81	39.77	9.26	11.33	1251
	15°	28.94	11.02	+6 /-6	72.05	50.01	11.39	14.50	1538
	15°	28.94	11.02	+8 /-8	83.07	61.03	13.73	17.87	1686
	15°	28.94	11.02	+12 /-12	112.20	90.16	20.23	26.44	1980
24	15°	33.15	11.42	+4 /-4	63.78	40.94	9.56	11.63	1672
	15°	33.15	11.42	+6 /-6	74.02	51.18	11.69	14.80	2029
	15°	33.15	11.42	+8 /-8	88.19	65.35	14.84	18.98	2216
	15°	33.15	11.42	+12 /-12	119.69	96.85	21.96	28.17	2606
30	14°	44.49	15.16	+6 /-6	90.75	60.43	13.17	16.07	4291
	14°	44.49	15.16	+12 /-12	120.28	89.96	18.86	24.67	5060
36	13.5°	50.51	16.54	+6 /-6	95.87	62.79	13.26	16.06	5437
	13.5°	50.51	16.54	+12 /-12	137.40	104.32	21.55	27.15	6633
48	13°	64.49	19.02	+6 /-6	107.72	69.68	14.32	17.02	9049
	13°	64.49	19.02	+12 /-12	142.36	104.32	20.77	26.17	10536



\*Dimensions "C" & "D" are factory set position.  
\*All dimensions in inches except where indicated.  
<sup>1</sup>For units of expansion that are not listed, please contact your Star<sup>®</sup> Pipe representative.

