



Flange Adapters series 400

For Steel (3"-12") and Ductile Iron (3"-36") Pipe - Flange Drilling ANSI B16.1 125 lbs
Working Pressure: 3"-12" 250 PSI, 14"-24" 150 PSI, 30"-36" 100 PSI



Flange Adapter Series 400 for Steel and Ductile Iron Pipe

SUBMITTAL INFORMATION

PROJECT NAME:

ENGINEER:

CONTRACTOR:

SPEC. SECTION:



FEATURES & ADVANTAGES

- Sizes 3"-12" are Underwriters Laboratories Inc. Listed at 200 PSI for 3"-8" sizes and 175 PSI for 10"-12" sizes. For use on PC350 ductile iron and SCH40 steel pipe.
- Bolt hole drilling is to ANSI B16.1 class 125.
- Uses standard mechanical joint gasket for seal on DI Pipe and Transition Gasket on steel pipe.
- Pipe fabrication can be done on site, using plain end pipe.
- Flange Adapters are ideal for jobs involving retro-fitting.
- Can be used on Ductile Iron (3"-36") and Steel (3"-12") Pipe -- steel pipe sizes require a transition gasket.
- Can be used in above or below ground applications
- If future maintenance is required, Flange Adapters can be easily disassembled.

MATERIAL SPECIFICATIONS:

- Gland: Ductile Iron per ASTM A536, Grade 65-45-12
- Retainer set screws are made from medium carbon alloy steel through hardened, quenched and tempered to hardness of rockwell C43-53.

GASKET OPTIONS (Please check one):

Standard: SBR Gasket

Optional: Transition Gasket (for Steel Pipe)



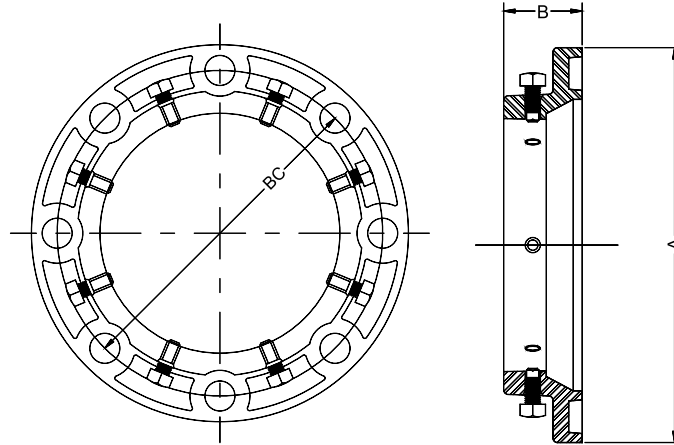
STAR® PIPE PRODUCTS



Flange Adapters series 400

For Steel (3"-12") and Ductile Iron (3"-36") Pipe - Flange Drilling ANSI B16.1 125 lbs

TECHNICAL INFORMATION



FLANGE ADAPTER 400 SPECIFICATIONS*

Please check sizes:

NOM. SIZE	DUCTILE PIPE O.D.	STEEL PIPE* O.D.	APPROX. WT. (LBS)	A	B	BC	BOLT HOLE DIA.	SET SCREWS	
								QTY	SIZE
3	3.96	3.50	5.84	7.50	2.00	6.00	3/4	4	1/2 x 1 1/4
4	4.80	4.50	8.12	9.00	2.07	7.50	3/4	4	1/2 x 1 1/4
6	6.90	6.63	11.05	11.00	2.19	9.50	7/8	8	1/2 x 1 1/4
8	9.05	8.63	17.13	13.50	2.31	11.75	7/8	8	5/8 x 1 1/2
10	11.10	10.75	25.15	16.00	2.50	14.25	1	12	5/8 x 1 1/2
12	13.20	12.75	34.38	19.00	2.50	17.00	1	12	5/8 x 1 1/2
14	15.30	N/A	53.00	21.00	2.75	18.75	1 1/8	12	5/8 x 1 1/2
16	17.40	N/A	69.00	23.50	2.75	21.25	1 1/8	16	5/8 x 1 1/2
18	19.50	N/A	76.00	25.00	3.25	22.75	1 1/4	16	3/4 x 2
20	21.60	N/A	95.00	27.50	3.25	25.00	1 1/4	20	3/4 x 2
24	25.80	N/A	131.00	32.00	3.69	29.50	1 3/8	20	3/4 x 2
30	32.00	N/A	206.00	38.75	4.25	36.00	1 3/8	28	1 x 2 1/4
36	38.30	N/A	300.00	46.00	4.38	42.75	1 5/8	32	1 x 2 1/4

*All dimensions in inches except where indicated.

Notes:

+ Transition gasket required on steel pipe.

STAR® PIPE PRODUCTS

