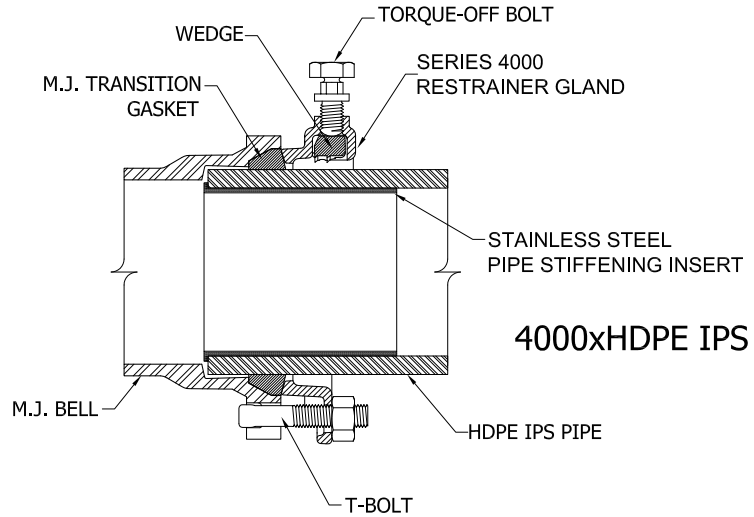
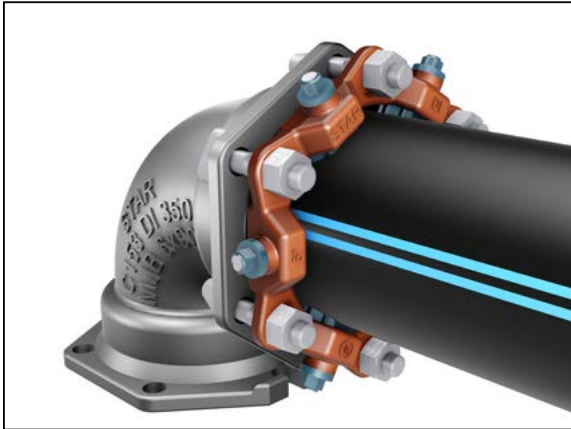




PVC StarGrip[®] Series 4000 Restrainer

FOR USE ON HDPE PIPE WITH IPS OD



FEATURES & BENEFITS

- Designed for Restraining MJ Fittings with IPS HDPE pipe per ANSI/AWWA C901 and C906
- MJ transition gasket required on IPS HDPE pipe 12" and down
- Castings made of Ductile Iron per ASTM A536, Grade 65-45-12
- Pressure rating equal to full pressure rating of the pipe as listed below, derated as required for service temperature, per ANSI/AWWA C906, Table 10
- Minimum 2:1 safety factor
- Maintains full 5° deflection through 12"
- T-Bolts/Hex Nuts: High Strength Low Alloy Steel Per ANSI/AWWA C111/A21.11
- Series 4000 Restrainer is intended for underground use only

PRESSURE RATINGS FOR HDPE PIPE WITH IRON PIPE SIZE O.D.

Nominal Size	HDPE PIPE OD	Maximum Pressure Ratings (PSI)				T-Bolt Torque (LB.-FT.)
		DR 11	DR 9.3	DR 9	DR 7.3	
3"	3.50	160	N/A	200	254	75-90
4"	4.50	160	193	200	254	75-90
6"	6.63	160	193	200	254	75-90
8"	8.63	160	193	200	254	75-90
10"	10.75	160	193	200	254	75-90
12"	12.75	160	193	200	254	75-90

NOTES

- Stainless Steel Pipe Stiffeners (Not supplied by STAR) must be installed in the HDPE pipe before assembling PVC Stargrip.
- Pipe Stiffeners must be of sufficient length to support the full bearing length of the restrainer.
- Installation requires T-Bolt torque values to be applied as indicated above.
- Installation and testing to be in accordance with ANSI/AWWA C600

