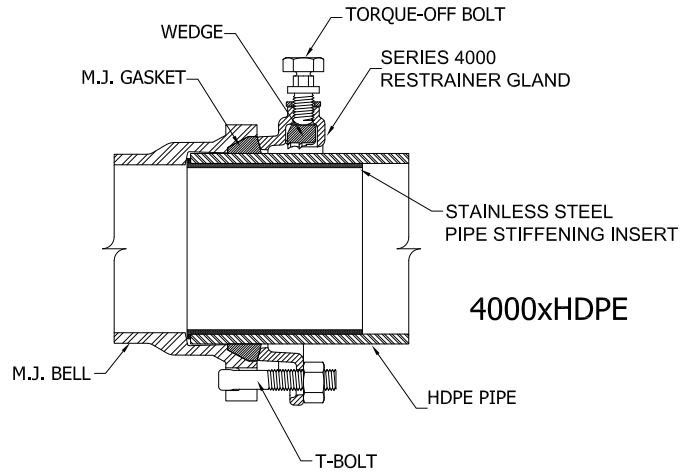
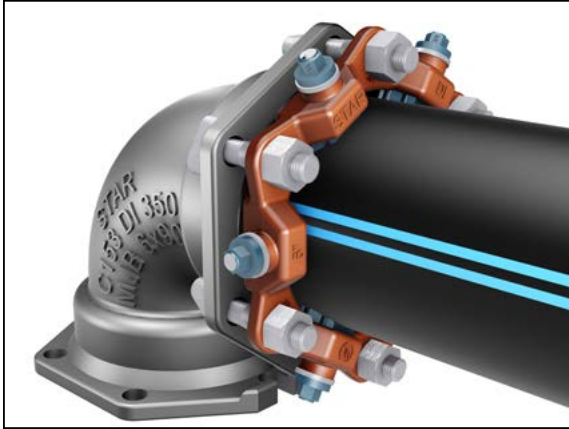




PVC StarGrip® Series 4000 Restrainer

FOR USE ON HDPE PIPE WITH C.I. OD



FEATURES & BENEFITS

- Designed for Restraining Mechanical Joint Fittings with HDPE pipe per ANSI/AWWA C906
- Castings made of Ductile Iron per ASTM A536, Grade 65-45-12
- Pressure rating equal to full pressure rating of the pipe as listed below, derated as required for service temperature, per ANSI/AWWA C906, Table 10
- Minimum 2:1 safety factor
- Maintains full 5° deflection through 12" and 3° deflection for 14" - 18" on Mechanical Joints
- T-Bolts/Hex Nuts: High Strength Low Alloy Steel Per ANSI/AWWA C111/A21.11
- Series 4000 Restrainer is intended for underground use only

PRESSURE RATINGS FOR HDPE PIPE WITH C.I. OD

Nominal Size	HDPE PIPE OD	Maximum Pressure Ratings (PSI)				T-Bolt Torque (LB.-FT.)
		DR 11	DR 9.3	DR 9	DR 7.3	
4"	4.80	160	193	200	254	75-90
6"	6.90	160	193	200	254	75-90
8"	9.05	160	193	200	254	75-90
10"	11.10	160	193	200	254	75-90
12"	13.20	160	193	200	254	75-90
14"	15.30	160	193	200	-	75-90
16"	17.40	160	-	-	-	75-90
18"	19.50	160	-	-	-	75-90

NOTES

- Stainless Steel Pipe Stiffeners (Not supplied by STAR) must be installed in the HDPE pipe before assembling PVC StarGrip.
- Pipe Stiffeners must be of sufficient length to support the full bearing length of the restrainer.
- Installation requires T-Bolt torque values to be applied as indicated above.
- Installation and testing to be in accordance with ANSI/AWWA C600

