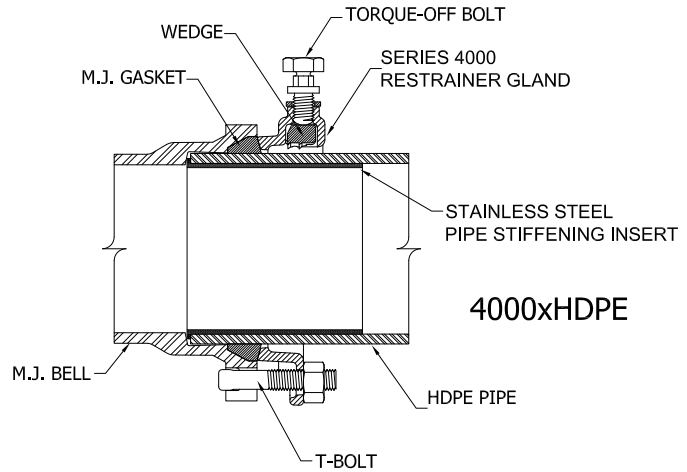
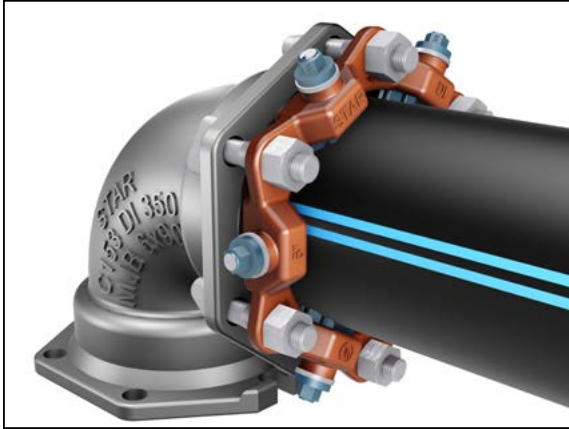




PVC StarGrip® Series 4000 Restrainer

FOR USE ON HDPE PIPE WITH C.I. OD



FEATURES & BENEFITS

- Designed for Restraining Mechanical Joint Fittings with HDPE pipe per ANSI/AWWA C906
- Castings made of Ductile Iron per ASTM A536, Grade 65-45-12
- Pressure rating equal to full pressure rating of the pipe as listed below, derated as required for service temperature, per ANSI/AWWA C906, Table 10
- Minimum 2:1 safety factor
- Maintains full 5° deflection through 12" and 3° deflection for 14" - 18" on Mechanical Joints
- T-Bolts/Hex Nuts: High Strength Low Alloy Steel Per ANSI/AWWA C111/A21.11
- Series 4000 Restrainer is intended for underground use only

PRESSURE RATINGS FOR HDPE PIPE WITH C.I. OD

| Nominal Size | HDPE PIPE OD | Maximum Pressure Ratings (PSI) | | | | T-Bolt Torque (LB.-FT.) |
|--------------|--------------|--------------------------------|--------|------|--------|-------------------------|
| | | DR 11 | DR 9.3 | DR 9 | DR 7.3 | |
| 4" | 4.80 | 160 | 193 | 200 | 254 | 75-90 |
| 6" | 6.90 | 160 | 193 | 200 | 254 | 75-90 |
| 8" | 9.05 | 160 | 193 | 200 | 254 | 75-90 |
| 10" | 11.10 | 160 | 193 | 200 | 254 | 75-90 |
| 12" | 13.20 | 160 | 193 | 200 | 254 | 75-90 |
| 14" | 15.30 | 160 | 193 | 200 | - | 75-90 |
| 16" | 17.40 | 160 | - | - | - | 75-90 |
| 18" | 19.50 | 160 | - | - | - | 75-90 |

NOTES

- Stainless Steel Pipe Stiffeners (Not supplied by STAR) must be installed in the HDPE pipe before assembling PVC StarGrip.
- Pipe Stiffeners must be of sufficient length to support the full bearing length of the restrainer.
- Installation requires T-Bolt torque values to be applied as indicated above.
- Installation and testing to be in accordance with ANSI/AWWA C600