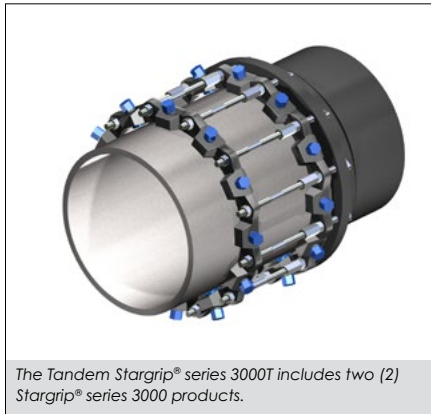




Tandem Stargrip® series 3000T

For High Pressure DI Pipe to MJ Fitting Applications



The Tandem Stargrip® series 3000T includes two (2) Stargrip® series 3000 products.

SUBMITTAL INFORMATION

PROJECT NAME:

ENGINEER:

CONTRACTOR:

SPEC. SECTION:



FEATURES & ADVANTAGES

- The Wedge Assembly is designed with a Break-Off Torque Control Nut that will only break off in one direction, ensuring proper installation.
- The Stargrip® offers a full 5° deflection through 12" size, 3° on 14"-24", 2° on 30"-36" and 1° on 42"-48".
- Minimum safety factor of 2:1
- The Wedge Assembly is designed to fit specific pipe sizes and is field repairable.
- No special tools are required for installation of the Stargrip®.
- Stargrip® may also be used on steel pipe* up to 12" (***transition gasket required on 12" and under**). For 14" and larger steel applications, contact Star Pipe.

MATERIAL SPECIFICATIONS:

- Gland: Ductile Iron per ASTM A536, Grade 65-45-12
- Wedges: Ductile Iron per ASTM A536, Grade 65-45-12 heat treated to a minimum of 370 BHN
 - ♦ Wedge Finish: Thermally cured fluoropolymer epoxy coating

GLAND FINISH OPTIONS (Please check one):

- Standard: alkyd enamel coating
- Optional: Starbond™ TGIC polyester powder coating applied by an electrostatic spray process
- Optional: Other (specify) _____

COUNTRY OF ORIGIN OPTION (Please check one):

- Import
- Domestic - AIS Compliant

HARDWARE OPTIONS (Please check one):

- Standard: T-bolts and bolt rods are high strength low alloy steel manufactured in accordance with ANSI/AWWA C111/A21.11-00
- Optional: T-bolts, bolt rods, and nuts alloy SS 304 per ASTM F593
- Optional: T-bolts, bolt rods, and nuts alloy SS 316 per ASTM F593
- Optional: T-bolts, bolt rods and nuts Fluoropolymer Star-Blue coated high strength low alloy steel manufactured in accordance with ANSI/AWWA C111/A21.11-00

STAR® PIPE PRODUCTS

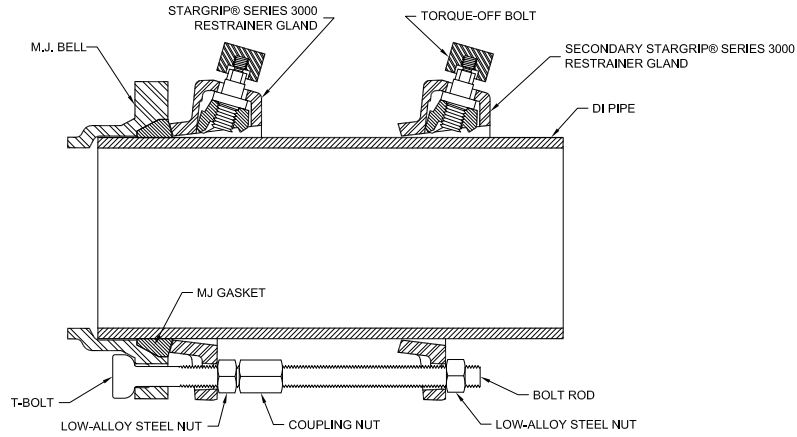




Tandem Stargrip® series 3000T

For High Pressure DI Pipe to MJ Fitting Applications

TECHNICAL INFORMATION



STAR® PIPE PRODUCTS

Please check sizes:

| DATA FOR HIGH PRESSURE STARGRIP® ASSEMBLY | | | | | | | |
|---|------------|-----------------------|---------------|---------------|------------------------|----------------------------|------|
| NOM. SIZE | DI PIPE OD | PRESSURE RATING (PSI) | BOLT ROD SIZE | T-BOLT SIZE | T-BOLT TORQUE (FT-LBS) | COUPLING NUT-GRADE 5 STEEL | WT |
| 3 | 3.96 | 700 | 5/8 x 6 | 5/8 x 4 | 45-60 | 5/8 x 2 1/8 | 18 |
| 4 | 4.80 | 700 | 3/4 x 12 | 3/4 x 4 1/2 | 75-90 | 3/4 x 2 1/4 | 28 |
| 6 | 6.90 | 700 | 3/4 x 12 | 3/4 x 4 1/2 | 75-90 | 3/4 x 2 1/4 | 41 |
| 8 | 9.05 | 700 | 3/4 x 12 | 3/4 x 4 1/2 | 75-90 | 3/4 x 2 1/4 | 49 |
| 10 | 11.10 | 600 | 3/4 x 12 | 3/4 x 4 1/2 | 75-90 | 3/4 x 2 1/4 | 69 |
| 12 | 13.20 | 600 | 3/4 x 12 | 3/4 x 5 | 75-90 | 3/4 x 2 1/4 | 88 |
| 14 | 15.30 | 500 | 3/4 x 12 | 3/4 x 5 | 90-110 | 3/4 x 2 1/4 | 141 |
| 16 | 17.40 | 500 | 3/4 x 12 | 3/4 x 5 | 90-110 | 3/4 x 2 1/4 | 159 |
| 18 | 19.50 | 350 | 3/4 x 12 | 3/4 x 5 | 120-140 | 3/4 x 2 1/4 | 177 |
| 20 | 21.60 | 350 | 3/4 x 12 | 3/4 x 5 1/2 | 120-140 | 3/4 x 2 1/4 | 191 |
| 24 | 25.80 | 350 | 3/4 x 12 | 3/4 x 5 1/2 | 120-140 | 3/4 x 2 1/4 | 294 |
| 30 | 32.00 | 300 | 1 x 12 | 1 x 6 1/2 | 120-140 | 1 x 2 3/4 | 520 |
| 36 | 38.30 | 300 | 1 x 12 | 1 x 7 1/2 | 120-140 | 1 x 2 3/4 | 616 |
| 42 | 44.50 | 300 | 1 1/4 x 12 | 1 1/4 x 8 1/2 | 120-150 | 1 1/4 x 3 | 1118 |
| 48 | 50.80 | 300 | 1 1/4 x 12 | 1 1/4 x 8 1/2 | 120-150 | 1 1/4 x 3 | 1357 |

**All dimensions in inches except where indicated.*

Notes:

- For applications with vertical offsets, please contact Star Pipe Products for technical assistance.