



Oversized Stargrip® series 3000S

Mechanical Joint Wedge Action Restraint
for A, B, C & D Pit Cast Pipe
Patent #5,772,252



Stargrip® series 3000S

SUBMITTAL INFORMATION

PROJECT NAME:

ENGINEER:

CONTRACTOR:

SPEC. SECTION:



FEATURES & ADVANTAGES

- The bore (ID) of the oversized Stargrip® series 3000OS has been increased to accommodate Class A, B, C, & D pit cast pipe.
- The Wedge Assembly is designed with a Break-Off Torque Control Nut that will only break off in one direction, ensuring proper installation.
- The Stargrip® offers a full 5° deflection through 12" size, 3° on 14"-16".
- Minimum safety factor of 2:1
- The Wedge Assembly is designed to fit specific pipe sizes and is field repairable.
- No special tools are required for installation of the Stargrip®.
- Stargrip® eliminates tie rods and thrust blocks.

MATERIAL SPECIFICATIONS:

- Gland: Ductile Iron per ASTM A536, Grade 65-45-12
- Wedges: Ductile Iron per ASTM A536, Grade 65-45-12 heat treated to a minimum of 370 BHN
 - ♦ Wedge Finish: Thermally cured fluoropolymer epoxy coating

GLAND FINISH OPTIONS (Please check one):

Standard: alkyd enamel coating

Optional: Starbond™ TGIC polyester powder coating applied by an electrostatic spray process

Optional: Other (specify) _____

HARDWARE OPTIONS (Please check):

Standard: T-bolts are high strength low alloy steel manufactured in accordance with ANSI/AWWA C111/A21.11-00

Optional: T-bolts and nuts alloy SS 304 per ASTM F593

Optional: T-bolts and nuts alloy SS 316 per ASTM F593

Optional: T-bolts and nuts Fluoropolymer Star-Blue coated high strength low alloy steel manufactured in accordance with ANSI/AWWA C111/A21.11-00

COUNTRY OF ORIGIN OPTION (Please check one):

Import

100% Domestic¹

Domestic gland with import components¹

(¹Please see [Domestic Restraint Options Available](#) on our website.)

REV.13-1



® REGISTERED TRADEMARK OF STAR PIPE PRODUCTS

STAR® PIPE PRODUCTS
HOUSTON CORPORATE | TOLL FREE 1-800-999-3009 | FAX 281-558-9000
www.starpipeproducts.com

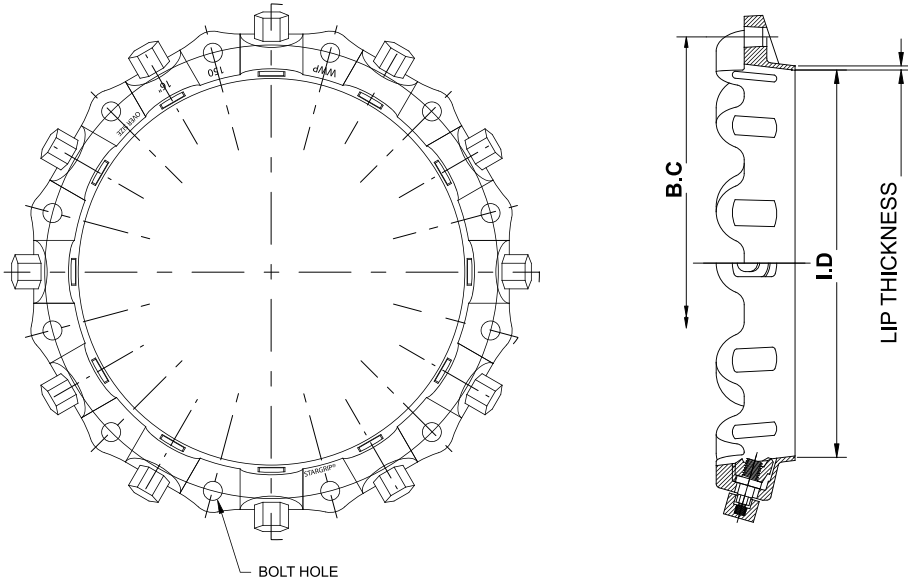
STAR® PIPE PRODUCTS



Oversized Stargrip® series 3000S

Mechanical Joint Wedge Action Restraint
for A, B, C & D Pit Cast Pipe
Patent #5,772,252

TECHNICAL INFORMATION



STARGRIP® 3000S SPECIFICATIONS*

Please check sizes:

NOM. SIZE	MAX PRESSURE RATING (PSI)	B.C. DIAMETER	BOLT HOLES	NOMINAL GLAND I.D.	LIP THICKNESS	APPROX WT. (LBS)
4	250	7.50	4 x 7/8	5.10	0.32	8
6	250	9.50	6 x 7/8	7.20	0.32	12
8	250	11.75	6 x 7/8	9.40	0.29	16
10	250	14.00	8 x 7/8	11.50	0.27	24
12	250	16.25	8 x 7/8	13.60	0.27	34
14	150	18.75	10 x 7/8	15.75	0.23	49
16	150	21.00	12 x 7/8	17.90	0.21	56

*All dimensions in inches except where indicated.

STAR® PIPE PRODUCTS

