



Flange Adapters series 200

For Steel (3"-12") and Ductile Iron (3"-12") Pipe - Flange Drilling ANSI B16.1 125 lbs
Working Pressure: 3"-8" 200 PSI, 10"-12" 175 PSI



Flange Adapter Series 200 for Steel and Ductile Iron Pipe

SUBMITTAL INFORMATION

PROJECT NAME:

ENGINEER:

CONTRACTOR:

SPEC. SECTION:



FEATURES & ADVANTAGES

- Sizes 3"-12" are Underwriters Laboratories Inc. Listed at 200 PSI for 3"-8" sizes and 175 PSI for 10"-12" sizes. For use on PC350 ductile iron and SCH40 steel pipe.
- Bolt hole drilling is to ANSI B16.1 class 125.
- Uses standard mechanical joint gasket for seal on DI Pipe and Transition Gasket on steel pipe.
- Pipe fabrication can be done on site, using plain end pipe.
- Flange Adapters are ideal for jobs involving retro-fitting.
- Can be used on Ductile Iron (3"-12") and Steel (3"-12") Pipe -- steel pipe sizes require a transition gasket.
- Can be used in above or below ground applications
- If future maintenance is required, Flange Adapters can be easily disassembled.

MATERIAL SPECIFICATIONS:

- Gland: Ductile Iron per ASTM A536, Grade 65-45-12
- Retainer set screws are made from medium carbon alloy steel through hardened, quenched and tempered to hardness of rockwell C43-53.

GASKET OPTIONS (Please check one):

Standard: SBR Gasket

Optional: Transition Gasket (for Steel Pipe)

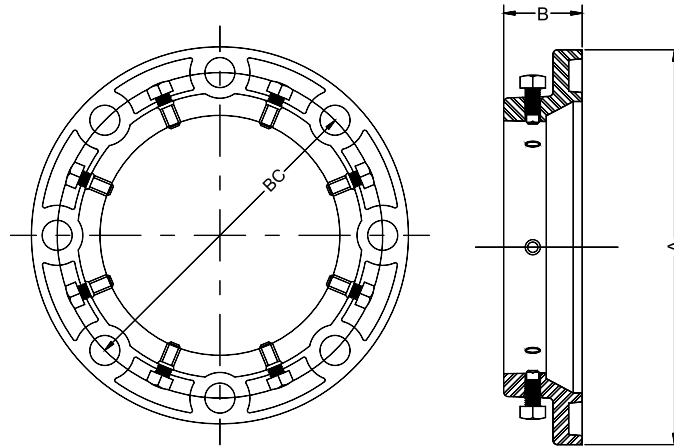
STAR® PIPE PRODUCTS



Flange Adapters series 200

For Steel (3"-12") and Ductile Iron (3"-36") Pipe - Flange Drilling ANSI B16.1 125 lbs

TECHNICAL INFORMATION



FLANGE ADAPTER 200 SPECIFICATIONS*									
NOM. SIZE	DUCTILE PIPE O.D.	STEEL PIPE O.D.	APPROX WT. (LBS)	A	B	BC	BOLT HOLE DIA.	SET SCREWS	
								QTY	SIZE
3	3.96	3.50	5.84	7.50	2.00	6.00	3/4	4	1/2 x 1 1/4
4	4.80	4.50	8.12	9.00	2.07	7.50	3/4	4	1/2 x 1 1/4
6	6.90	6.63	11.05	11.00	2.19	9.50	7/8	8	1/2 x 1 1/4
8	9.05	8.63	17.13	13.50	2.31	11.75	7/8	8	5/8 x 1 1/2
10	11.10	10.75	25.15	16.00	2.50	14.25	1	12	5/8 x 1 1/2
12	13.20	12.75	34.38	19.00	2.50	17.00	1	12	5/8 x 1 1/2

Please check sizes:

*All dimensions in inches except where indicated.

Notes:

* Transition gasket required on steel pipe.

STAR® PIPE PRODUCTS