



# StarFlange™ series 3200

Restrained Adapter Flange Coupling  
for Ductile Iron Pipe



StarFlange™ Series 3200 for Ductile Iron Pipe

### SUBMITTAL INFORMATION

PROJECT NAME:

ENGINEER:

CONTRACTOR:

SPEC. SECTION:



### FEATURES & ADVANTAGES

- Provides flexibility to accommodate pipe misalignment
- No special tools required for installation
- Fully restrained to pressure rating of pipe with a 2:1 safety factor
- Pipe end does not need to be square cut.
- Flange meets ANSI Class 125/150 and ANSI/AWWA C115/A21.15 drill pattern.
- MJ gasket and O-ring flange gasket are made from styrene butadiene rubber (SBR) per ANSI/AWWA C111/A-21.11.
- Includes Stargrip®, Flange Adapter, MJ Gasket, O-Ring gasket and low alloy steel T-bolts
- StarFlange™ size 3"-12" are listed with Underwriters Laboratories Inc. and approved by Factory Mutual Research (FM).
- May also be used on steel pipe\* up to 12" (**\*transition gasket required on 12" and under**). For 14" and larger steel applications, contact Star Pipe.

### MATERIAL SPECIFICATIONS:

- Gland: Ductile Iron per ASTM A536, Grade 65-45-12
- Wedges: Ductile Iron per ASTM A536, Grade 65-45-12 heat treated to a minimum of 370 BHN
  - ♦ Wedge Finish: Thermally cured fluoropolymer epoxy coating
- O-Ring: Styrene butadiene rubber (SBR) per ANSI/AWWA C111/A-21.11
- Adapter: Ductile Iron per ASTM A536, Grade 65-45-12
  - ♦ Adapter Finish: Fusion Bond Epoxy (FBE) coating

### HARDWARE OPTIONS (Please check one):

Standard: T-bolts are high strength low alloy steel manufactured in accordance with ANSI/AWWA C111/A21.11-00

Optional: T-bolts and nuts alloy SS 304 per ASTM F593

Optional: T-bolts and nuts alloy SS 316 per ASTM F593

Optional: T-bolts and nuts Fluoropolymer Star-Blue coated high strength low alloy steel manufactured in accordance with ANSI/AWWA C111/A21.11-00

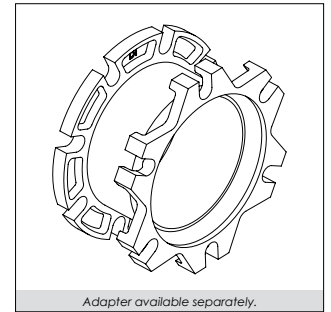
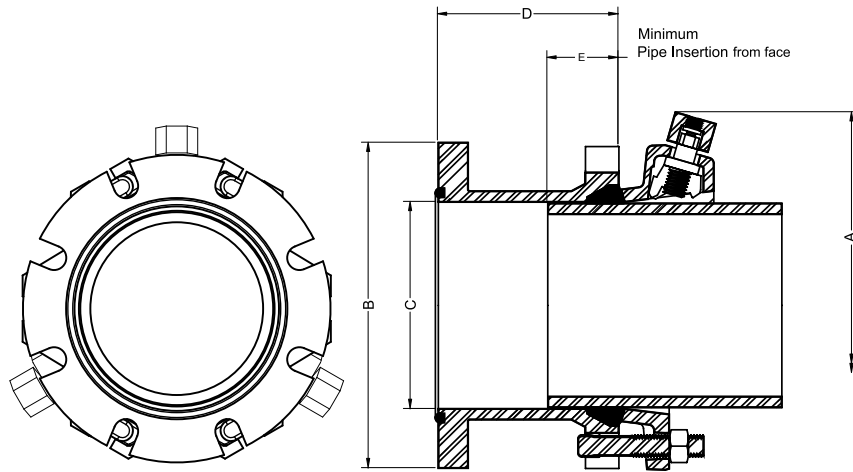
STAR® PIPE PRODUCTS



# StarFlange™ series 3200

Restrained Adapter Flange Coupling  
for Ductile Iron Pipe

TECHNICAL INFORMATION



Adapter available separately.

Please check sizes:

STARFLANGE™ 3200 SPECIFICATIONS*									
NOM. SIZE	MAX PRESSURE RATING (PSI)	A	A W/NUTS TWISTED OFF	B	C	D	E	'MAX. JOINT DEFLECTION°	APPROX WT. (LBS)
3	350	9.85	8.45	7.50	4.06	3.88	2.13	5°	19
4	350	11.06	9.28	9.00	4.90	4.35	2.13	5°	27
6	350	13.06	11.38	11.00	7.00	5.25	2.50	5°	40
8	350	15.25	13.53	13.50	9.15	5.25	2.50	5°	52
10	350	17.25	15.58	16.00	11.20	5.62	2.50	3°	71
12	350	19.50	12.68	19.00	13.30	5.69	2.50	3°	98
14	350	21.25	19.82	21.00	15.44	6.67	3.00	2°	133
16	350	23.34	21.92	23.50	17.54	6.79	3.00	2°	162
18	250	26.40	24.84	25.00	19.64	7.40	3.00	1.5°	196
20	250	28.56	27.00	27.50	21.74	7.41	3.00	1.5°	229
24	250	33.86	32.30	32.00	25.94	7.90	3.00	1°	328
30	250	40.12	38.56	38.75	32.17	8.50	3.00	1°	508
36	250	46.42	44.86	46.00	38.47	9.00	3.00	1°	659

\*All dimensions in inches except where indicated.  
1 - Deflection attained at minimum pipe insertion.

**Notes:**

- For applications with vertical offsets, please contact Star Pipe Products for technical assistance.
- Pressure ratings shall not exceed the maximum pressure rating of the ductile iron pipe it is installed on.

