



Pipe Restrainers series 1200

1200C Restrainers for PVC Pipe and PVC Pressure Fittings
w/Ductile Iron Pipe OD



1200C Restrainers for C900/C905 PVC Pipe.

SUBMITTAL INFORMATION

PROJECT NAME:

ENGINEER:

CONTRACTOR:

SPEC. SECTION:



FEATURES & ADVANTAGES

- 360° contact, no pipe distortion or point loading
- Restrainers work with either
 - PC235 psi molded AWWA C907 PVC pressure fittings or
 - PR235 psi fabricated PVC pressure fittings.
- All restrainers are machined to exact tolerances.
- Rated at 150 PSI with a 2:1 safety factor
- Supports wall of pipe with 360 degree contact
- Can be installed outside the trench, to ease installation
- Clamping Bolts: SAE J429 Grade5



1200C on PVC Fitting

MATERIAL SPECIFICATIONS:

- Restrainer Castings: Ductile Iron per ASTM A536, Grade 65-45-12

PIPE RESTRAINER:

SERIES 1200C

(Bell Restrainers for AWWA C900 PVC Pipe to PVC Pressure Fitting)

RESTRAINER CASTINGS FINISH OPTIONS (Please check one):

Standard: alkyd enamel coating

Optional: Starbond™ TGIC polyester powder coating applied by an electrostatic spray process

Optional: Other (specify) _____

COUNTRY OF ORIGIN:

Import only

HARDWARE OPTIONS (Please check one):

STANDARD:

- Clamp Bolt: SAE J429 Grade 5
- Clamp Nut: SAE J995 Grade 2 or ASTM A563 Grade "A" or "B"
- Restraint Bolt/Rod/Nut: High strength low alloy steel per ANSI/AWWA C111/A21.11
- Washer: carbon steel per ASTM F844

OPTIONAL SS ALLOY 304:

- Clamp Bolt: SS alloy 304 per ASTM A193 Grade B8, Class 2
- Clamp Nut: SS alloy 304 per ASTM A194 Grade 8, S1
- Restraint Bolt/Rod: SS alloy 304 per ASTM F593 CW
- Restraint Nut: SS alloy 304 per ASTM F594 CW
- Washer: SS alloy 304

OPTIONAL SS ALLOY 316:

- Clamp Bolt: SS alloy 316 per ASTM A193 Grade B8M, Class 2
- Clamp Nut: SS alloy 316 per ASTM A194 Grade 8M, S1
- Restraint Bolt/Rod: SS alloy 316 per ASTM F593 CW
- Restraint Nut: SS alloy 316 per ASTM A194 Grade 8M
- Washer: SS alloy 316

OPTIONAL STAR BLUE:

- Clamp Bolt: Fluoropolymer Star Blue coated SAE J429 Grade 5
- Clamp Nut: Fluoropolymer Star Blue coated SAE J995 Grade 2 or ASTM A563 Grade "A" or "B"
- Restraint Bolt/Rod/Nut: Fluoropolymer Star Blue coated high strength low alloy steel per ANSI/AWWA C111/A21.11
- Washer: Fluoropolymer Star Blue coated carbon steel per ASTM F844



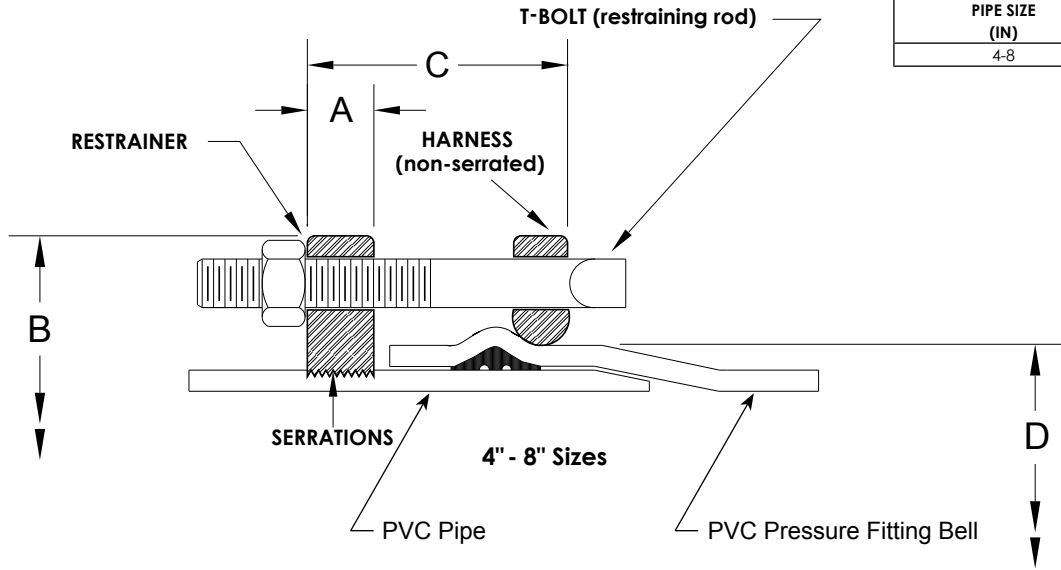
STAR® PIPE PRODUCTS



Pipe Restrainers series 1200

1200C Restrainers for PVC Pipe and PVC Pressure Fittings w/Ductile Iron Pipe OD

TECHNICAL INFORMATION



| PIPE SIZE (IN) | RANGE OF TORQUE (FT-LBS) |
|----------------|--------------------------|
| 4-8 | 90-110 |

PIPE RESTRAINERS 1200 SPECIFICATIONS*

Please check sizes:

| NOM. SIZE ¹ | PVC PIPE WITH DUCTILE IRON PIPE O.D. STYLE 1200C | | PVC FITTING BELL OD "D" | | A | B APPROX. | C MAX. | RESTRAINT BOLTS/RODS | | CLAMPING BOLTS | | APPROX WT. (LBS) |
|------------------------|--------------------------------------------------|-------|-------------------------|------|-------|-----------|--------|----------------------|-----|----------------|------|------------------|
| | O.D. | MIN | MAX | QTY | | | | SIZE | QTY | SIZE | | |
| 4 | 4.80 | 5.44 | 5.61 | 1.12 | 9.29 | 6.00 | 2 | 3/4 x 9 | 4 | 5/8 x 3-1/2 | 13.8 | |
| 6 | 6.90 | 7.84 | 8.03 | 1.15 | 11.13 | 6.00 | 2 | 3/4 x 9 | 4 | 5/8 x 3-1/2 | 17.0 | |
| 8 | 9.05 | 10.29 | 10.55 | 1.47 | 14.76 | 8.00 | 2 | 3/4 x 12 | 4 | 3/4 x 4 | 30.0 | |

*All dimensions in inches except where indicated.

STAR® PIPE PRODUCTS