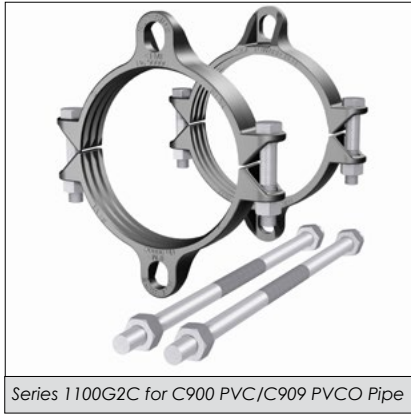




Pipe Restrainers series 1100G2

1100G2C Bell Restrainers for AWWA CI OD C900/C909 PVC/PVCO Pipe Joints
(Formerly Series 9100)



Series 1100G2C for C900 PVC/C909 PVCO Pipe

SUBMITTAL INFORMATION

PROJECT NAME:

ENGINEER:

CONTRACTOR:

SPEC. SECTION:



FEATURES & ADVANTAGES

- 360° contact, no pipe distortion or point loading
- Made of Ductile Iron - ASTM Grade 536, Grade 65-45-12
- Restrainers work with Push-On Pipe Bells.
- For use on 4" - 12" C900 PVC and C909 PVCO pipe.
- All restrainers are machined to exact tolerances.
- The safety factor is twice (2:1) the maximum pressure rating listed on next page.
- Can be installed outside the trench, to ease installation
- Rods/Hex Nuts: low alloy steel per ANSI/AWWA C111/A21.11
- Clamping Bolts: SAE J429 Grade 5
- Series 1100G2 is approved by Factory Mutual Research in sizes 4"- 12" for use on C900 PVC DR18 for 150 PSI.
- Standard color is Graphite Black (RAL 9011).
- Originally introduced as the 9100, this improved design (Gen 2) provides increased performance and is rated to the new, higher pressure classes in latest editions of AWWA C900 and C909*.



Series 1100G2C

MATERIAL SPECIFICATIONS:

- Restraint Castings: Ductile Iron per ASTM A536, Grade 65-45-12

RESTRAINT CASTINGS FINISH OPTIONS (Please check one):

- Standard: alkyd enamel coating
- Optional: Starbond™ TGIC polyester powder coating applied by an electrostatic spray process
- Optional: Other (specify) _____

HARDWARE OPTIONS (Please check):

- Standard: Restraint rods and nuts are high strength low alloy steel manufactured in accordance with ANSI/AWWA C111/A21.11-00
- Optional: Restraint rods and nuts are alloy SS 304 per ASTM F593
- Optional: Restraint rods and nuts are alloy SS 316 per ASTM F593
- Optional: Restraint rods and nuts are Fluoropolymer Star-Blue coated high strength low alloy steel manufactured in accordance with ANSI/AWWA C111/A21.11-00



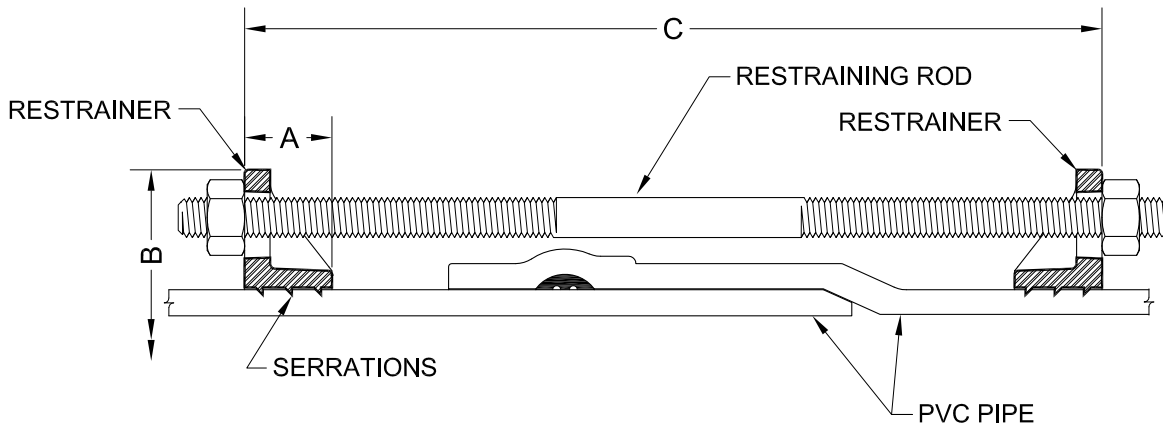
STAR® PIPE PRODUCTS



Pipe Restrainers series 1100G2

1100G2C Bell Restrainers for AWWA CI OD C900/C909 PVC/PVCO Joints
(Formerly Series 9100)

TECHNICAL INFORMATION



4" - 12" Sizes

PIPE RESTRAINERS 1100G2C SPECIFICATIONS*									
NOM. SIZE	PVC/PVCO PIPE WITH DUCTILE IRON PIPE O.D. STYLE 1100G2C O.D.	A	B APPROX.	C MAX.	RESTRAINT RODS		CLAMPING BOLTS		APPROX WT. (LBS)
					QTY	SIZE	QTY	SIZE	
4	4.80	1.44	9.32	15.00	2	3/4 x 17	4	5/8 x 3 1/2	12.63
6	6.90	1.50	11.26	15.00	2	3/4 x 17	4	5/8 x 3 1/2	14.35
8	9.05	2.00	14.76	22.00	2	3/4 x 24	4	3/4 x 4	27.45
10	11.10	2.38	17.26	22.00	4	3/4 x 24	4	7/8 x 5	48.21
12	13.20	2.38	20.00	22.00	4	3/4 x 24	4	7/8 x 5	56.57

Please check sizes:

* All dimensions in inches except where indicated.

MAXIMUM WORKING PRESSURE RATING WITH OCCASSIONAL & RECURRING SURGES				
NOM. SIZE (IN)	C900			C909
	DR14	DR18	DR25	PC 235
4	305	235	165	235
6	305	235	165	235
8	305	235	165	235
10	305	235	165	235
12	305	235	165	235

STAR® PIPE PRODUCTS

