



# 3"-12" MJ x MJ Adapter series 100

For MJ Bell Connections



MJ x MJ Adapter Series 100 for MJ bell connections



### SUBMITTAL INFORMATION

PROJECT NAME:

ENGINEER:

CONTRACTOR:

SPEC. SECTION:

*NOTE: Product is supplied with MJ x MJ adapter, 2 MJ gaskets, T-bolts, pigtail bolts, nuts and spacers.*



### FEATURES & ADVANTAGES

- Provides restraint between MJ valves and MJ fittings or between MJ fittings through the use of our bolt-through design MJ x MJ adapter
- Compact design allows connection of two MJ bells with minimum spacing.
- Maximum distance between MJ connections is 1 3/4 inches.
- 350 psi maximum working pressure
- Product is supplied with MJ x MJ adapter, 2 MJ gaskets, T-bolts, pigtail bolts, nuts and spacers.

### MATERIAL SPECIFICATIONS:

- MJxMJ adapter and spacers are manufactured from high strength ductile iron in accordance with ASTM A536 Grade 65-45-12
- T-Head bolts and pigtail bolts made from low alloy high strength steel per ANSI/AWWA C111/A21.11.
- Standard MJ gaskets are made from styrene butadiene rubber (SBR) per ANSI/AWWA C111/A21.11.

### GASKET OPTIONS (Please check one):

Standard: MJ gasket - Styrene butadiene rubber (SBR) per ANSI/AWWA C111/A-21.11

Optional: EPDM

Optional: NITRILE

Other (specify) \_\_\_\_\_

### HARDWARE OPTIONS (Please check one):

Standard: T-bolts and pigtail bolts are high strength low alloy steel manufactured in accordance with ANSI/AWWA C111/A21.11.

Optional: T-bolts and pigtail bolts and nuts alloy SS 304 per ASTM F593

Optional: T-bolts and pigtail bolts and nuts alloy SS 316 per ASTM F593

Optional: T-bolts and pigtail bolts and nuts Fluoropolymer Star-Blue coated high strength low alloy steel manufactured in accordance with ANSI/AWWA C111/A21.11.

### MJ ADAPTER COATING OPTIONS (Please check one):

Standard: Black asphaltic seal coat inside and out in accordance with ANSI/AWWA C104/A21.04

Optional: Fusion Bonded Epoxy (FBE) inside and out in accordance with ANSI/AWWA C116/A21.6



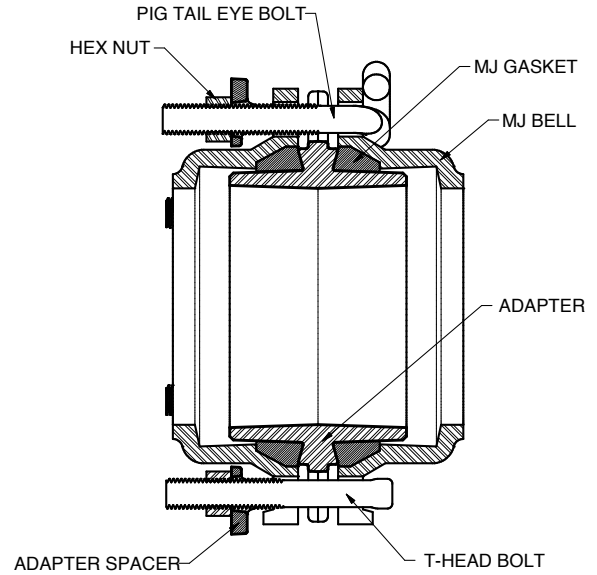
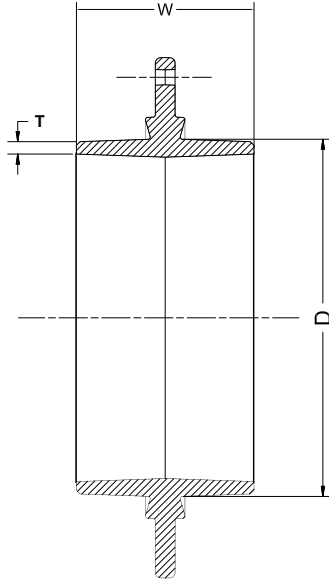
STAR® PIPE PRODUCTS



# 3-12" MJ x MJ Adapter series 100

For MJ Bell Connections

## TECHNICAL INFORMATION



MJ x MJ ADAPTER SPECIFICATIONS\*

NOM. SIZE	T-HEAD BOLT QTY.	PIG TAIL EYE BOLT QTY.	ADAPTER SPACERS QTY.	W	D	T	WT WITH ACCESSORIES (LBS.)
3	4	N/A	4	4.50	3.96	0.29	10
4	4	N/A	4	4.50	4.80	0.31	16
6	4	2	6	4.50	6.90	0.31	23
8	4	2	6	4.50	9.05	0.31	29
10	4	4	8	4.60	11.10	0.34	41
12	4	4	8	4.60	13.20	0.34	45

Please check sizes:

\*All dimensions in inches except where indicated.

STAR® PIPE PRODUCTS