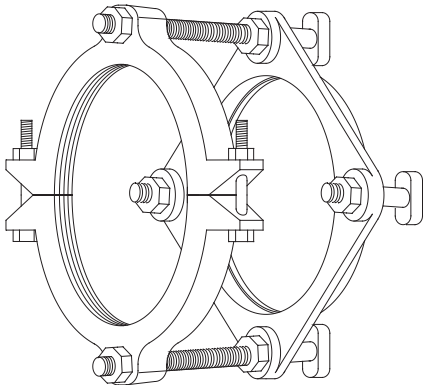


- Sizes 4" through 12" individually packaged
- C900/C905 PVC Restrainers coated black
- Packaged with T-bolts/hex nuts (low alloy steel in accordance with ANSI/AWWA C111/A21.11) and clamping bolts (SAE J429 GRADE 5)
- Approved by Factory Mutual 4" through 10" on DR18 C900 PVC Pipe
- Please contact factory for ductile iron pipe applications

**PVC RESTRAINERS Series 1000C
for C900/C905 PVC Pipe to Fittings**

NOM SIZE	ITEM CODE	CRT QTY	WT	PIPE OD	PRICE
4	PRC1004	300	7	4.80	\$63.50
6	PRC1006	234	9	6.90	78.25
8	PRC1008	132	15	9.05	119.00
10	PRC1010	88	22	11.10	219.50
12	PRC1012	88	24	13.20	235.00
14	PRC1014		55	15.30	411.25
16	PRC1016		62	17.40	450.00
18	PRC1018		78	19.50	500.25
20	PRC1020		113	21.60	754.50
24	PRC1024		145	25.80	919.25
30	PRC1030		247	32.00	2,141.00
36	PRC1036		354	38.30	2,666.25
42	PRC1042		1003	44.50	6,254.50
48	PRC1048		1166	50.80	6,735.25

**PVC RESTRAINERS Series 1000CP
for C900/C905 PVC Pipe to Fittings
with MJ Accessories**



- Sizes 4" through 12" individually packaged
- C900/C905 PVC Restrainers coated black
- Packaged with T-bolts/hex nuts (low alloy steel in accordance with ANSI/AWWA C111/A21.11), clamping bolts (SAE J429 GRADE 5), MJ gland and MJ gasket
- Please contact factory for ductile iron pipe applications

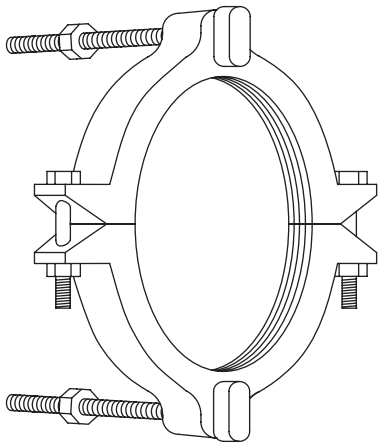
NOM SIZE	ITEM CODE	WT	PIPE OD	PRICE
4	PRCP1004	14	4.80	\$81.00
6	PRCP1006	20	6.90	102.75
8	PRCP1008	27	9.05	143.75
10	PRCP1010	38	11.10	276.50
12	PRCP1012	41	13.20	289.50
14	PRCP1014	78	15.30	420.25
16	PRCP1016	92	17.40	527.25
18	PRCP1018	118	19.50	641.75
20	PRCP1020	168	21.60	778.75
24	PRCP1024	223	25.80	889.00
30	PRCP1030	396	32.00	2,204.50
36	PRCP1036	547	38.30	2,746.50
42	PRCP1042	1242	44.50	11,927.75
48	PRCP1048	1456	50.80	13,528.25

PLEASE CALL:

...FOR SPECIAL COATINGS
(INCLUDING STARBOND)

...FOR STAINLES STEEL &
CORE BLUE ACCESSORIES

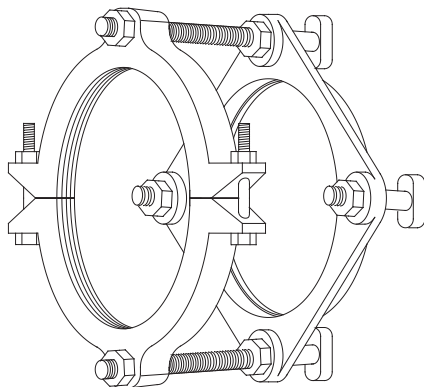




**PVC RESTRAINERS Series 1000S
for IPS PVC Pipe to Mechanical Joint
or Push-On Fittings**

NOM SIZE	ITEM CODE	CRT QTY	WT	PIPE OD	PRICE
4	PRS1004	300	8	4.5	\$64.75
6	PRS1006	234	9	6.625	79.75
8	PRS1008	132	16	8.625	121.00
10	PRS1010	88	21	10.75	222.50
12	PRS1012	88	23	12.75	239.50

- Sizes 4" through 12" individually packaged
- IPS Restrainers coated green
- Packaged with T-bolts/hex nuts (low alloy steel in accordance with ANSI/AWWA C111/A21.11) and clamping bolts (SAE J429 GRADE 5)



**PVC RESTRAINERS Series 1000SP
for IPS PVC Pipe with
MJ Transition Accessories**

NOM SIZE	ITEM CODE	WT	PIPE OD	PRICE
4	PRSP1004	14	4.5	\$82.50
6	PRSP1006	20	6.625	104.50
8	PRSP1008	28	8.625	146.50
10	PRSP1010	38	10.75	284.00
12	PRSP1012	42	12.75	295.00

- Sizes 4" through 12" individually packaged
- IPS Restrainers coated green
- Packaged with T-bolts/hex nuts (low alloy steel in accordance with ANSI/AWWA C111/A21.11), clamping bolts (SAE J429 GRADE 5), MJ gland and MJ transition gasket

PLEASE CALL:

...FOR SPECIAL COATINGS
(INCLUDING STARBOND)

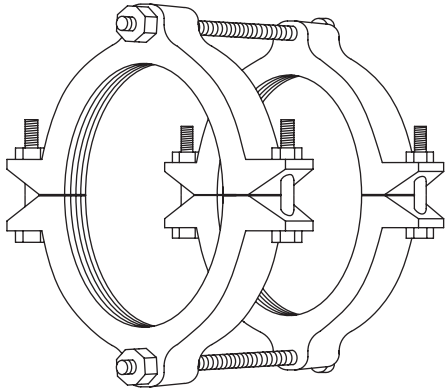
...FOR STAINLES STEEL &
CORE BLUE ACCESSORIES

STAR[®] PIPE PRODUCTS



® REGISTERED TRADEMARK OF STAR PIPE PRODUCTS

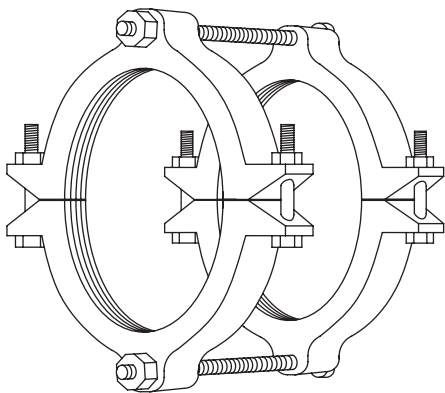
STAR PIPE PRODUCTS
HOUSTON CORPORATE | TOLL FREE 1-800-999-3009 | FAX 281-558-9000
www.starpipeproducts.com



PVC RESTRAINERS Series 1100C for C900/C905 PVC Pipe to Pipe

NOM SIZE	ITEM CODE	CRT QTY	WT	PIPE OD	PRICE
4	PRC1104	130	14	4.80	\$90.00
6	PRC1106	104	18	6.90	116.50
8	PRC1108	66	30	9.05	192.25
10	PRC1110	44	46	11.10	338.75
12	PRC1112	44	50	13.20	364.50
14	PRC1114		145	15.30	765.75
16	PRC1116		117	17.40	861.25
18	PRC1118		147	19.50	953.50
20	PRC1120		221	21.60	1,488.00
24	PRC1124		288	25.80	1,704.00
30	PRC1130		492	32.00	3,454.25
36	PRC1136		753	38.30	4,331.00
42	PRC1142		1916	44.50	9,758.75
48	PRC1148		2242	50.80	10,229.75

- Sizes 4" through 12" individually packaged
- C900/C905 PVC Restrainers coated black
- Packaged with rods/hex nuts (low alloy steel in accordance with ANSI/AWWA C111/A21.11) and clamping bolts (SAE J429 GRADE 5)
- Approved by Factory Mutual 4" through 10" on DR18 C900 PVC Pipe
- Please contact factory for ductile iron pipe applications



PVC RESTRAINERS Series 1100S for IPS PVC Pipe to Pipe

NOM SIZE	ITEM CODE	CRT QTY	WT	PIPE OD	PRICE
4	PRS1104	130	16	4.500	\$93.50
6	PRS1106	104	18	6.625	121.00
8	PRS1108	66	32	8.625	199.50
10	PRS1110	44	44	10.750	351.25
12	PRS1112	44	49	12.750	378.25

- Sizes 4" through 12" individually packaged
- IPS Restrainers coated green
- Packaged with rods/hex nuts (low alloy steel in accordance with ANSI/AWWA C111/A21.11) and clamping bolts (SAE J429 Grade 5)

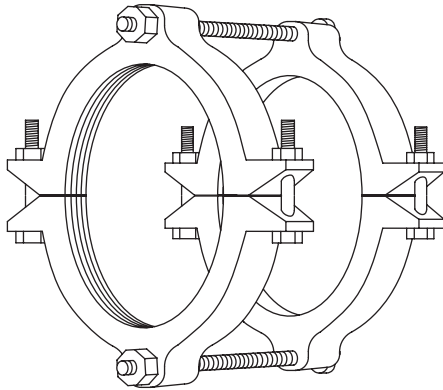
PLEASE CALL:

...FOR SPECIAL COATINGS
(INCLUDING STARBOND)

...FOR STAINLES STEEL &
CORE BLUE ACCESSORIES



**PVC RESTRAINERS Series 1200C
 for C900/C905 PVC Pipe with Split Backup Ring for
 C907 PVC Pressure Fitting Bells**



NOM SIZE	ITEM CODE	CRT QTY	WT	PIPE OD	PRICE
4	PRC1204	130	16	4.80	\$105.00
6	PRC1206	104	19	6.90	141.75
8	PRC1208	66	32	9.05	231.75
10	PRC1210	44	47	11.10	379.50
12	PRC1212	44	52	13.20	444.00
14	PRC1214		110	15.30	CALL
16	PRC1216		120	17.40	CALL
18	PRC1218		150	19.50	CALL
20	PRC1220		230	21.60	CALL
24	PRC1224		290	25.80	CALL
30	PRC1230		547	32.00	CALL
36	PRC1236		597	38.30	CALL

- Sizes 4" through 12" individually packaged
- C900/C905 PVC Restrainers coated black
- Packaged with T-bolts/rods/hex nuts (low alloy steel in accordance with ANSI/AWWA C111/A21.11) and clamping bolts (SAE J429 Grade 5)
- 4" - 12" are sized for DR 18 only
- 8" x 6" and 8" x 4" IPEX tees require larger backup rings to fit the branch
- 14" - 36" items are non-returnable and may be subject to a cancellation fee
- Split back-up rings for series 1200C restrainers are specially built to the specific dimension of the PVC fitting bell
- Please note the dimension ratio (shown as DR 18 or DR 25) of the fitting at the time of order.

PLEASE CALL:

...FOR SPECIAL COATINGS (INCLUDING STARBOND)	...FOR STAINLES STEEL & CORE BLUE ACCESSORIES
---	--

STAR[®] PIPE PRODUCTS



® REGISTERED TRADEMARK OF STAR PIPE PRODUCTS

STAR PIPE PRODUCTS
 HOUSTON CORPORATE | TOLL FREE 1-800-999-3009 | FAX 281-558-9000
 www.starpipeproducts.com