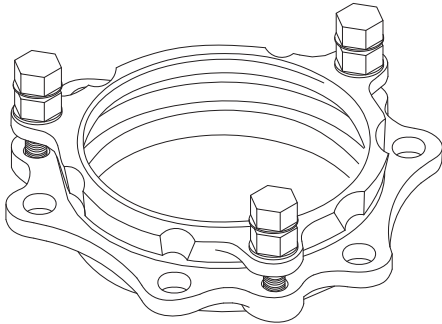




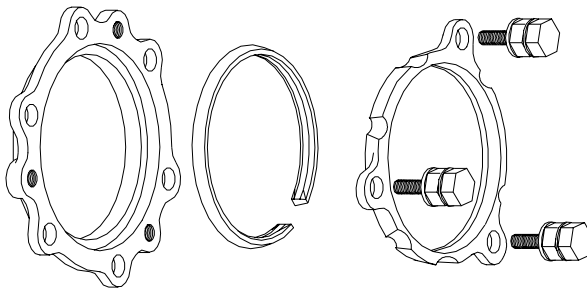
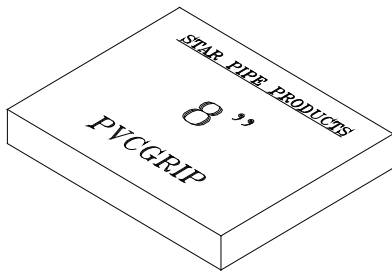
**PVC Ring Lock (PVCGRIP™) Series 3500 Mechanical Joint Restraint  
 for C900/C905 PVC Pipe and IPS PVC Pipe**



NOM SIZE	ITEM CODE	CRT QTY	WT	PRICE
4	PVG04	100	14	\$61.00
6	PVG06	60	16	71.00
8	PVG08	45	22	106.00
10	PVG10	20	31	200.00
12	PVG12	16	42	211.00
16	PVG16	8	73	456.00

- Mechanical Joint Restraint that provides 360° of pipe engagement for restraining action
- Sizes 4"-12" for C900 and IPS PVC pipe
- Sizes 16" for C905 PVC pipe with DI outside diameter only

**PVC Ring Lock (PVCGRIP™) Series 3500 Mechanical Joint Restraint  
 for C900/C905 PVC Pipe and IPS PVC Pipe  
 Packaged With Accessories**



- Packaged with MJ Gasket & low alloy steel T-bolts. Both meet requirements of ANSI/AWWA C111/A21-11
- Contact factory for Custom Packaging with longer bolts, Star Blue bolts and nuts, or with zinc alloy nuts.
- Listed by Underwriters Laboratories 4" through 12" on DR18 C900 PVC Pipe
- Approved by Factory Mutual 4" through 12" on DR18 C900 PVC Pipe

NOM SIZE	C900/C905 PVC PIPE		IPS PVC PIPE		CRT QTY	WT	PRICE
	ITEM CODE	OD	ITEM CODE	OD			
4	PVGPK04	4.8	PVGPKT04	4.5	64	17	\$81.00
6	PVGPK06	6.9	PVGPKT06	6.625	48	21	101.00
8	PVGPK08	9.05	PVGPKT08	8.625	36	27	139.00
10	PVGPK10	11.1	PVGPKT10	10.75	16	39	241.00
12	PVGPK12	13.2	PVGPKT12	12.75	16	50	254.00
16	PVGPK16	15.3	N/A	N/A		83	535.00

**PLEASE CALL FOR SPECIAL COATINGS**

STAR PIPE PRODUCTS

