



JOINT RESTRAINT PRODUCTS  
**DOMESTIC - PRICE LIST**  
**EFFECTIVE MARCH 3, 2014**

\*\*\* PLEASE NOTE \*\*\*

DOMESTIC-JRPL.14.01A represents a price revision on 24" StarGrip Series 3000P, effective April 3, 2014. All other prices remain unchanged at this time.

version: **DOMESTIC-JRPL.14.01A**  
EFFECTIVE: MARCH 3, 2014  
(SUPERSEDES ALL PREVIOUS PRICING)

*PLEASE CALL FOR SPECIAL COATINGS*

**CORONA CALL CENTER (U.S.)**  
Toll Free: (877) 701-7827  
Fax: (951) 898-9561

**HOUSTON CALL CENTER (U.S.)**  
Toll Free: (800) 999-3009  
Fax: (281) 558-9000

**CAMBRIDGE CALL CENTER (CANADA)**  
Toll Free: (888) 893-7827  
Fax: (519) 650-1553



Star Pipe Products  
4018 Westhollow Parkway  
Houston, Texas 77082  
[www.starpipeproducts.com](http://www.starpipeproducts.com)

Corporate Headquarters  
800.999.3009 Toll Free  
281.558.3000 Telephone  
281.558.9000 Fax

# General Terms and Conditions

<b>GENERAL</b>	These terms and conditions shall control with respect to any purchase order or sale of Seller's products. No waiver, alteration or modification of these terms and conditions whether on Buyer's purchase order or otherwise shall be valid unless the waiver, alteration or modification is specifically accepted in writing and signed by an authorized representative of Seller.
<b>DELIVERY</b>	Seller will make every effort to complete delivery of products as indicated on Seller's acceptance of an order, but Seller assumes no responsibility or liability, and will accept no backcharge, for loss or damage due to delay or inability to deliver caused by acts of God, war, labor difficulties, accident, delays of carriers, by contractors or suppliers, inability to obtain materials, shortages of fuel and energy, or any other causes of any kind whatsoever beyond the control of Seller. Seller may terminate any contract of sale of its products without liability of any nature, by written notice to Buyer, in the event that the delay in delivery or performance resulting from any of the aforesaid causes shall continue for a period of sixty (60) days. Under no circumstances shall Seller be liable for any special or consequential damages or for loss, damage, or expense (whether or not based on negligence) directly or indirectly arising from delays or failure to give notice of delay.
<b>WARRANTY</b>	Seller warrants for one year from the date of shipment Seller's manufactured products to the extent that Seller will replace those having defects in material or workmanship when used for the purpose and in the manner which Seller recommends. If Seller's examination shall disclose to its satisfaction that the product is defective, and an adjustment is required, the amount of such adjustment shall not exceed the net sales price of the defective products only and no allowance will be made for labor or expense of repairing or replacing defective product or workmanship or damage resulting from the same. No adjustment shall be implemented unless product in question is returned to seller in its originally installed condition, still connected to other components of the joint. Buyer must contact Seller as quickly as possible so Seller can assess product in its installed condition. No claims will be honored unless claim is made within forty five (45) days of the defect being found. Where engineering design or fabrication work is supplied, Buyer's acceptance of Seller's design or of delivery of work shall relieve Seller of all further obligation, other than expressed in Seller's product warranty. THIS IS SELLER'S SOLE WARRANTY. SELLER MAKES NO OTHER WARRANTY OF ANY KIND, EXPRESSED OR IMPLIED AND ALL IMPLIED WARRANTIES OF MERCHANTABILITY AND FITNESS FOR A PARTICULAR PURPOSE WHICH EXCEED SELLER'S AFORESTATED OBLIGATION ARE HEREBY DISCLAIMED BY SELLER AND EXCLUDED FROM THIS WARRANTY. Seller neither assumes, nor authorizes any person to assume for it, any other obligation in connection with the sale of its engineering designs or product. This warranty shall not apply to any products or parts of products which (a) have been repaired or altered outside of Seller's factory, in any manner; (b) have been subjected to misuse, negligence or accidents; (c) have been used in a manner contrary to Seller's instructions or recommendations. Seller shall not be responsible for design errors due to inaccurate or incomplete information supplied by Buyer or its representatives. This warranty is non-transferable.
<b>LIABILITY</b>	Seller will not be liable for any loss, damage, cost of repairs, incidental or consequential damages of any kind, whether based upon warranty (except for the obligation accepted by Seller under "Warranty" above), contract or negligence, arising in connection with the design, manufacture, sale, use or repair of the products or of the engineering designs supplied to Buyer.
<b>DISCLAIMER</b>	Per AWWA/ANSI C110 A21.10, the flanged joint is generally specified for above ground service. Underground use of the flanged joint is generally not desirable due to the rigidity of the joint.
<b>RETURNS</b>	Seller cannot accept return of any products unless its written permission has been first obtained, in which case same will be credited subject to the following: (a) All material returned must, on its arrival at Seller's plant, be found to be in first-class condition; if not, cost of putting in saleable condition will be deducted from credit memoranda; (b) A handling charge deduction of twenty-five percent (25%) will be made from all credit memoranda issued for material returned; (c) Transportation charges, if not prepaid will be deducted from credit memoranda.
<b>SHIPMENTS</b>	All products sent out will be carefully examined, counted and packed. The cost of any special packing or special handling caused by Buyer's requirements or requests shall be added to the amount of the order. No claim for shortages will be allowed unless made in writing within ten (10) days of receipt of a shipment. Claims for products damaged or lost in transit should be made on the carrier, as Seller's responsibility ceases, and title passes, on delivery to the carrier.
<b>PRODUCTS</b>	Orders covering special or non-standard products are not subject to cancellation except on such terms as Seller may specify on application.
<b>PRICES</b>	Prices and designs are subject to change without notice. All prices are F.O.B. Point of Shipment, unless otherwise stated.
<b>TAXES</b>	The amount of any sales, excise or other taxes, if any, applicable to the products covered by this order, shall be added to the purchase price and shall be paid by Buyer unless Buyer provides Seller with an exemption certificate acceptable to the taxing authorities.

STAR<sup>®</sup> PIPE PRODUCTS

\* REGISTERED TRADEMARK OF STAR PIPE PRODUCTS

STAR PIPE PRODUCTS  
HOUSTON CORPORATE TOLL FREE 1-800-999-3009 FAX 281-558-9000  
www.starpipeproducts.com



# TABLE OF CONTENTS

PRODUCTS

E-SECTION

F-SECTION

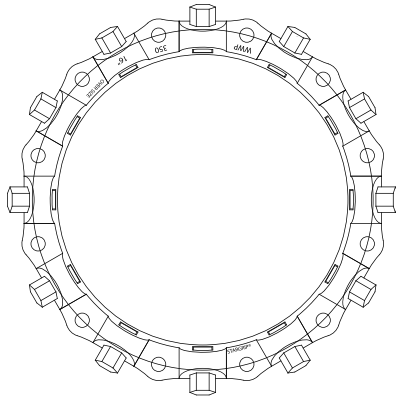
H-SECTION

	<p><b>STARGRIP®</b>          Series 3000, 3000P, 3000OS, 3000OSP, 3000T, 3100P</p> <p>Mechanical Joint Wedge Action Restraints for Ductile Iron pipe</p>	<p>pg. 4-7</p> <p>Nominal pipe size: 3" - 48"</p>
	<p><b>PVC STARGRIP®</b>          Series 4000, 4000P, 4100P</p> <p>Mechanical Joint Wedge Action Restraint for C900/C905 and IPS PVC pipe</p>	<p>pg. 8-9</p> <p>Nominal pipe size: 3" - 36"</p>
	<p><b>PVC PIPE RESTRAINERS</b>          Series 1000C, 1000CP, 1100C</p> <p>Joint Restraint for Mechanical Joint and Push On fittings for C900/C905 and PVC pressure fittings</p>	<p>pg. 10-11</p> <p>Nominal pipe size: 4" - 48"</p>
	<p><b>PVC PIPE BELL STOP</b>          Series 1400</p> <p>Over-Insertion Protection for AWWA C900/C905/C909 PVC Pipe</p>	<p>pg. 12</p> <p>Nominal pipe size: 4" - 16"</p>

STAR® PIPE PRODUCTS



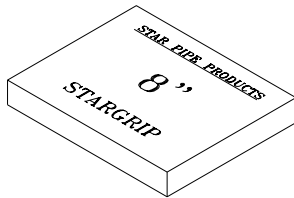
**STARGRIP® Series 3000**  
**Mechanical Joint Restraint for Ductile Iron Pipe**  
 Patent # 5,772,252



- Mechanical Joint, Wedge Action Restraint for use on all classes of Ductile Iron Pipe

NOM SIZE	DOMESTIC ITEM CODE	STARBOND DOMESTIC ITEM CODE	CRT QTY	WT	PRICE
3	SGDP03D	SGDPS03D	200	7	\$42.51
4	SGDP04D	SGDPS04D	200	9	45.29
6	SGDP06D	SGDPS06D	90	13	53.31
8	SGDP08D	SGDPS08D	90	17	81.36
10	SGDP10D	SGDPS10D	40	23	120.42
12	SGDP12D	SGDPS12D	40	31	175.20
14	SGDP14D	SGDPS14D	40	54	223.39
16	SGDP16D	SGDPS16D	10	60	319.54
18	SGDP18D	SGDPS18D	12	69	452.64
20	SGDP20D	SGDPS20D	12	72	561.32
24	SGDP24D	SGDPS24D	10	120	779.51
30	SGDP30D	SGDPS30D	9	197	1,783.99
36	SGDP36D	SGDPS36D	9	242	2,300.46
42	SGDP42D	SGDPS42D	4	425	see below
48	SGDP48D	SGDPS48D	4	500	see below

**STARGRIP® Series 3000P**  
**Mechanical Joint Restraint for Ductile Iron Pipe**  
**Packaged With Accessories**



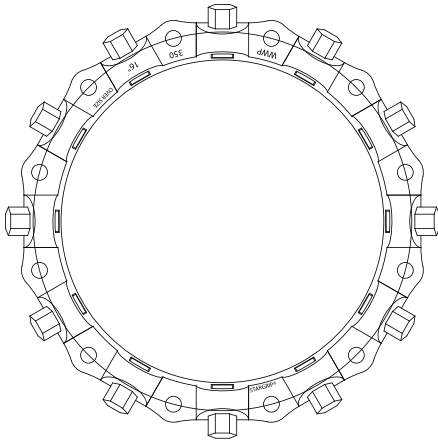
- Packaged with standard MJ gasket and low alloy steel T-bolts, both of which meet the requirements of ANSI/AWWA C111/A21.11
- Contact factory for custom packaging with longer bolts, Star Blue bolts and nuts or with zinc anode nuts
- Bolts and gaskets are boxed separately from the restraint in the 14 inch and larger sizes.
- Listed by Underwriters Laboratories, 3" through 36"
- Approved by Factory Mutual, 3" through 12"

NOM SIZE	DOMESTIC ITEM CODE	STARBOND DOMESTIC ITEM CODE	CRT QTY	WT	PRICE
3	SGDPPK03D	SGDPPKS03D	200	10	\$66.33
4	SGDPPK04D	SGDPPKS04D	160	12	72.01
6	SGDPPK06D	SGDPPKS06D	132	18	89.58
8	SGDPPK08D	SGDPPKS08D	99	22	121.57
10	SGDPPK10D	SGDPPKS10D	44	30	173.70
12	SGDPPK12D	SGDPPKS12D	44	39	232.85
14	SGDPPK14D	SGDPPKS14D		64	291.99
16	SGDPPK16D	SGDPPKS16D		71	397.88
18	SGDPPK18D	SGDPPKS18D		80	533.59
20	SGDPPK20D	SGDPPKS20D		84	652.92
24	SGDPPK24D	SGDPPKS24D		135	901.40
30	SGDPPK30D	SGDPPKS30D		241	2,066.24
36	SGDPPK36D	SGDPPKS36D		295	2,543.22
42	SGDPPK42D	SGDPPKS42D		487	3,959.31
48	SGDPPK48D	SGDPPKS48D		571	5,066.25

**PLEASE CALL:**

...FOR SPECIAL COATINGS	...FOR STAINLESS STEEL & STAR BLUE ACCESSORIES
-------------------------	--

**STAR PIPE PRODUCTS**



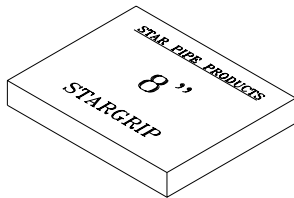
**STARGRIP® Series 3000OS**  
**Oversized Mechanical Joint Restraint**  
**for Pit Cast Iron Pipe**

Patent # 5,772,252

NOM SIZE	DOMESTIC ITEM CODE	STARBOND DOMESTIC ITEM CODE	CRT QTY	WT	PRICE
3	SGDPOS03D	SGDPOSS03D		6	\$81.46
4	SGDPOS04D	SGDPOSS04D	200	9	84.49
6	SGDPOS06D	SGDPOSS06D	90	13	92.94
8	SGDPOS08D	SGDPOSS08D	90	18	128.62
10	SGDPOS10D	SGDPOSS10D	40	23	160.20
12	SGDPOS12D	SGDPOSS12D	40	31	215.37
14	**	**		54	CALL
16	**	**		60	CALL

- The Oversized Mechanical Joint Wedge Action Restraint has the same features as the Series 3000 except the bore ID has been increased to accommodate Class A, B, C & D pit cast pipe.

\*\* Please contact STAR for price and availability



**STARGRIP® Series 3000OSP**  
**Oversized Mechanical Joint Restraint**  
**for Pit Cast Iron Pipe**  
**Packaged with Accessories**

NOM SIZE	DOMESTIC ITEM CODE	STARBOND DOMESTIC ITEM CODE	CRT QTY	WT	PRICE
3	SGDPOSPK03D	SGDPOSPKS03D		9	\$105.28
4	SGDPOSPK04D	SGDPOSPKS04D	160	12	111.21
6	SGDPOSPK06D	SGDPOSPKS06D	132	18	129.34
8	SGDPOSPK08D	SGDPOSPKS08D	99	24	168.90
10	SGDPOSPK10D	SGDPOSPKS10D	44	30	213.71
12	SGDPOSPK12D	SGDPOSPKS12D	44	39	273.34
14	**	**		64	CALL
16	**	**		71	CALL

- Packaged with standard MJ gasket and low alloy steel T-bolts, both of which meet the requirements of ANSI/AWWA C111/A21.11
- Contact factory for custom packaging with longer bolts, Star Blue bolts and nuts or with zinc anode nuts
- Bolts and gaskets are boxed separately from the restraint in the 14 inch and larger sizes.

\*\* Please contact STAR for price and availability

**PLEASE CALL:**

...FOR SPECIAL COATINGS	...FOR STAINLESS STEEL & STAR BLUE ACCESSORIES
-------------------------	--

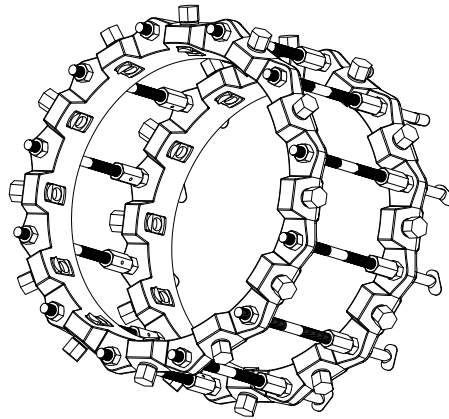
STAR® PIPE PRODUCTS



\* REGISTERED TRADEMARK OF STAR PIPE PRODUCTS

STAR PIPE PRODUCTS  
HOUSTON CORPORATE TOLL FREE 1-800-999-3009 FAX 281-558-9000  
www.starpipeproducts.com

**TANDEM STARGRIP® Series 3000T**  
**For High Pressure DI Pipe to MJ Fitting Applications**



NOM SIZE	DOMESTIC ITEM CODE	STARBOND DOMESTIC ITEM CODE	WT	PRICE
3	SGDP03TMD	SGDPS03TMD	18	CALL
4	SGDP04TMD	SGDPS04TMD	28	CALL
6	SGDP06TMD	SGDPS06TMD	41	CALL
8	SGDP08TMD	SGDPS08TMD	49	CALL
10	SGDP10TMD	SGDPS10TMD	69	CALL
12	SGDP12TMD	SGDPS12TMD	88	CALL
14	SGDP14TMD	SGDPS14TMD	141	CALL
16	SGDP16TMD	SGDPS16TMD	159	CALL
18	SGDP18TMD	SGDPS18TMD	177	CALL
20	SGDP20TMD	SGDPS20TMD	191	CALL
24	SGDP24TMD	SGDPS24TMD	294	CALL
30	SGDP30TMD	SGDPS30TMD	520	CALL
36	SGDP36TMD	SGDPS36TMD	616	CALL
42	SGDP42TMD	SGDPS42TMD	1118	CALL
48	SGDP48TMD	SGDPS48TMD	1357	CALL

- Designed for Restraining Mechanical Joint Fittings with DI Pipe per ANSI/AWWA C151
- Pressure Rating has 2:1 safety factor
- Maintains full deflection on Mechanical Joints - same as Series 3000 Stargrip®
- T-Bolts/Rods/Hex Nuts: High Strength Low Alloy Steel Per ANSI/AWWA C111/A21.11
- Sizes 42" & 48" require extra long 1 ¼" x 8 ½" T-bolts.

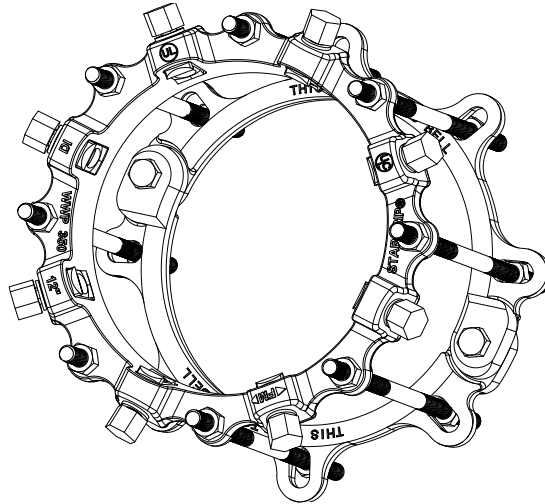
**PLEASE CALL:**

...FOR SPECIAL COATINGS	...FOR STAINLESS STEEL & STAR BLUE ACCESSORIES
-------------------------	--

STAR® PIPE PRODUCTS



**STARGRIP® Series 3100P**  
**For Push-On Joints of Ductile Iron Pipe Bells (New Installations Only)**  
 Patent # 5,772,252



Mechanical Joint Wedge Action Restraint for use on all classes of Ductile Iron Pipe Bells

NOM SIZE	DOMESTIC ITEM CODE	STARBOND DOMESTIC ITEM CODE	No. RODS	ROD DIA x LENGTH	* MAX. BELL OD	WT	PRICE
3	SGDPGF03D	SGDPGFS03D	4	5/8 x 17	5.44	18	\$73.41
4	SGDPGF04D	SGDPGFS04D	4	3/4 x 17	6.62	20	82.23
6	SGDPGF06D	SGDPGFS06D	6	3/4 x 17	8.62	31	118.19
8	SGDPGF08D	SGDPGFS08D	6	3/4 x 17	10.88	36	159.71
10	SGDPGF10D	SGDPGFS10D	8	3/4 x 24	13.12	56	278.90
12	SGDPGF12D	SGDPGFS12D	8	3/4 x 24	15.38	68	349.16
14	**	**	8	3/4 x 24	17.88	100	CALL
16	SGDPGF16D	SGDPGFS16D	10	3/4 x 24	20.12	114	782.66
18	**	**	10	3/4 x 24	22.38	122	CALL
20	**	**	12	3/4 x 24	24.62	157	CALL
24	SGDPGF24D	SGDPGFS24D	14	3/4 x 24	29.12	234	1,585.50
30	**	**	18	1 x 24	35.75	412	CALL
36	**	**	22	1 x 24	42.62	495	CALL
42	**	**	28	1 1/4 x 30	49.25	1176	CALL
48	**	**	32	1 1/4 x 30	56.12	1379	CALL

\* The connecting rods of the 3100P will NOT clear pipe bells larger than Max Bell OD Listed.

\*\* Please contact STAR for price and availability

\*\*\* Size 42" & 48" includes STARGRIP®, MJ gland and low alloy steel double ended rods and nuts which meet the requirements of ANSI/AWWA C111/A21.11

- Includes STARGRIP®, split follower gland and low alloy steel double ended rods and nuts which meet the requirements of ANSI/AWWA C111/A21.11
- Contact factory for custom packaging with longer bolts, Star Blue bolts and nuts or with zinc alloy nuts.

**PLEASE CALL:**

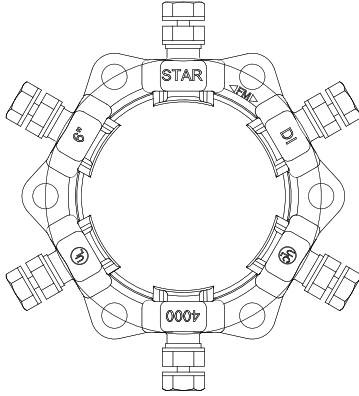
...FOR SPECIAL COATINGS	...FOR STAINLESS STEEL & STAR BLUE ACCESSORIES
-------------------------	--

**STAR® PIPE PRODUCTS**

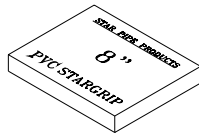




DOMESTIC-JRPL.14.01A



- Mechanical Joint Wedge Action Restraint for use on PVC Pipe
- 3" size for IPS PVC Pipe only
- 4"-12" sizes for C900 and IPS PVC Pipe
- 14"-36" sizes for C905 PVC Pipe only



**PVC STARGRIP® Series 4000**  
**Mechanical Joint Restraint for C900/C905/IPS PVC Pipe**

Patent # 5,071,175

NOM SIZE	DOMESTIC ITEM CODE	STARBOND DOMESTIC ITEM CODE	CRT QTY	WT	PRICE
3	PVC4003D	PVCS4003D	200	7	\$51.55
4	PVC4004D	PVCS4004D	200	9	55.61
6	PVC4006D	PVCS4006D	90	13	67.40
8	PVC4008D	PVCS4008D	90	17	99.74
10	PVC4010D	PVCS4010D	40	23	188.60
12	PVC4012D	PVCS4012D	40	28	198.20
14	PVC4014D	PVCS4014D	40	50	315.77
16	PVC4016D	PVCS4016D	10	60	424.30
18	PVC4018D	PVCS4018D	12	65	526.28
20	PVC4020D	PVCS4020D	12	76	652.45
24	PVC4024D	PVCS4024D	10	98	753.00
30	PVC4030D	PVCS4030D	9	173	2,013.97
36	PVC4036D	PVCS4036D	9	219	2,509.47

**PVC STARGRIP® Series 4000P**  
**Mechanical Joint Restraint for C900/C905/IPS PVC Pipe**  
**Packaged With Accessories**

NOM SIZE	C900/905 PVC PIPE DOMESTIC ITEM CODE	STARBOND C900/905 PVC PIPE DOMESTIC ITEM CODE	IPS PVC PIPE DOMESTIC ITEM CODE	STARBOND IPS PVC PIPE DOMESTIC ITEM CODE	CRT QTY	WT	PRICE
3	N/A	N/A	PVCPKT4003D	PVCPKST4003D	132	10	\$76.64
4	PVCPK4004D	PVCPKS4004D	PVCPKT4004D	PVCPKST4004D	132	12	82.52
6	PVCPK4006D	PVCPKS4006D	PVCPKT4006D	PVCPKST4006D	99	18	104.38
8	PVCPK4008D	PVCPKS4008D	PVCPKT4008D	PVCPKST4008D	60	23	140.93
10	PVCPK4010D	PVCPKS4010D	PVCPKT4010D	PVCPKST4010D	40	31	242.95
12	PVCPK4012D	PVCPKS4012D	PVCPKT4012D	PVCPKST4012D	40	37	255.68
14	PVCPK4014D	PVCPKS4014D	N/A	N/A		60	384.37
16	PVCPK4016D	PVCPKS4016D	N/A	N/A		70	502.64
18	PVCPK4018D	PVCPKS4018D	N/A	N/A		75	607.23
20	PVCPK4020D	PVCPKS4020D	N/A	N/A		88	744.05
24	PVCPK4024D	PVCPKS4024D	N/A	N/A		113	862.53
30	PVCPK4030D	PVCPKS4030D	N/A	N/A		217	2,296.26
36	PVCPK4036D	PVCPKS4036D	N/A	N/A		272	2,799.58

- Packaged with MJ gasket and low alloy steel T-bolts, both of which meet the requirements of ANSI/AWWA C111/A21.11
- Contact factory for custom packaging with longer bolts, Star Blue bolts and nuts or with zinc anode nuts
- Bolts and gaskets are boxed separately from the restraint in the 14 inch and larger sizes.
- Listed by Underwriters Laboratories, 4" through 12" on DR18 C900 PVC Pipe
- Approved by Factory Mutual, 4" through 12" on DR18 C900 PVC Pipe & 4" through 10" on DR14 C900 PVC Pipe

**PLEASE CALL:**

...FOR SPECIAL COATINGS	...FOR STAINLESS STEEL & STAR BLUE ACCESSORIES
-------------------------	--

\* REGISTERED TRADEMARK OF STAR PIPE PRODUCTS

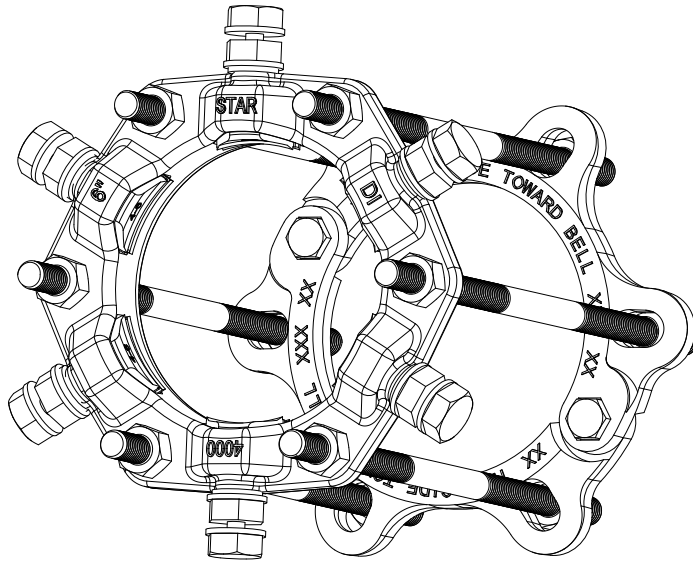


STAR® PIPE PRODUCTS





**PVC STARGRIP® Series 4100P**  
**for C900/C905 PVC Pipe Bells (New Installations Only)**  
Patent # 5,071,175



STAR® PIPE PRODUCTS

SIZE	DOMESTIC ITEM CODE	STARBOND DOMESTIC ITEM CODE	No. RODS	ROD DIA x LENGTH	* MAX. BELL OD	WT	PRICE
4	PVCG4004D	PVCGS4004D	4	3/4 x 17	6.62	24	\$152.82
6	PVCG4006D	PVCGS4006D	6	3/4 x 17	8.62	35	193.22
8	PVCG4008D	PVCGS4008D	6	3/4 x 17	10.88	43	256.19
10	PVCG4010D	PVCGS4010D	8	3/4 x 24	13.12	62	466.35
12	PVCG4012D	PVCGS4012D	8	3/4 x 24	15.38	74	485.58
14	**	**	8	3/4 x 24	17.88	130	CALL
16	PVCG4016D	PVCGS4016D	10	3/4 x 24	20.12	152	785.88
18	**	**	10	3/4 x 24	22.38	166	CALL
20	**	**	12	3/4 x 24	24.62	194	CALL
24	PVCG4024D	PVCGS4024D	14	3/4 x 30	29.12	254	1,559.83
30	**	**	18	1 x 40	35.75	471	CALL
36	**	**	22	1 x 40	42.62	576	CALL

\* The connecting rods of the 4100P will NOT clear pipe bells larger than Max Bell OD Listed.  
\*\* Please contact STAR for price and availability

- Includes PVC STARGRIP®, split follower and low alloy steel double ended rods and nuts which meet the requirements of ANSI/AWWA C111/A21.11
- Contact factory for custom packaging with longer bolts, Star Blue bolts and nuts or with zinc alloy nuts

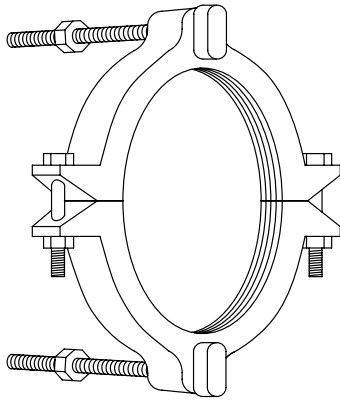
**PLEASE CALL:**

...FOR SPECIAL COATINGS	...FOR STAINLESS STEEL & STAR BLUE ACCESSORIES
-------------------------	--





**DOMESTIC-JRPL.14.01A**

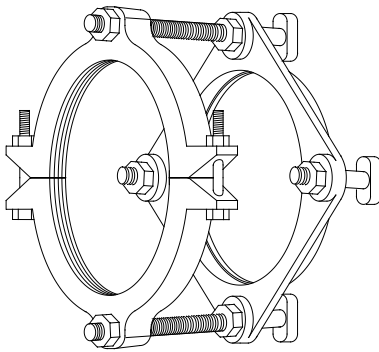


- Sizes 4" through 12" individually packaged
- C900/C905 PVC Restrainers coated black
- Packaged with T-bolts/hex nuts (low alloy steel in accordance with ANSI/AWWA C111/A21.11) and clamping bolts (SAE J429 GRADE 5)
- Approved by Factory Mutual 4" through 10" on DR18 C900 PVC Pipe
- Please contact factory for ductile iron pipe applications

**PVC RESTRAINERS Series 1000C  
for C900/C905 PVC Pipe to Fittings**

NOM SIZE	DOMESTIC ITEM CODE	STARBOND DOMESTIC ITEM CODE	CRT QTY	WT	PIPE OD	PRICE
4	PRC1004D	PRCS1004D	300	7	4.80	\$58.58
6	PRC1006D	PRCS1006D	234	9	6.90	69.75
8	PRC1008D	PRCS1008D	132	15	9.05	103.98
10	PRC1010D	PRCS1010D	88	22	11.10	195.89
12	PRC1012D	PRCS1012D	88	24	13.20	209.14
14	PRC1014D	PRCS1014D		55	15.30	396.40
16	PRC1016D	PRCS1016D		62	17.40	468.44
18	**	**		78	19.50	CALL
20	**	**		113	21.60	CALL
24	**	**		145	25.80	CALL
30	**	**		247	32.00	CALL
36	**	**		354	38.30	CALL
42	**	**		1003	44.50	CALL
48	**	**		1166	50.80	CALL

\*\* Please contact STAR for price and availability



- Sizes 4" through 12" individually packaged
- C900/C905 PVC Restrainers coated black
- Packaged with T-bolts/hex nuts (low alloy steel in accordance with ANSI/AWWA C111/A21.11), clamping bolts (SAE J429 GRADE 5), MJ gland and MJ gasket
- Please contact factory for ductile iron pipe applications

**PVC RESTRAINERS Series 1000CP  
for C900/C905 PVC Pipe to Fittings  
with MJ Accessories**

NOM SIZE	DOMESTIC ITEM CODE	STARBOND DOMESTIC ITEM CODE	WT	PIPE OD	PRICE
4	PRCP1004D	PRCPS1004D	14	4.80	\$84.90
6	PRCP1006D	PRCPS1006D	20	6.90	102.14
8	PRCP1008D	PRCPS1008D	27	9.05	142.03
10	PRCP1010D	PRCPS1010D	38	11.10	250.85
12	PRCP1012D	PRCPS1012D	41	13.20	267.25
14	PRCP1014D	PRCPS1014D	78	15.30	485.62
16	PRCP1016D	PRCPS1016D	92	17.40	563.39
18	**	**	118	19.50	CALL
20	**	**	168	21.60	CALL
24	**	**	223	25.80	CALL
30	**	**	396	32.00	CALL
36	**	**	547	38.30	CALL
42	**	**	1242	44.50	CALL
48	**	**	1456	50.80	CALL

\*\* Please contact STAR for price and availability

**PLEASE CALL:**

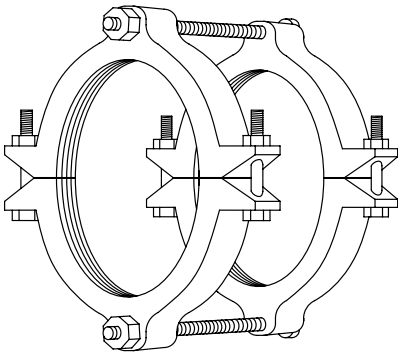
...FOR SPECIAL COATINGS	...FOR STAINLESS STEEL & STAR BLUE ACCESSORIES
-------------------------	--

**STAR<sup>®</sup> PIPE PRODUCTS**





**PVC RESTRAINERS Series 1100C  
 for C900/C905 PVC Pipe to Pipe**



NOM SIZE	DOMESTIC ITEM CODE	STARBOND DOMESTIC ITEM CODE	CRT QTY	WT	PIPE OD	PRICE
4	PRC1104D	PRCS1104D	130	14	4.80	\$69.75
6	PRC1106D	PRCS1106D	104	18	6.90	96.11
8	PRC1108D	PRCS1108D	66	30	9.05	155.87
10	PRC1110D	PRCS1110D	44	46	11.10	271.72
12	PRC1112D	PRCS1112D	44	50	13.20	297.28
14	PRC1114D	PRCS1114D		145	15.30	698.22
16	PRC1116D	PRCS1116D		117	17.40	785.88
18	**	**		147	19.50	CALL
20	**	**		221	21.60	CALL
24	**	**		288	25.80	CALL
30	**	**		492	32.00	CALL
36	**	**		753	38.30	CALL
42	**	**		1916	44.50	CALL
48	**	**		2242	50.80	CALL

\*\* Please contact STAR for price and availability

- Sizes 4" through 12" individually packaged
- C900/C905 PVC Restrainers coated black
- Packaged with rods/hex nuts (low alloy steel in accordance with ANSI/AWWA C111/A21.11) and clamping bolts (SAE J429 GRADE 5)
- Approved by Factory Mutual 4" through 10" on DR18 C900 PVC Pipe
- Please contact factory for ductile iron pipe applications

**PLEASE CALL:**

...FOR SPECIAL COATINGS	...FOR STAINLESS STEEL & STAR BLUE ACCESSORIES
-------------------------	--

STAR<sup>®</sup> PIPE PRODUCTS

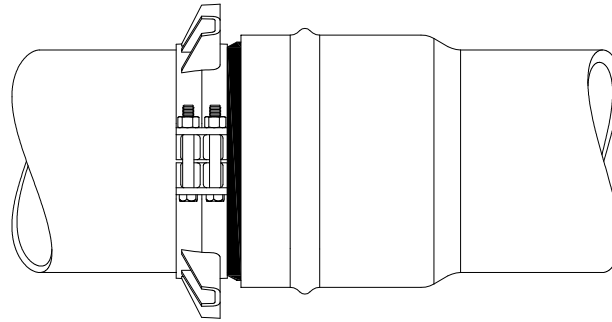


\* REGISTERED TRADEMARK OF STAR PIPE PRODUCTS

STAR PIPE PRODUCTS  
 HOUSTON CORPORATE TOLL FREE 1-800-999-3009 FAX 281-558-9000  
 www.starpipeproducts.com



STAR<sup>®</sup> PIPE PRODUCTS



**PVC Pipe Bell Stop Series 1400**

Over-Insertion Protection for  
AWWA C900/C905/C909 PVC Pipe

NOM SIZE	ITEM CODE	NET SELL PRICE
4	PBS1404D	CALL
6	PBS1406D	CALL
8	PBS1408D	CALL
10	PBS1410D	CALL
12	PBS1412D	CALL
14	PBS1414D	CALL
16	PBS1416D	CALL

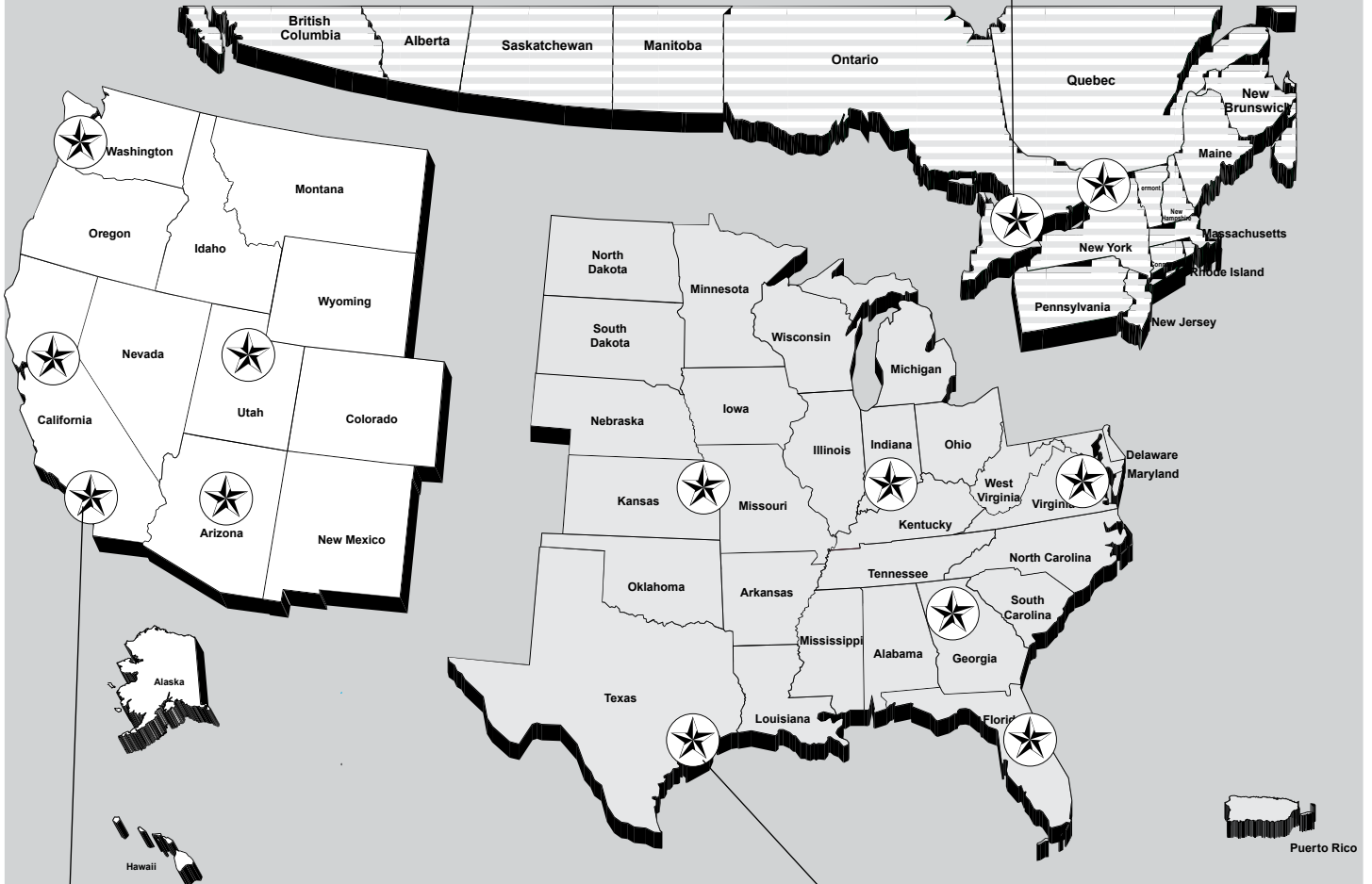
**PLEASE CALL:**

...FOR SPECIAL COATINGS	...FOR STAINLESS STEEL & STAR BLUE ACCESSORIES
-------------------------	---





**CAMBRIDGE  
CALL CENTER**  
Toll Free: (888) 893-7827  
Fax: (519) 650-1553



**CORONA  
CALL CENTER**  
Toll Free: (877) 701-7827  
Fax: (951) 898-9561

**HOUSTON  
CALL CENTER**  
Toll Free: (800) 999-3009  
Fax: (281) 558-9000

## Regional Distribution Centers ★

**Houston, TX  
Corporate Headquarters**  
4018 Westhollow Pkwy.  
Houston, TX 77082

**Sacramento, CA**  
830 W. National Drive  
Sacramento, CA 95834

**Orlando, FL**  
601 Gills Dr.  
Orlando, FL 32824

**Richmond, VA**  
2913 Transport Street  
Richmond, VA 23234

**Corona, CA**  
1223 Sherborn Street  
Corona, CA 92879

**Salt Lake City, UT**  
2801 West Parkway Blvd.  
Salt Lake City, UT 84119

**Seattle, WA**  
13605 52<sup>nd</sup> Street East  
Sumner, WA 98390

**Montreal, CAN**  
3067 Rue Joseph-A-Bomdardier  
Laval, QC H7P 6C5

**Cambridge, CAN**  
1144 Industrial Road  
Cambridge, Ontario, N3H4W4

**Atlanta, GA**  
5307 Peachtree Industrial Blvd.  
Chamblee, GA 30341

**Indianapolis, IN**  
6119 Guion Road  
Indianapolis, IN 46254

**Kansas City, MO**  
1444 Vernon  
North Kansas City, MO 64116

**Phoenix, AZ**  
1250 East Hadley Suite 2  
Phoenix, AZ 85034