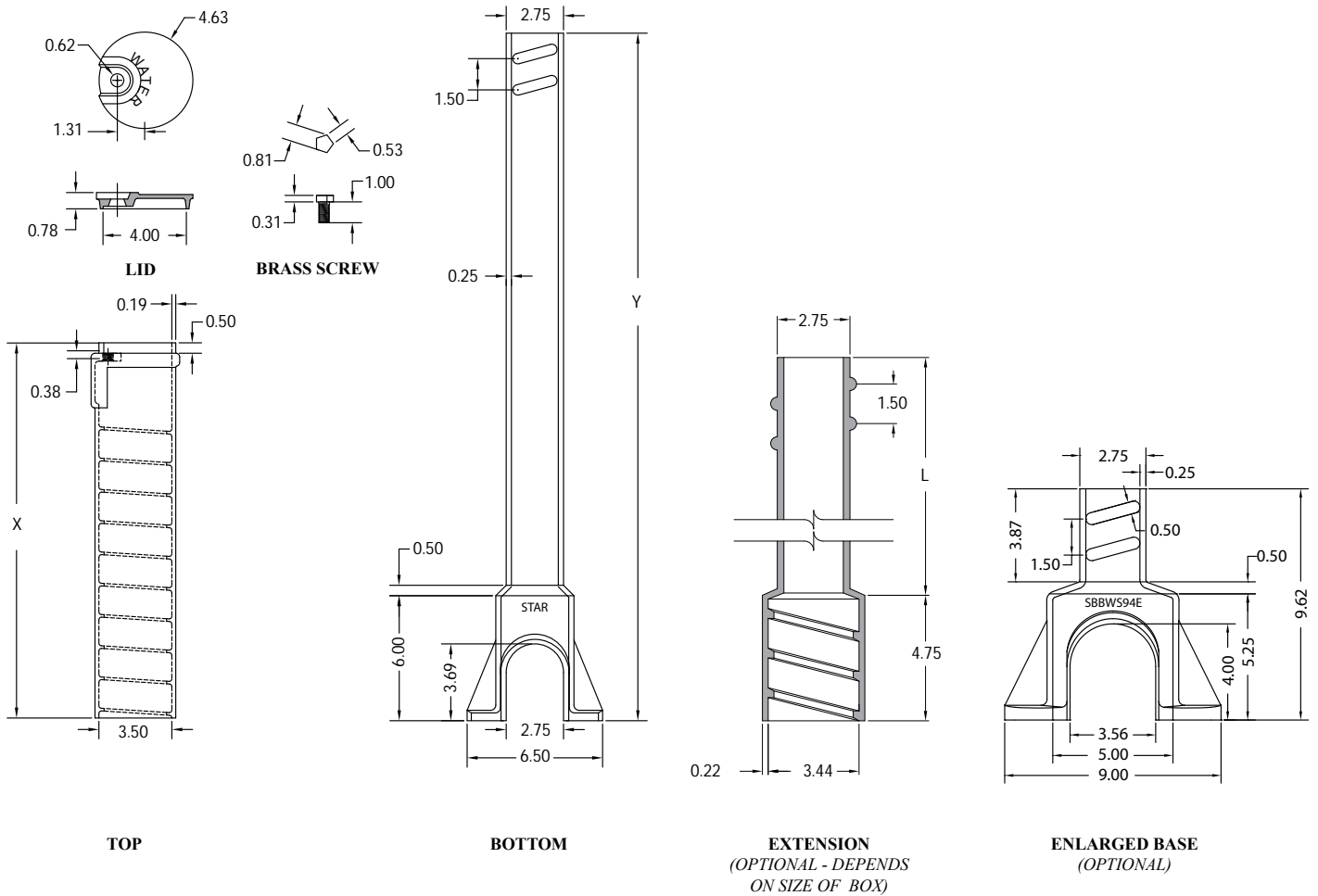


TABLE OF CONTENTS[CLICK NAME TO NAVIGATE](#)

| NAME | CAT # |
|----------------------------|--------------|
| SCREW TYPE SERVICE BOX | SB-0001 |
| REPAIR LID FOR SERVICE BOX | SB-0002 |
| CLEVELAND SERVICE BOX | SB-0003 |
| ROADWAY BOX | RB-0001 |

SCREW TYPE SERVICE BOX
SB-0001

| ITEM CODE | COMPLETE | TOP | BOTTOM | EXTENSION | ENLARGED BASES |
|----------------|----------|------------|------------|------------|----------------|
| | HEIGHT | HEIGHT (X) | HEIGHT (Y) | HEIGHT (L) | HEIGHT |
| SB93D | 36-48 | 18 | 33 | - | - |
| SB93E | 36-54 | 24 | 33 | - | - |
| SB94ES | 42-60 | 24 | 39 | - | - |
| SB95ES | 41-64 | 30 | 39 | - | - |
| SB100ES | 54-72 | 24 | 52 | - | - |
| SB100FS | 54-78 | 30 | 52 | - | - |
| SBRISER | | | | | |
| SBRISER09 | - | - | - | 9 | - |
| SBRISER16 | - | - | - | 16 | - |
| SBRISER28 | - | - | - | 28 | - |
| SBRISER30 | - | - | - | 30 | - |
| SBBWS | | | | | |
| SBBWS94E | - | - | - | - | 9.62 |
| SBBW94E | - | - | - | - | 39 |

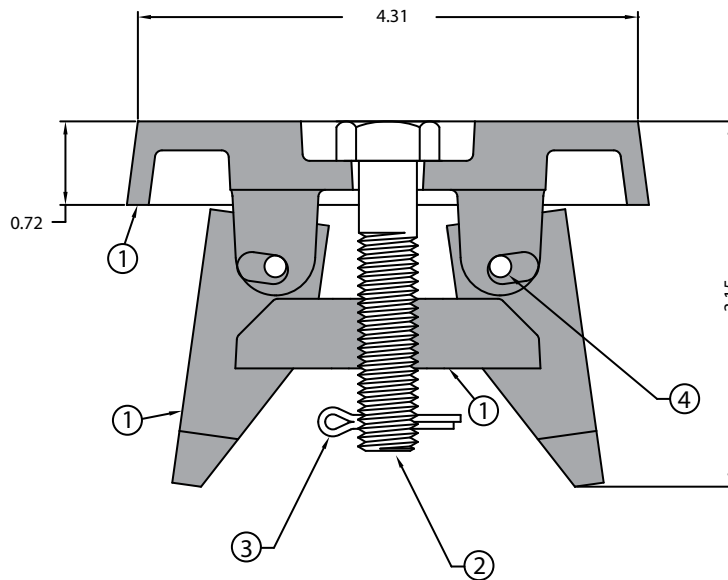

Notes:

- Material: Cast Iron Per ASTM A48 Class 30B
- Dimensions in Inches

REPAIR LID FOR SERVICE BOX

SB-0002

| ITEM CODE | DETAILS |
|-----------|----------|
| MBC1000L | COMPLETE |



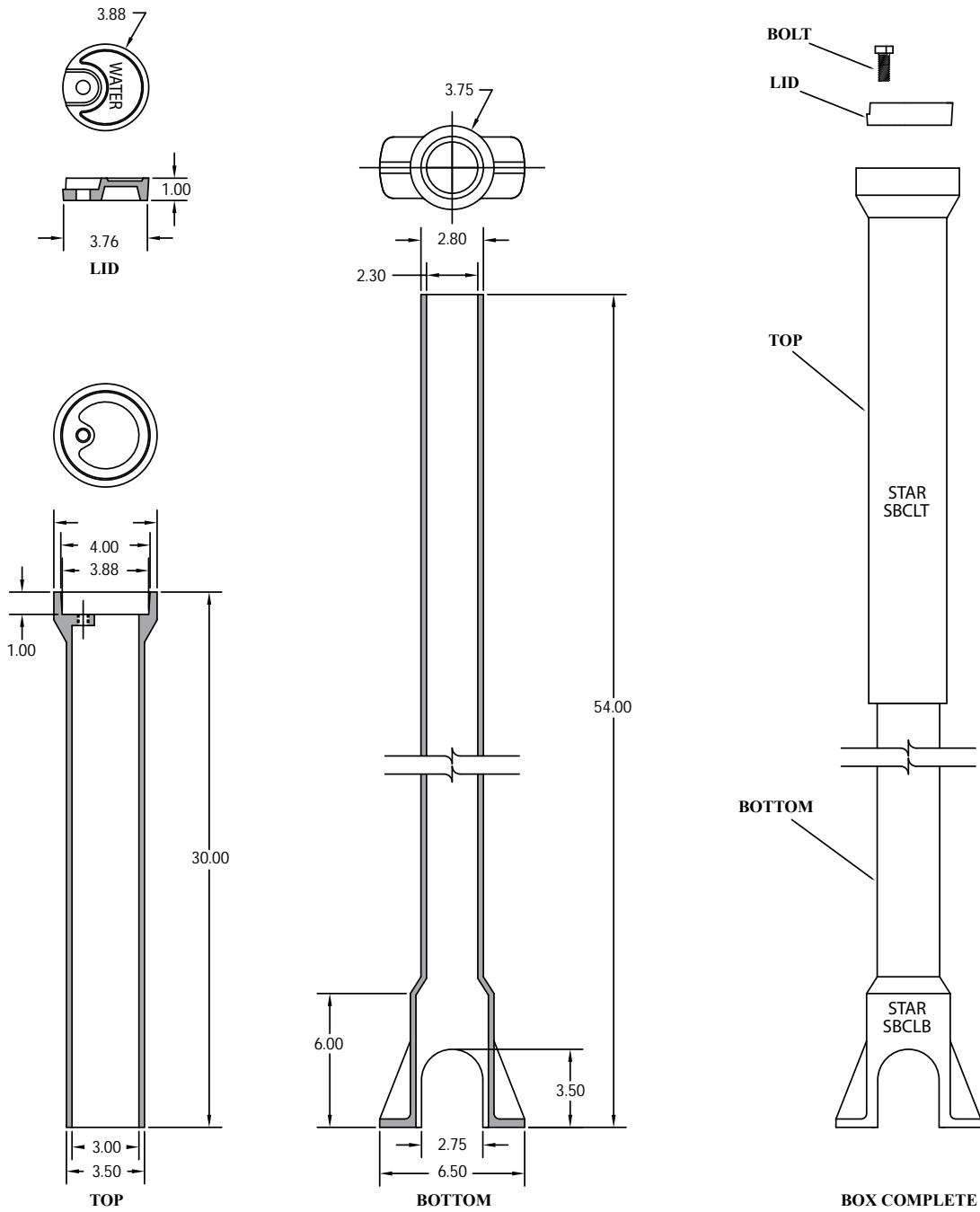
Notes:

- 1: Material: Cast Iron Per ASTM A48 Class 30B
- 2: 1/2" x 2 1/2" Brass Pentagon Bolt
- 3: 1/8" x 1" Carbon Steel Cotter Pin
- 4: 3/8" x 1 1/2" Steel button Head Rivet
- Dimensions in Inches

CLEVELAND SERVICE BOX

SB-0003

| ITEM CODE | DETAILS |
|-----------|----------|
| SBCL | COMPLETE |
| SBCLLID | LID |
| SBCLT | TOP |
| SBCLB | BOTTOM |



Notes:

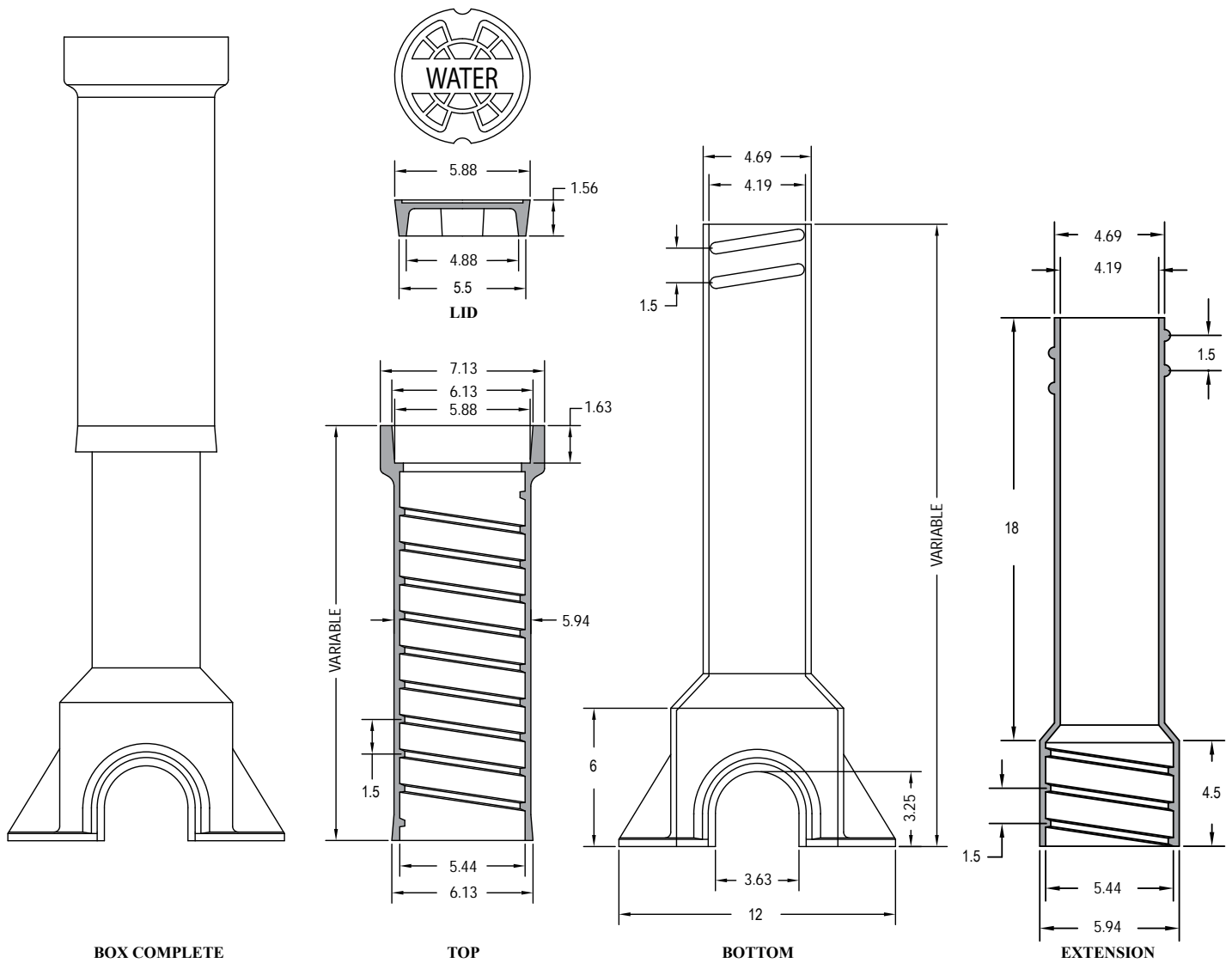
- Material: Cast Iron Per ASTM A48 Class 30B
- Dimensions in Inches



ROADWAY BOX

RB-001

| ITEM CODE | COMPLETE | TOP | BOTTOM | EXTENSION |
|-----------|----------|--------|--------|-----------|
| | HEIGHT | HEIGHT | HEIGHT | HEIGHT |
| RWB142RHD | 30-42 | 18 | 27 | - |
| RWB143RHD | 36-48 | 18 | 34 | - |
| RWB145RHD | 49-62 | 18 | 27 | - |
| RWB142REX | - | - | - | 18 |



Notes:
 - Material - Cast Iron Per ASTM A48 Class 30B
 - Dimensions in Inches