

TABLE OF CONTENTS[CLICK NAME TO NAVIGATE](#)

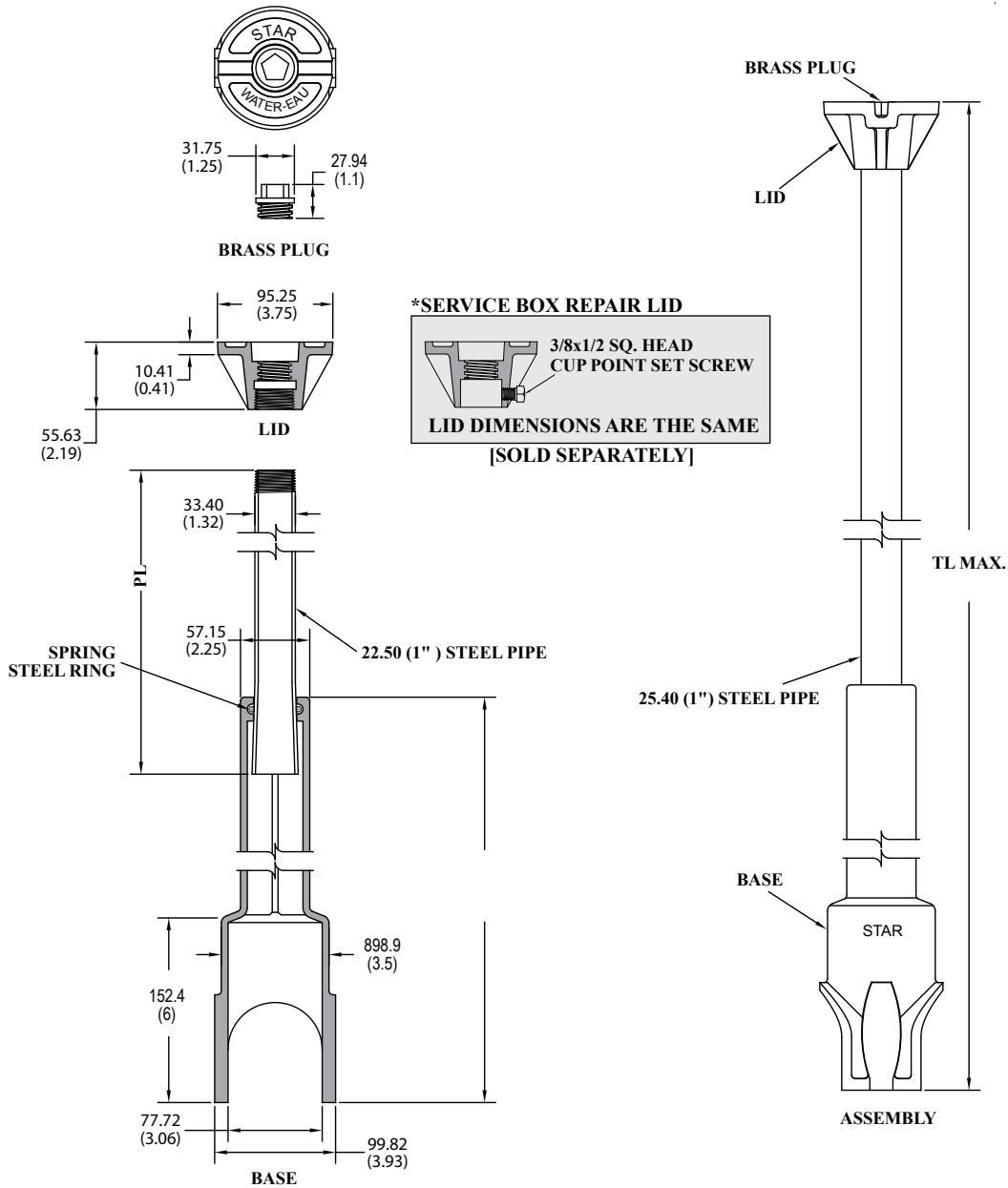
NAME	CAT #
D1 SERVICE BOX	SB-5001
D2 SERVICE BOX	SB-5002



D1 SERVICE BOX

SB-5001

ITEM CODE	STEEL PIPE	TOTAL
	PL (MM/IN)	TL (MM/IN)
SB#7D1	1260.6 / (49.63)	1679.7 / (66.13)
SB#8D1	1422.4 / (56)	1841.5 / (72.5)
SB#9D1	1574.8 / (62)	1993.9 / (78.5)
SB#10D1	1727.2 / (68)	2146.3 / (84.5)
SB#11D1	1879.6 / (74)	2298.7 / (90.5)
SB#12D1	2032 / (80)	2451.1 / (96.5)
SB1000L	*SERVICE BOX REPAIR LID	



Notes:

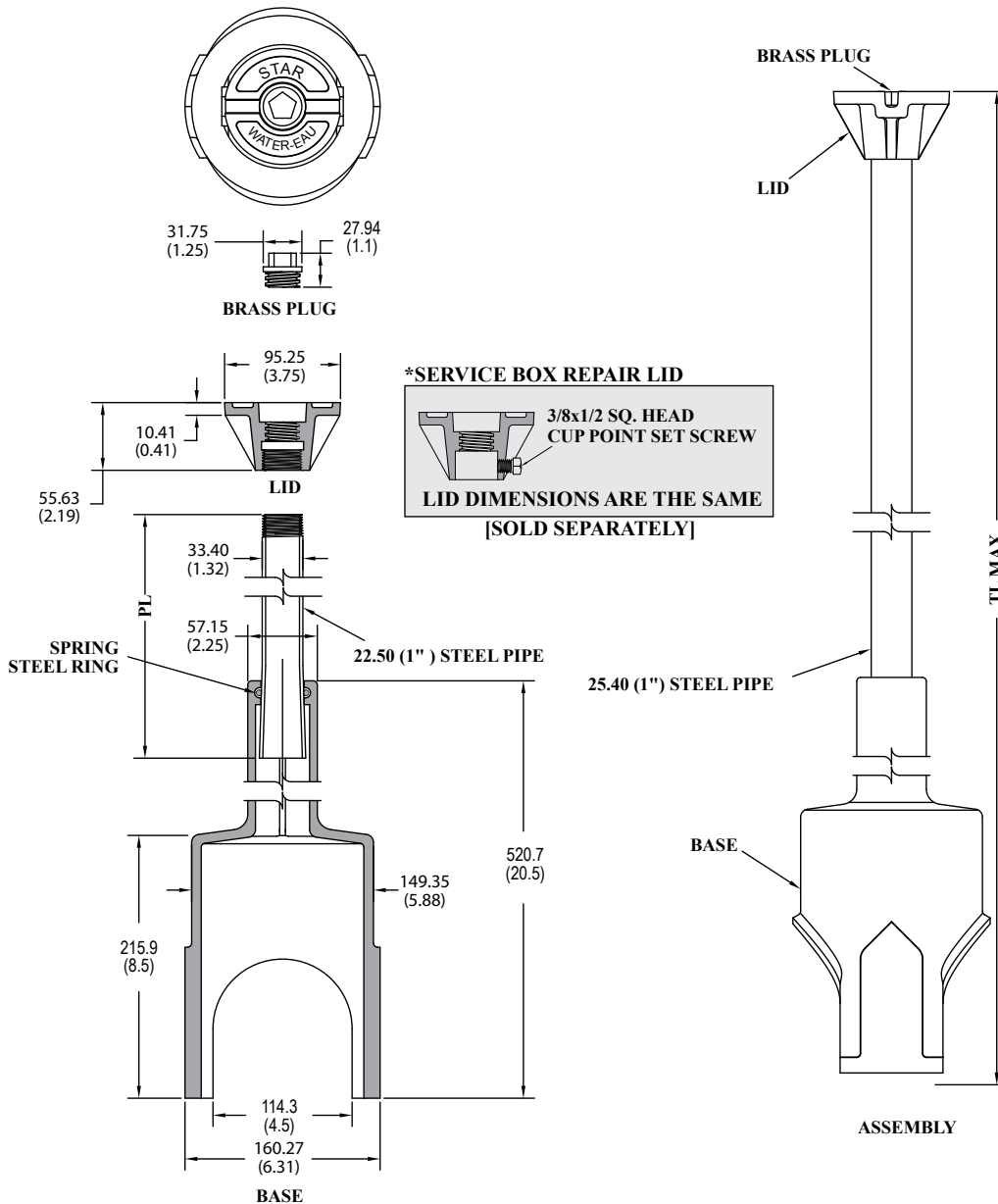
- Material - Cast Iron Per ASTM A48 Class 30B (For Lid & Bottom)
- Assembled Brass Plug On Lid & Steel Pipe Between Lid & Bottom
- * Repair Lid Dimensions are the Same but Includes a 3/8"x1/2" Sq. Head Cup Point Set Screw **[Sold Separately]**
- Dimensions in MM, () = Inches



D2 SERVICE BOX

SB-5002

ITEM CODE	STEEL PIPE	TOTAL
	PL (MM/IN)	TL (MM/IN)
SB#7D2	1260.6 / (49.63)	1755.9 / (69.13)
SB#8D2	1422.4 / (56)	1917.7 / (75.5)
SB#9D2	1574.8 / (62)	2070.1 / (81.5)
SB#10D2	1727.2 / (68)	2222.5 / (87.5)
SB#11D2	1879.6 / (74)	2374.9 / (93.5)
SB#12D2	2032 / (80)	2527.3 / (99.5)
SB1000L	*SERVICE BOX REPAIR LID	



Notes:

- Material - Cast Iron Per ASTM A48 Class 30B (For Lid & Bottom)
- Assembled Brass Plug On Lid & Steel Pipe Between Lid & Bottom
- * Repair Lid Dimensions are the Same but Includes a 3/8"x1/2" Sq. Head Cup Point Set Screw [Sold Separately]
- Dimensions in MM, () = Inches

