

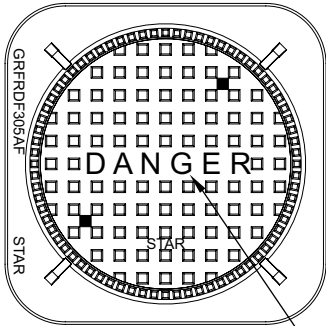
**TABLE OF CONTENTS**
[CLICK NAME TO NAVIGATE](#)

NAME	CAT #
401.01 SQUARE FRAME MANHOLE A	MB-5001
401.01 SQUARE FRAME MANHOLE B	MB-5002
401.03 WATER TIGHT MANHOLE	MB-5003
400.081 INLET CATCH BASIN	MB-5004
8000 SERIES DUCTILE IRON MANHOLE	MB-5005
8005 CAST IRON MANHOLE	MB-5006
C18 MANHOLE	MB-5007
EXT FOR MHWC18	MB-5008
BELL TRAP	MB-5009
24" 3 PCS SELF LEVEL MH	MB-5010



**401.01 SQUARE FRAME MANHOLE A**

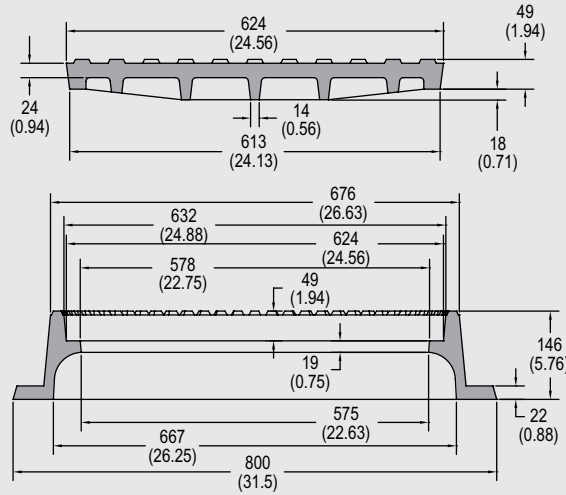
**MH-5001**



SEE DETAILS FOR OPTIONAL LETTERING

**Notes:**

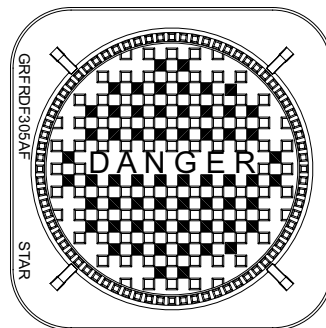
- Material - Cast Iron
- Per ASTM A48 Class 30B
- Dimensions in MM, ( ) = Inches



ITEM CODE	DETAILS
GRFRDF305A	DANGER
GRFRDF305ASN	SANITARY
GRFRDF305AST	STORM

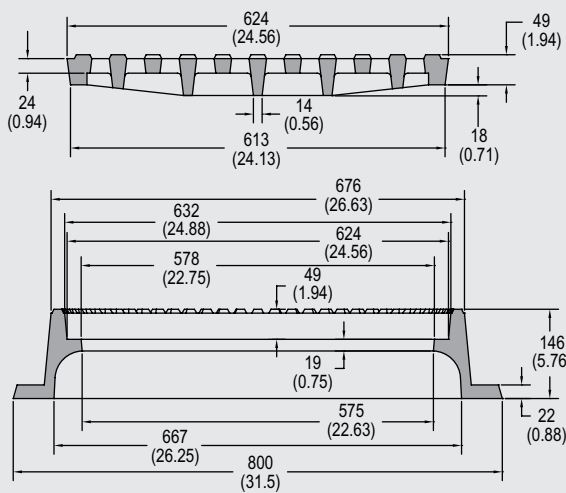
**401.01 SQUARE FRAME MANHOLE B**

**MH-5002**



**Notes:**

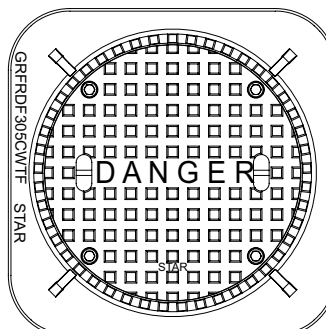
- Material - Cast Iron
- Per ASTM A48 Class 30B
- Dimensions in MM, ( ) = Inches



ITEM CODE	DETAILS
GRFRDF305B	COMPLETE

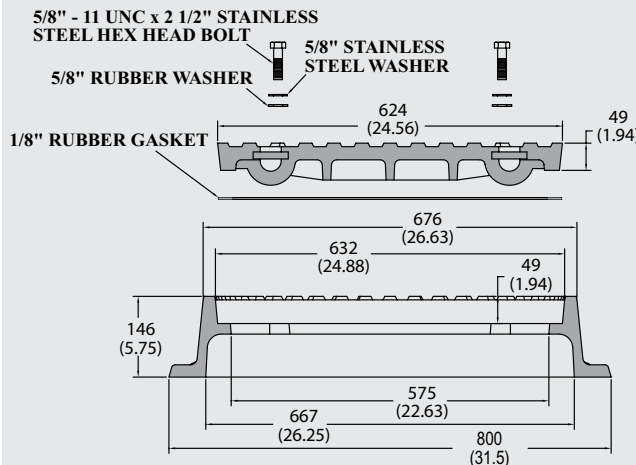
**401.03 WATER TIGHT MANHOLE**

**MH-5003**



**Notes:**

- Material - Cast Iron
- Per ASTM A48 Class 30B
- Bolts, Washers & Gaskets
- Dimensions in MM, ( ) = Inches

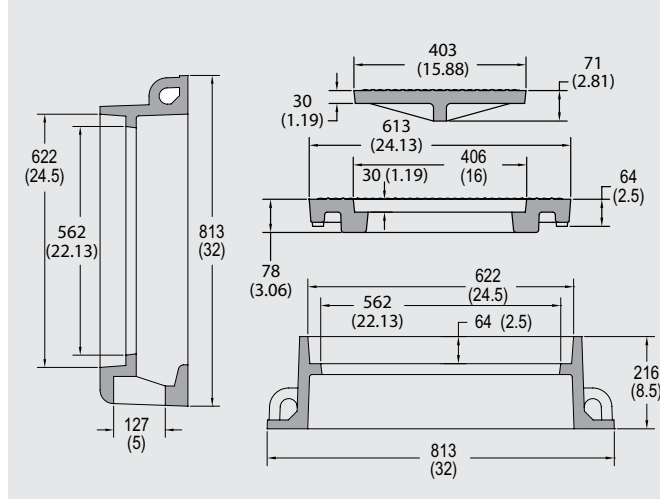
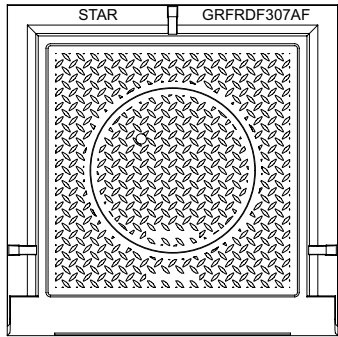


ITEM CODE	DETAILS
GRFRDF305CWT	COMPLETE



**400.081 INLET CATCH BASIN**

**MH-5004**



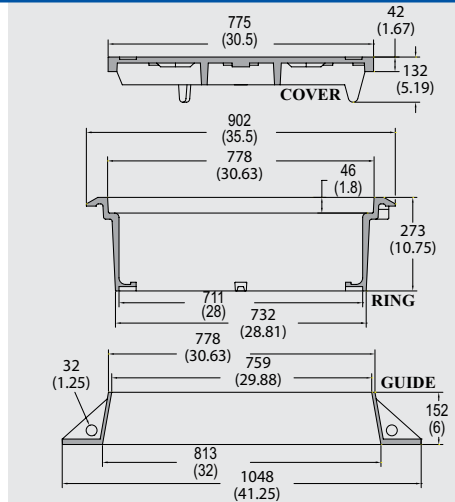
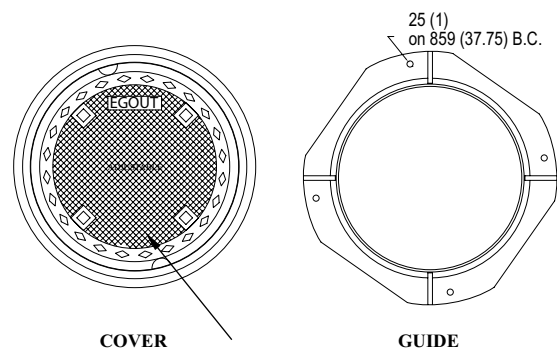
ITEM CODE	DETAILS
GRFRDF307A	COMPLETE

**Notes:**

- Material - Cast Iron
- Per ASTM A48 Class 30B
- Dimensions in MM, ( ) = Inches

**8000 SERIES DUCTILE IRON MANHOLE**

**MH-5005**



ITEM CODE	DETAILS
MH8002	PLAIN
MH8003	SANITAIRE
MH8004	PLUVIAL

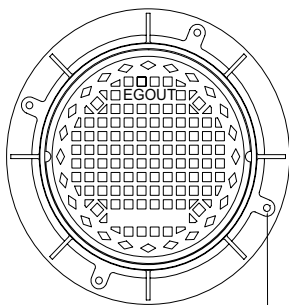
**Notes:**

- Material:
- Cover & Ring: Ductile Iron ASTM A356 Grade 65-45-12
- Guide: Cast Iron Per ASTM A48 Class 30B
- Dimensions in MM, ( ) = Inches

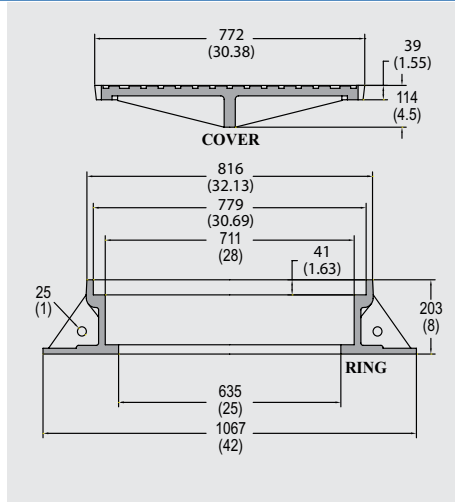
SEE DETAILS FOR OPTIONAL LETTERING

**8005 CAST IRON MANHOLE**

**MH-5006**



25 (1.00) on 968 (38.13) B.C.



ITEM CODE	DETAILS
MH8005	COMPLETE

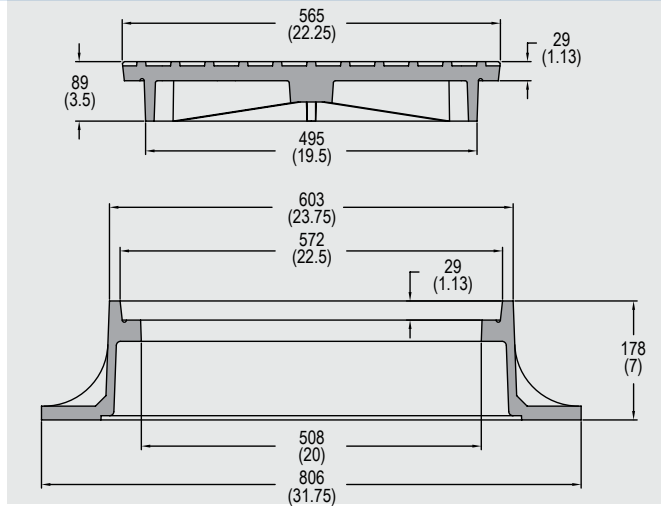
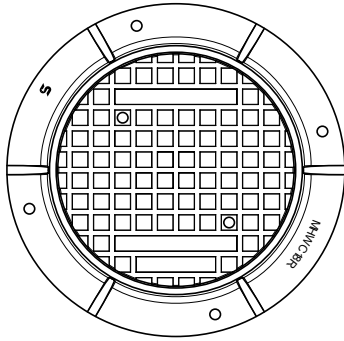
**Notes:**

- Material - Cast Iron
- Per ASTM A48 Class 30B
- Dimensions in MM, ( ) = Inches



**C18 MANHOLE**

**MH-5007**



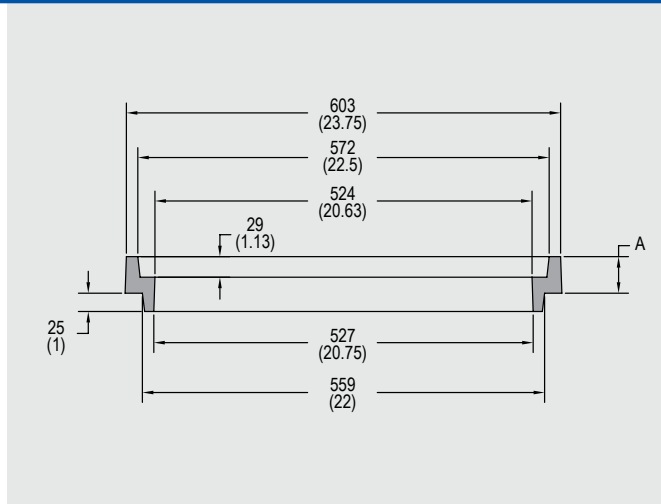
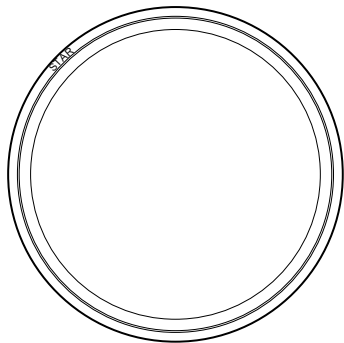
ITEM CODE	DETAILS
MHWC18	COMPLETE

**Notes:**

- Material - Cast Iron
- Per ASTM A48 Class 30B
- Dimensions in MM, ( ) = Inches

**EXT FOR MHWC18**

**MH-5008**



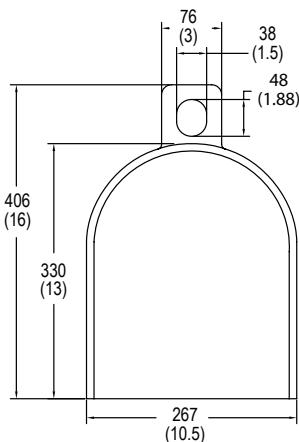
ITEM CODE	HEIGHT (A) (MM/IN)
MHWC18R1.5	38 / 1.5
MHWC18R2	51 / 2
MHWC18R3	76 / 3
MHWC18R4	102 / 4

**Notes:**

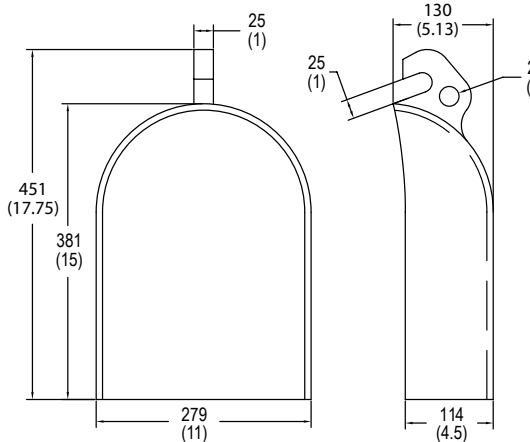
- Material - Cast Iron
- Per ASTM A48 Class 30B
- Dimensions in MM, ( ) = Inches

**BELL TRAP**

**MH-5009**



**13" BELL TRAP  
MHBT13**



**15" BELL TRAP  
MHBT15**

ITEM CODE	DETAILS
MHBT13	COMPLETE
MHBT15	COMPLETE

**Notes:**

- Material - Cast Iron
- Per ASTM A48 Class 30B
- Dimensions in MM, ( ) = Inches



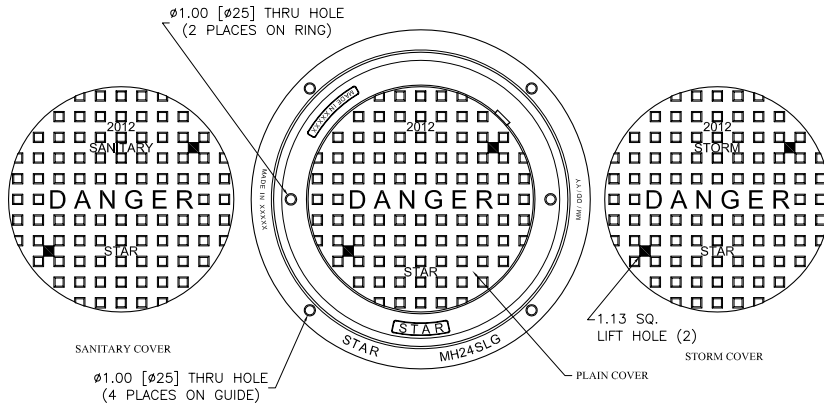
® REGISTERED TRADEMARK OF STAR PIPE PRODUCTS

STAR® PIPE CANADA, INC.  
CANADA CAMBRIDGE | TOLL FREE 1-888-893-7827 | FAX 519-650-1553  
www.starpipeproducts.com

24" 3 PCS SELF LEVEL MH

**MH-5010**

ITEM CODE	DETAILS
MH24SL	DANGER



**Notes:**

- Cover & Ring Material: Ductile Iron ASTM A536 Grade 65-45-12
- Guide Material: Cast Iron Per ASTM A48 Class 30B
- Dimensions in Inches, ( ) = mm

