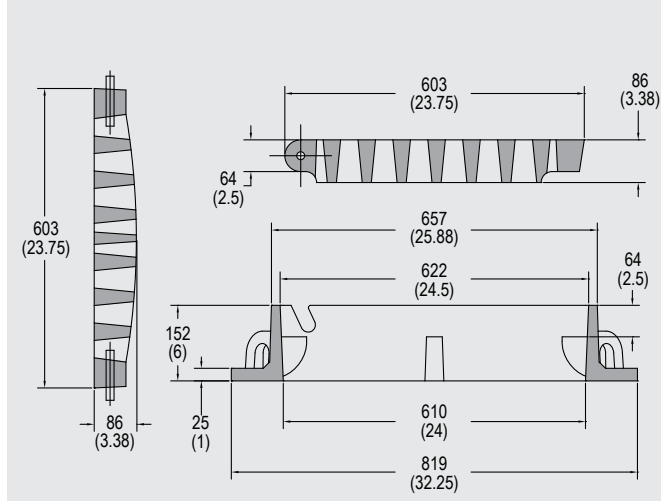
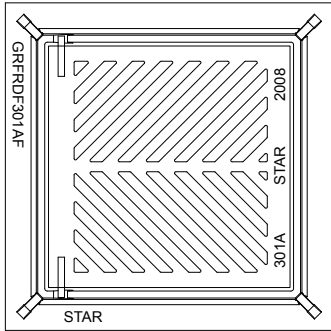


TABLE OF CONTENTS
[CLICK NAME TO NAVIGATE](#)

NAME	CAT #
400.02 CATCH BASIN	FG-5001
OTTAWA FISH TYPE SQUARE CATCH & BASIN COMPLETE	FG-5002
400.01 CATCH BASIN	FG-5003
400.10 CATCH BASIN	FG-5004
400.11 CATCH BASIN	FG-5005
8000 SERIES DUCTILE IRON FRAME & GRATE	FG-5006
26A ROUND FRAME & GRATE	FG-5007
26B ROUND GRATE	FG-5008
400.082 CATCH BASIN "FISH LOGO"	FG-5009
400.070 CATCH BASIN SQ. FRAME & CIRCULAR GRATE	FG-5010

400.02 CATCH BASIN

FG-5001



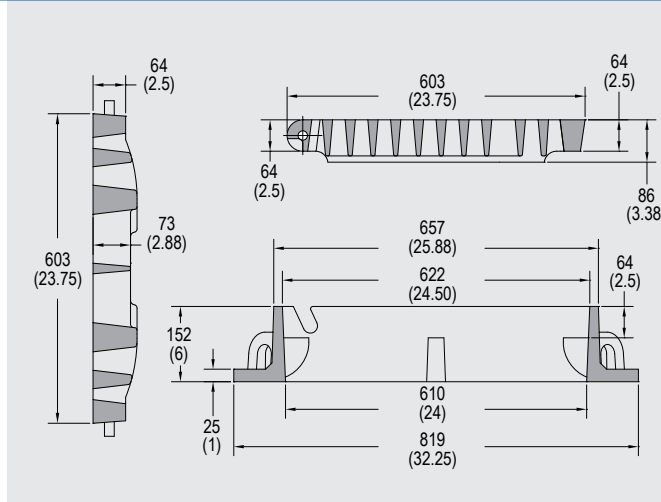
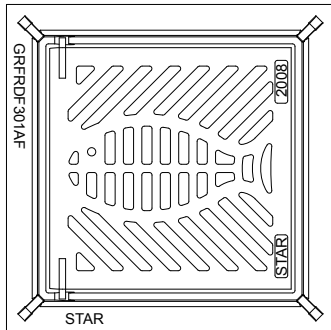
ITEM CODE	DETAILS
GRFRDF301A	COMPLETE

Notes:

- Material - Cast Iron
Per ASTM A48 Class 30B
- Dimensions in MM, () = Inches

OTTAWA FISH TYPE SQUARE CATCH & BASIN COMPLETE

FG-5002



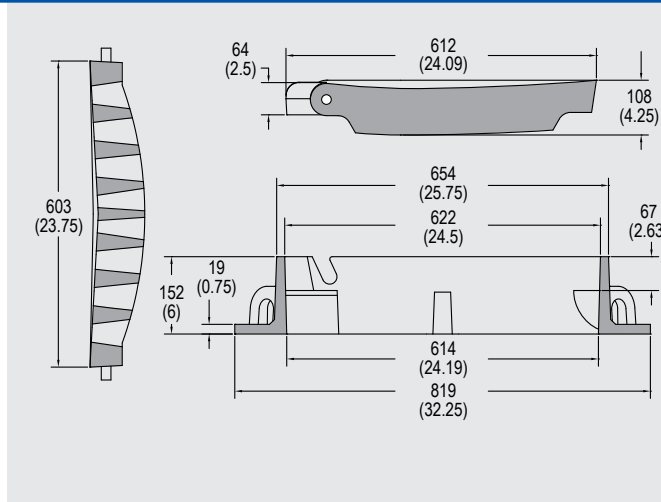
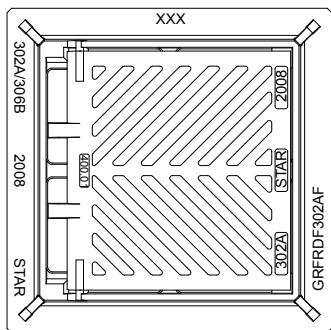
ITEM CODE	DETAILS
GRFRDF301B	COMPLETE

Notes:

- Material - Cast Iron
Per ASTM A48 Class 30B
- Dimensions in MM, () = Inches

400.01 CATCH BASIN

FG-5003



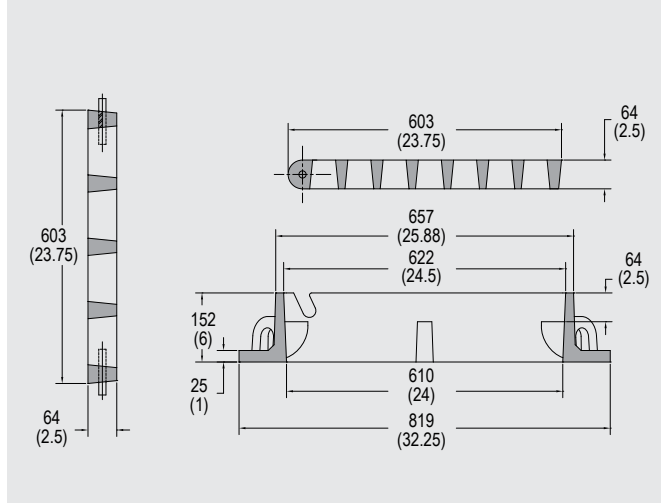
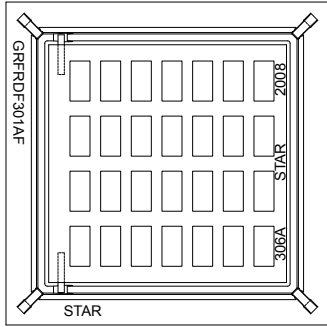
ITEM CODE	DETAILS
GRFRDF302A	COMPLETE

Notes:

- Material - Cast Iron
Per ASTM A48 Class 30B
- Dimensions in MM, () = Inches

400.10 CATCH BASIN

FG-5004



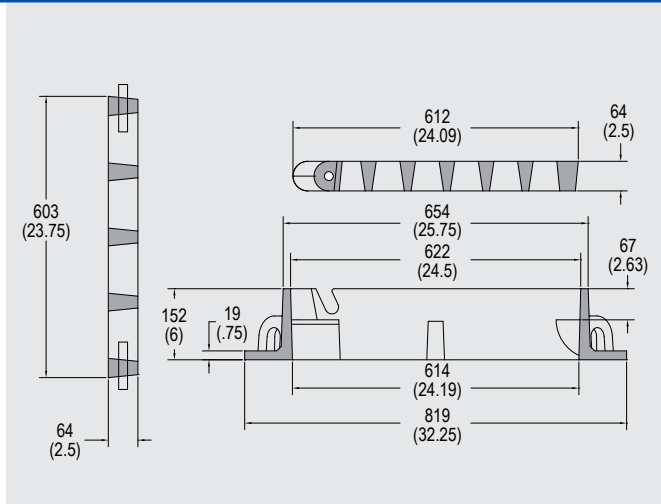
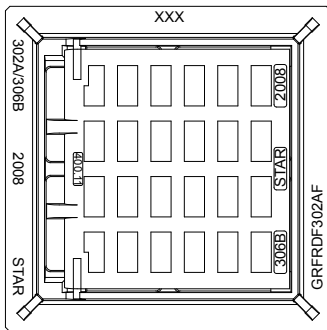
ITEM CODE	DETAILS
GRFRDF306A	COMPLETE

Notes:

- Material - Cast Iron
- Per ASTM A48 Class 30B
- Dimensions in MM, () = Inches

400.11 CATCH BASIN

FG-5005



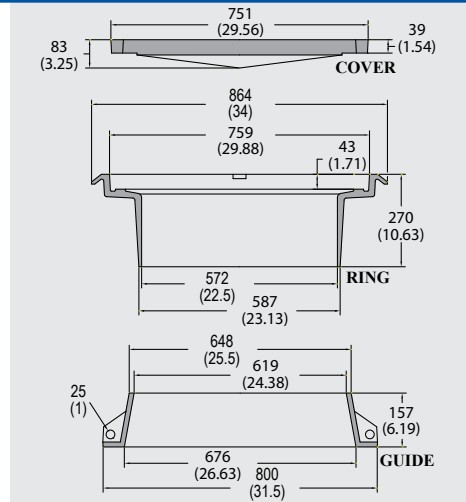
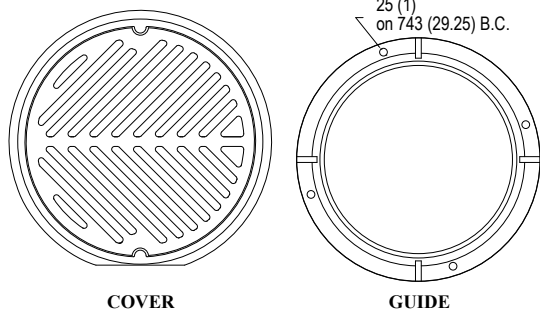
ITEM CODE	DETAILS
GRFRDF306B	COMPLETE

Notes:

- Material - Cast Iron
- Per ASTM A48 Class 30B
- Dimensions in MM, () = Inches

8000 SERIES DUCTILE IRON FRAME & GRATE

FG-5006



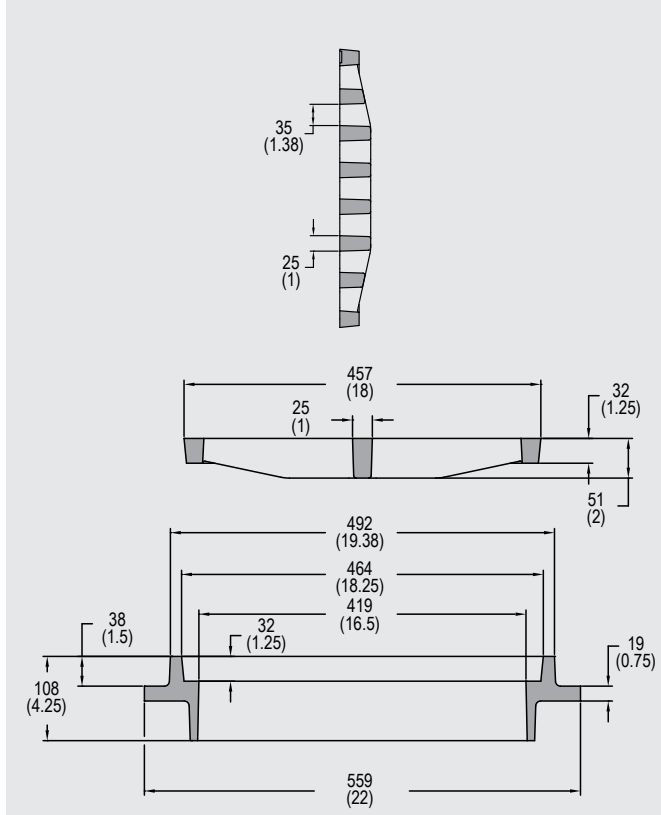
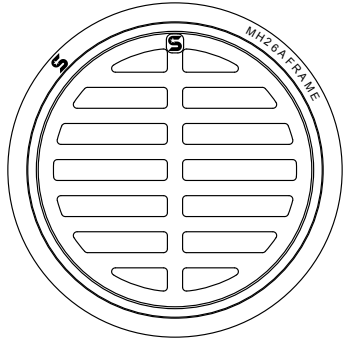
ITEM CODE	DETAILS
MH8001	COMPLETE

Notes:

- Material:
- Cover & Ring: Ductile Iron ASTM A356 Grade 65-45-12
- Guide: Cast Iron Per ASTM A48 Class 30B
- Dimensions in MM, () = Inches

26A ROUND FRAME & GRATE

FG-5007



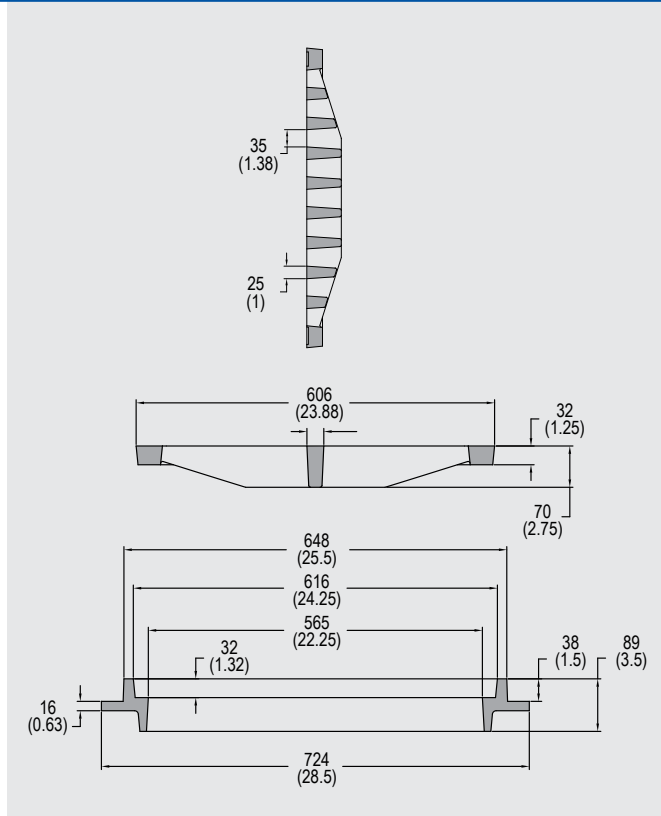
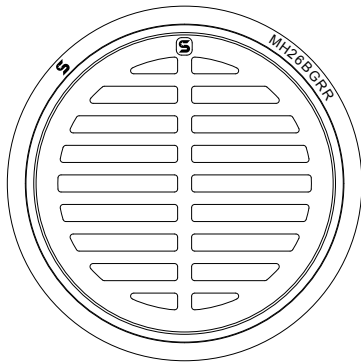
ITEM CODE	DETAILS
MH26AGR	COMPLETE

Notes:

- Material - Cast Iron
- Per ASTM A48 Class 30B
- Dimensions in MM, () = Inches

26B ROUND GRATE

FG-5008



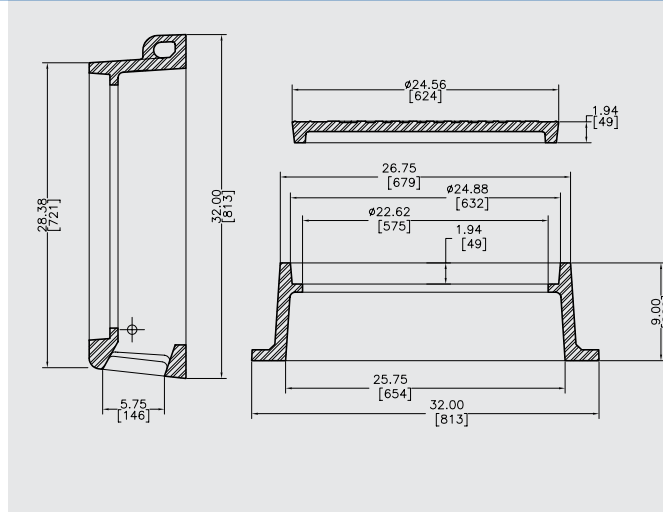
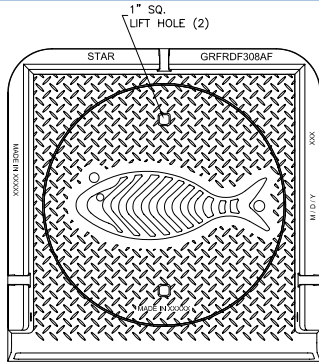
ITEM CODE	DETAILS
MH26BGR	COMPLETE

Notes:

- Material - Cast Iron
- Per ASTM A48 Class 30B
- Dimensions in MM, () = Inches

400.082 CATCH BASIN "FISH LOGO"

FG-5009

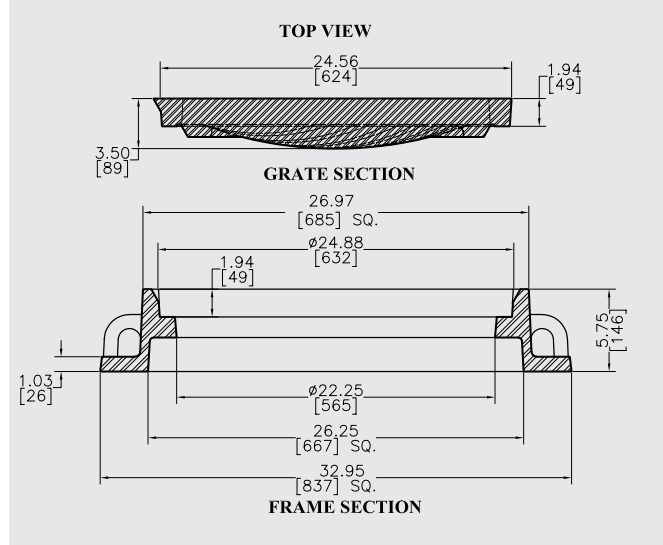
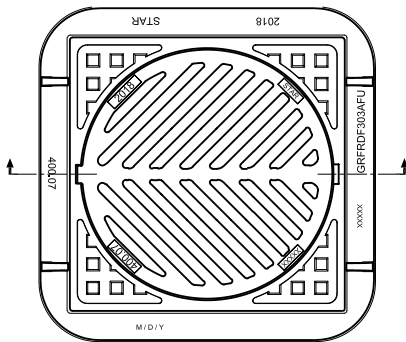


ITEM CODE	DETAILS
GRFRDF308A	COMPLETE

- Notes:**
- Material - Cast Iron Per ASTM A48 Class 30B
 - Dimensions in Inches [] = mm

400.070 CATCH BASIN SQ. FRAME & CIRCULAR GRATE

FG-5010



ITEM CODE	DETAILS
GRFRDF303AU	COMPLETE

- Notes:**
- Material - Cast Iron per ASTM A48 Class 30B.
 - Proof Load : 40,000 lbs Per AASHTO M306.
 - Dimensions in inches, [] = mm.