

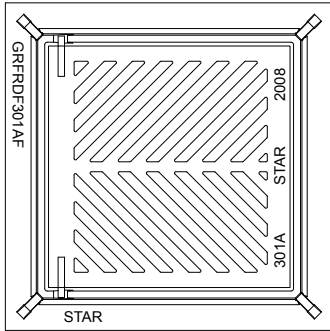
TABLE OF CONTENTS
[CLICK NAME TO NAVIGATE](#)

NAME	CAT #
400.02 CATCH BASIN	FG-5001
OTTAWA FISH TYPE SQUARE CATCH & BASIN COMPLETE	FG-5002
400.01 CATCH BASIN	FG-5003
400.10 CATCH BASIN	FG-5004
400.11 CATCH BASIN	FG-5005
8000 SERIES DUCTILE IRON FRAME & GRATE	FG-5006
26A ROUND FRAME & GRATE	FG-5007
26B ROUND GRATE	FG-5008
400.082 CATCH BASIN "FISH LOGO"	FG-5009



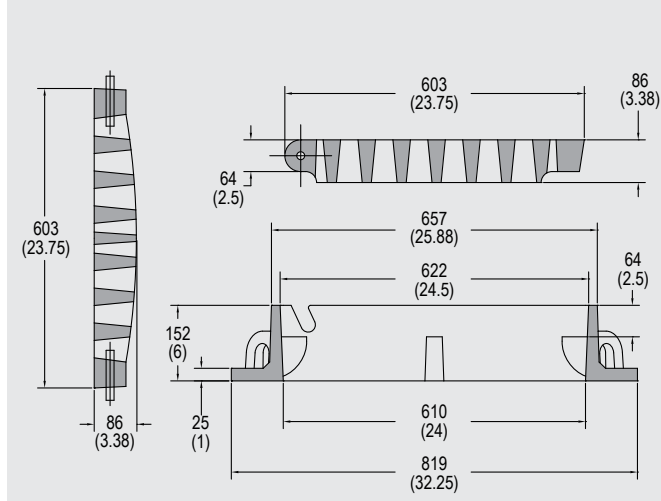
400.02 CATCH BASIN

FG-5001



Notes:

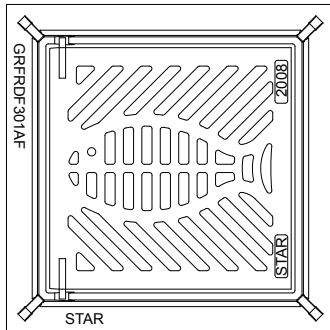
- Material - Cast Iron
Per ASTM A48 Class 30B
- Dimensions in MM, () = Inches



ITEM CODE	DETAILS
GRFRDF301A	COMPLETE

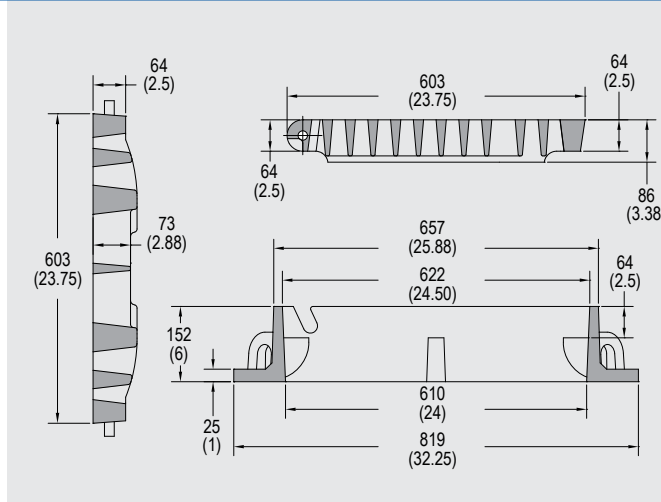
OTTAWA FISH TYPE SQUARE CATCH & BASIN COMPLETE

FG-5002



Notes:

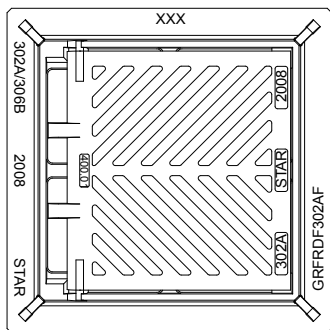
- Material - Cast Iron
Per ASTM A48 Class 30B
- Dimensions in MM, () = Inches



ITEM CODE	DETAILS
GRFRDF301B	COMPLETE

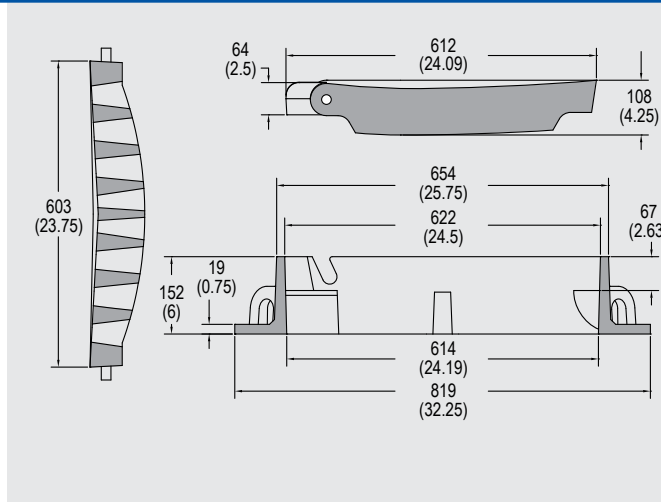
400.01 CATCH BASIN

FG-5003



Notes:

- Material - Cast Iron
Per ASTM A48 Class 30B
- Dimensions in MM, () = Inches

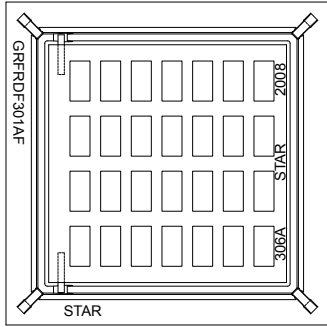


ITEM CODE	DETAILS
GRFRDF302A	COMPLETE

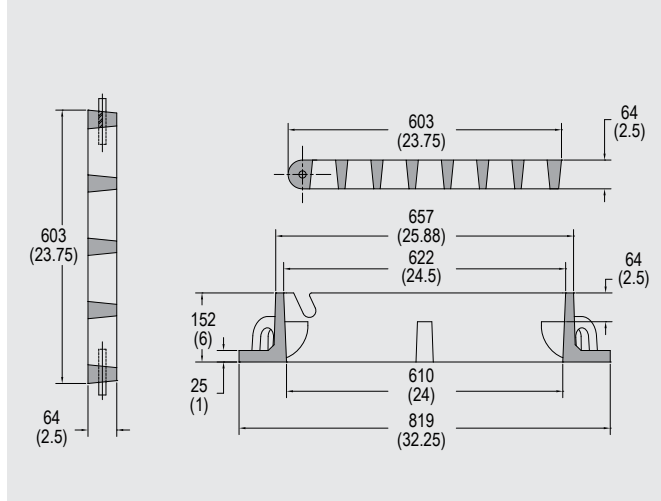


400.10 CATCH BASIN

FG-5004



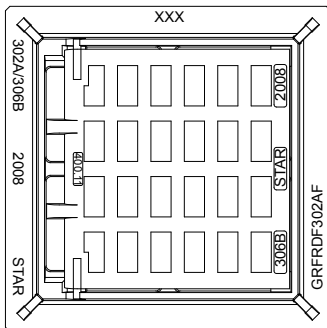
- Notes:**
- Material - Cast Iron
Per ASTM A48 Class 30B
 - Dimensions in MM, () = Inches



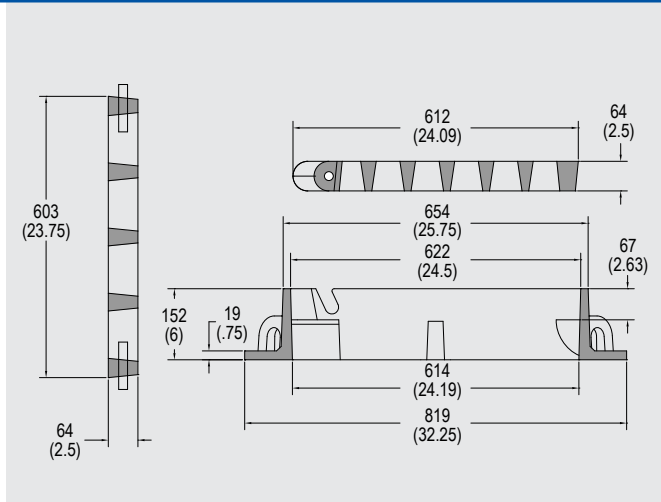
ITEM CODE	DETAILS
GRFRDF306A	COMPLETE

400.11 CATCH BASIN

FG-5005



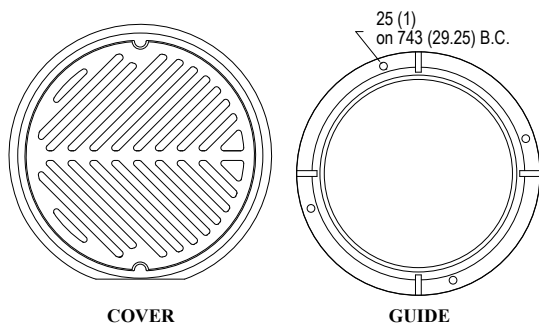
- Notes:**
- Material - Cast Iron
Per ASTM A48 Class 30B
 - Dimensions in MM, () = Inches



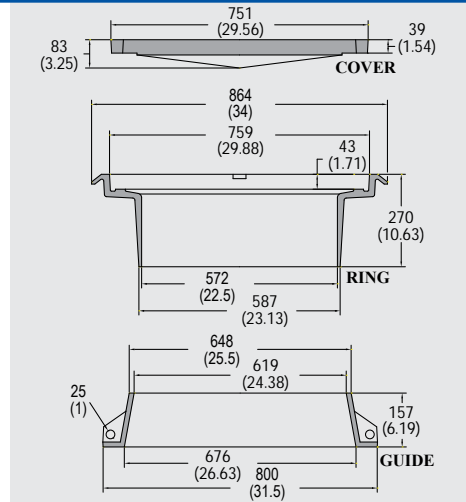
ITEM CODE	DETAILS
GRFRDF306B	COMPLETE

8000 SERIES DUCTILE IRON FRAME & GRATE

FG-5006



- Notes:**
- Material:
 - Cover & Ring: Ductile Iron ASTM A356 Grade 65-45-12
 - Guide: Cast Iron Per ASTM A48 Class 30B
 - Dimensions in MM, () = Inches

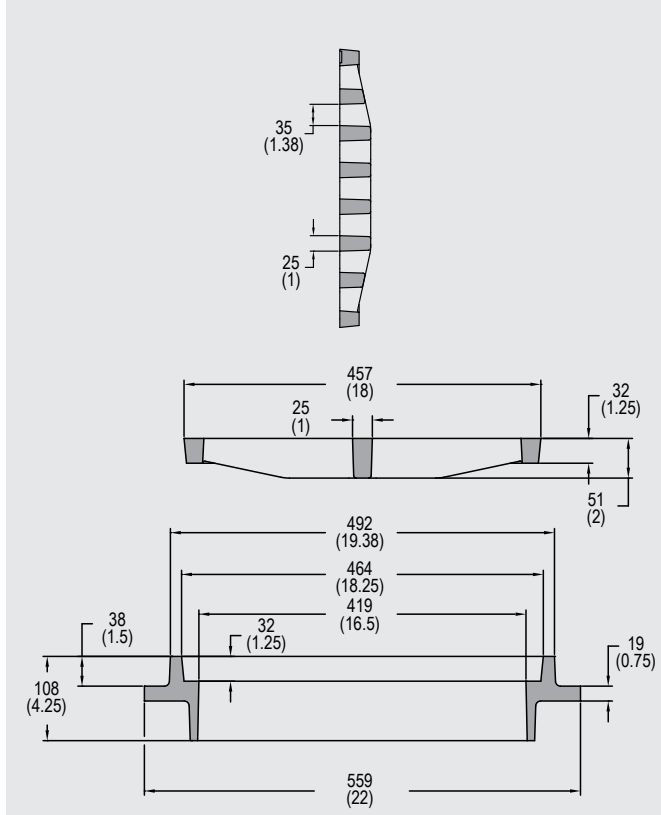
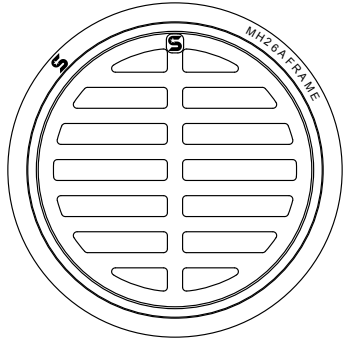


ITEM CODE	DETAILS
MH8001	COMPLETE



26A ROUND FRAME & GRATE

FG-5007



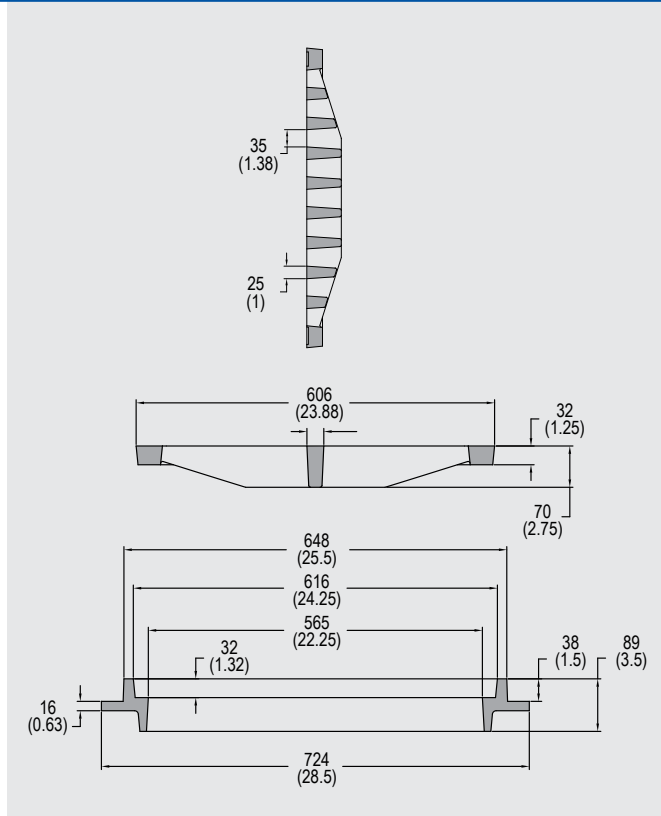
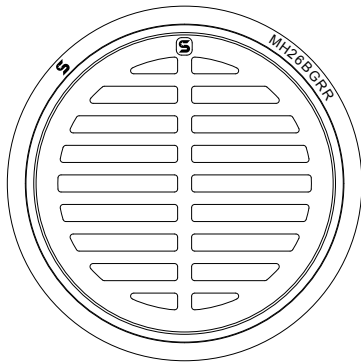
ITEM CODE	DETAILS
MH26AGR	COMPLETE

Notes:

- Material - Cast Iron
Per ASTM A48 Class 30B
- Dimensions in MM, () = Inches

26B ROUND GRATE

FG-5008



ITEM CODE	DETAILS
MH26BGR	COMPLETE

Notes:

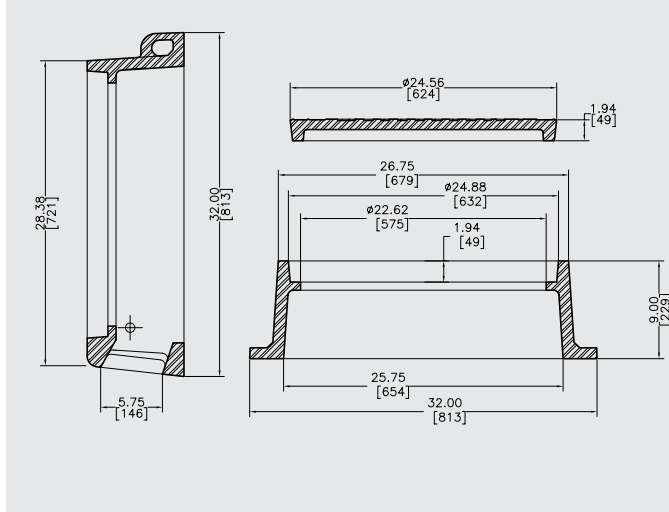
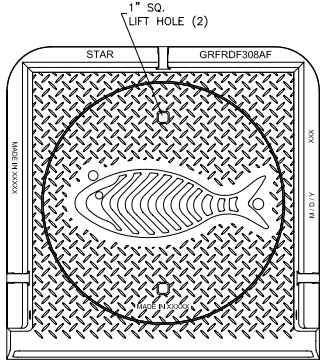
- Material - Cast Iron
Per ASTM A48 Class 30B
- Dimensions in MM, () = Inches



400.082 CATCH BASIN "FISH LOGO"

FG-5009

ITEM CODE	DETAILS
GRFRDF308A	COMPLETE



- Notes:**
- Material - Cast Iron Per ASTM A48 Class 30B
 - Dimensions in Inches [] = mm

