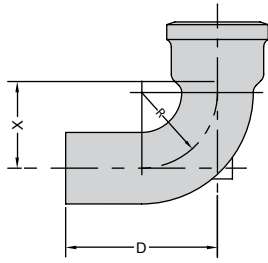


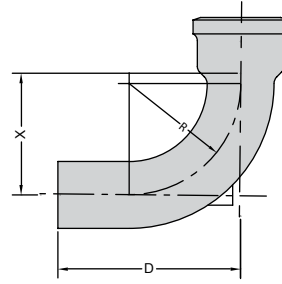


SV Fittings

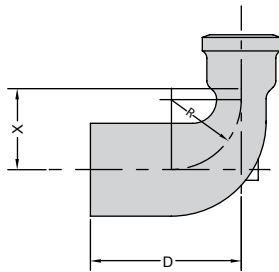
STAR[®] PIPE PRODUCTS



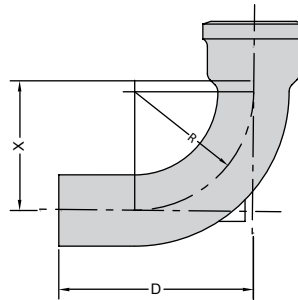
1/4 BEND* - 90°						
NOM. SIZE	PART NO.	UPC CODE	D	R	X	WT (LBS.)
2	SV0100	829351279473	6	3	3 1/4	5.1
3	SV0101	829351280035	7	3 1/2	4	7.4
4	SV0102	829351280585	8	4	4 1/2	13.1
5	SV0103	829351279848	8 1/2	4 1/2	5	17.0
6	SV0104	829351280400	9	5	5 1/2	23.1
8	SV0105	829351279664	11 1/2	6	6 5/8	41.0
10	SV0106	829351283319	12 1/2	7	7 5/8	59.0
12	SV0107	829351282794	15	8	8 3/4	79.0
15	SV0108	829351283180	16 1/2	9 1/2	10 1/4	218.0



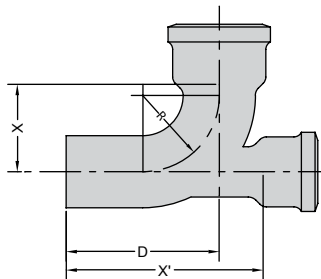
SHORT SWEEP BEND* - 90°						
NOM. SIZE	PART NO.	UPC CODE	D	R	X	WT (LBS.)
2	SV0400	829351279695	8	5	5 1/4	5.7
3	SV0401	829351280257	9	5 1/2	6	9.4
4	SV0402	829351279510	10	6	6 1/2	14.2
5	SV0403	829351280073	10 1/2	6 1/2	7	18.7
6	SV0404	829351280622	11	7	7 1/2	26.9
8	SV0405	829351279886	13 1/2	8	8 5/8	40.3
10	SV0406	829351282695	14 1/2	9	9 5/8	78.0
12	SV0407	829351283050	17	10	10 3/4	107.0



REDUCING 1/4 BEND*						
NOM. SIZE	PART NO.	UPC CODE	D	R	X	WT (LBS.)
4 x 2	SV0201	829351280424	7	3 1/4	3 3/4	7.1



LONG SWEEP BEND* - 90°						
NOM. SIZE	PART NO.	UPC CODE	D	R	X	WT (LBS.)
2	SV0380	829351280240	11	8	8 1/4	8.2
3	SV0381	829351279503	12	8 1/2	9	10.1
4	SV0382	829351280066	13	9	9 1/2	20.1
5	SV0383	829351280615	13 1/2	9 1/2	10	22.0
6	SV0384	829351279879	14	10	10 1/2	29.0
8	SV0385	829351280431	16 1/2	11	11 5/8	53.0
10	SV0386	829351283449	17 1/2	12	12 5/8	95.0
12	SV0387	829351282923	20	13	13 3/4	105.0
15	SV0388	829351283326	21 1/2	14 1/2	15 1/4	230.0



1/4 BEND W/ LOW HEEL INLET* - 90°							
NOM. SIZE	PART NO.	UPC CODE	D	R	X	X'	WT (LBS.)
4 x 2	SV0186	829351279688	8	4	4 1/2	10 1/2	12.2

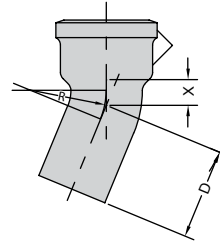
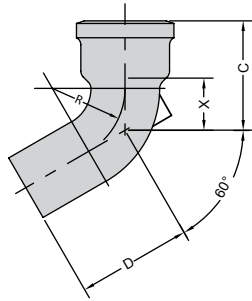
Note: All dimensions and tolerances are from ASTM A-74 for SV fittings covered by the standard. See page 32 for Hub & Spigot Details. See page 30 for tapping boss details

*All dimensions in inches except where indicated.

REV: 10.01
 *REGISTERED TRADEMARK OF STAR PIPE PRODUCTS

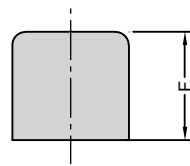
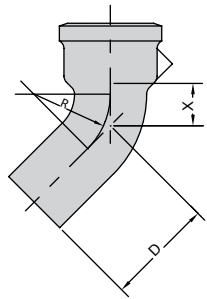
STAR PIPE PRODUCTS
 PLUMBING DIVISION TOLL FREE 1-877-909-7827 FAX 866-868-7827
 www.starpipeproducts.com





1/6 BEND* - 60°							
NOM. SIZE	PART NO.	UPC CODE	D	R	C	X	WT (LBS.)
2	SV0117	829351283012	4 3/4	3	4 1/2	2	4.0
3	SV0118	829351283401	5 1/2	3 1/2	5 1/4	2 1/2	6.0
4	SV0119	829351282886	6 5/16	4	5 13/16	2 13/16	8.0
6	SV0121	829351283272	6 7/8	5	6 3/8	3 3/8	10.0
10	SV0123	829351282756	9 9/16	7	8 3/16	4 11/16	22.0

1/16 BEND* - 22 1/2°						
NOM. SIZE	PART NO.	UPC CODE	D	R	X	WT (LBS.)
2	SV0135	829351280059	3 5/8	3	7/8	3.0
3	SV0136	829351280608	4 3/16	3 1/2	1 3/16	6.0
4	SV0137	829351279862	4 13/16	4	1 5/16	9.0
5	SV0138	829351282664	4 7/8	4 1/2	1 3/8	9.0
6	SV0139	829351283067	5	5	1 1/2	12.0
8	SV0140	829351283456	6 11/16	6	1 13/16	25.0
10	SV0141	829351282930	6 7/8	7	2	39.0
12	SV0142	829351283333	8 5/8	8	2 3/8	56.0
15	SV0143	829351282800	8 7/8	9 1/2	2 5/8	78.0



1/8 BEND* - 45°						
NOM. SIZE	PART NO.	UPC CODE	D	R	X	WT (LBS.)
2	SV0126	829351280226	4 1/4	3	1 1/2	4.0
3	SV0127	829351279480	4 15/16	3 1/2	1 15/16	7.0
4	SV0128	829351280042	5 11/16	4	2 3/16	10.0
5	SV0129	829351280592	5 7/8	4 1/2	2 3/8	11.0
6	SV0130	829351279855	6 1/16	5	2 9/16	18.0
8	SV0131	829351280417	8	6	3 1/8	34.0
10	SV0132	829351279671	8 3/8	7	3 1/2	50.0
12	SV0133	829351280233	10 5/16	8	4 1/16	69.0
15	SV0134	829351279497	10 15/16	9 1/2	4 11/16	144.0

BLIND PLUG*				
NOM. SIZE	PART NO.	UPC CODE	F	WT (LBS.)
2	SV6550	829351280448	3 1/2	1.0
3	SV6551	829351279701	3 3/4	2.0
4	SV6552	829351280264	4	3.0
5	SV6553	829351283197	4	6.0
6	SV6554	829351282671	4	6.0
8	SV6555	829351283074	4 1/2	11.0
10	SV6556	829351283463	4 1/2	17.0
12	SV6557	829351282947	5 1/4	25.0
15	SV6558	829351283340	5 1/4	35.0

Note: All dimensions and tolerances are from ASTM A-74 for SV fittings covered by the standard. See page 32 for Hub & Spigot Details. See page 30 for tapping boss details
 *All dimensions in inches except where indicated.

REV: 10.01

*REGISTERED TRADEMARK OF STAR PIPE PRODUCTS

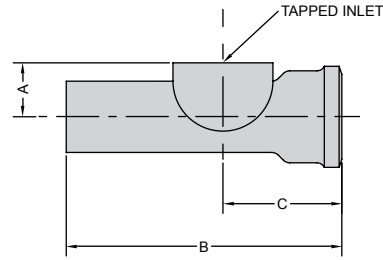
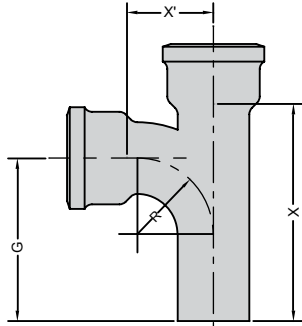


STAR PIPE PRODUCTS
 PLUMBING DIVISION TOLL FREE 1-877-909-7827 FAX 866-868-7827
 www.starpipeproducts.com

STAR[®] PIPE PRODUCTS



SV Fittings



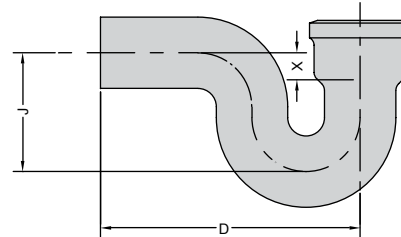
SANITARY TEE*

NOM. SIZE	PART NO.	UPC CODE	G	R	X	X'	WT (LBS.)
2	SV0550	829351280295	6 1/4	2 1/2	8	2 3/4	7.0
3 x 2	SV0551	829351279541	7	3	9	4	11.0
3	SV0552	829351280110	7 1/2	3 1/2	10	4	11.0
4 x 2	SV0553	829351280660	7	3	9	4 1/2	13.0
4 x 3	SV0554	829351279923	7 1/2	3 1/2	10	4 1/2	15.0
4	SV0555	829351280486	8	4	11	4 1/2	17.0
5 x 4	SV0558	829351283203	8	4	11	5	18.0
5	SV0559	829351282817	8 1/2	4 1/2	12	5	19.0
6 x 2	SV0560	829351282688	7	3	9	5 1/2	17.0
6 x 3	SV0561	829351283081	7 1/2	3 1/2	10	5 1/2	19.0
6 x 4	SV0562	829351283524	8	4	11	5 1/2	24.0
6	SV0564	829351282954	9	5	13	5 1/2	29.0
8 x 4	SV0567	829351283357	9 3/4	4	13	6 1/2	38.0
8 x 6	SV0569	829351282824	10 3/4	5	15	6 1/2	40.0
8	SV0570	829351283227	11 3/4	6	17	6 5/8	49.0
10 x 4	SV0573	829351282701	9 3/4	4	13	7 1/2	50.0
10 x 6	SV0575	829351283098	10 3/4	5	15	7 1/2	55.0
10 x 8	SV0576	829351283494	11 3/4	6	17	7 5/8	68.0
10	SV0577	829351282961	12 3/4	7	19	7 5/8	78.0
12 x 6	SV0581	829351283364	12	5	16 1/2	8 1/2	80.0
12 x 8	SV0582	829351282831	13	6	18 1/2	8 5/8	111.0
12 x 10	SV0583	829351283234	14	7	20 1/2	8 5/8	115.0
12	SV0584	829351282718	15	8	22 1/2	8 3/4	113.0
15	SV0591	829351283128	16 1/2	9 1/2	25 1/2	10 1/4	245.0

TEST TEE*

NOM. SIZE	PART NO.	UPC CODE	A	B	C	TAP SIZE	WT (LBS.)
2	SV0300	829351279893	2	10 3/8	4 1/4	2	6.0
3	SV0305	829351280455	2 11/16	12 3/4	5 1/2	3	10.0
4	SV0320	829351279718	3	13 7/8	6	4	14.0
5	SV0330	829351283043	4 1/2	15	7 1/8	5	22.0
6	SV0335	829351283432	5	16	7 1/8	6	26.0
8 x 6	SV0340	829351282916	6	16	7	6	52.0
8	SV0345	829351283302	6	20 1/2	9 1/2	8	47.0
10	SV0360	829351282787	6 1/2	20 1/2	9 7/8	10	73.0

Threads in accordance with ANSI/ASME B1.20.1



P-TRAP*

NOM. SIZE	PART NO.	UPC CODE	D	J	X	WT (LBS.)
2	SV7020	829351279527	9 1/2	4	1 1/2	7.0
3	SV7021	829351280080	12	5 1/2	1 1/4	13.0
4	SV7022	829351280639	14	6 1/2	1	17.0
5	SV7023	829351283470	15 1/2	7 1/2	1/2	33.0
6	SV7024	829351282978	17	8 1/2	-	31.0
8	SV7025	829351283371	22 1/16	11 1/2	1/2	97.0
10	SV7026	829351282848	25	14	1/2	113.0

Note: All dimensions and tolerances are from ASTM A-74 for SV fittings covered by the standard. See page 32 for Hub & Spigot Details. See page 30 for tapping boss details

*All dimensions in inches except where indicated.

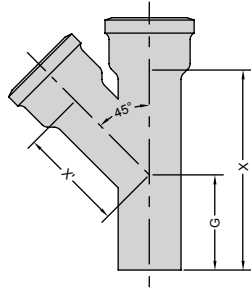
REV: 10.01

*REGISTERED TRADEMARK OF STAR PIPE PRODUCTS

STAR PIPE PRODUCTS
 PLUMBING DIVISION TOLL FREE 1-877-909-7827 FAX 866-868-7827
 www.starpipeproducts.com



STAR[®] PIPE PRODUCTS



WYE*						
NOM. SIZE	PART NO.	UPC CODE	G	X	X'	WT (LBS.)
2	SV0600	829351279749	4	8	4	8.0
3 x 2	SV0601	829351280301	4 3/16	9	5	12.0
3	SV0602	829351279565	5	10 1/2	5 1/2	14.0
4 x 2	SV0603	829351280127	3 5/8	9	5 3/4	13.0
4 x 3	SV0604	829351280677	4 7/16	10 1/2	6 1/4	17.0
4	SV0605	829351279930	5 1/4	12	6 3/4	18.0
5 x 2	SV0606	829351283210	3 1/8	9	6 1/2	14.0
5 x 3	SV0607	829351280493	3 7/8	10 1/2	7	17.0
5 x 4	SV0608	829351279756	4 1 1/16	12	7 1/2	19.0
5	SV0609	829351280318	5 1/2	13 1/2	8	26.0
6 x 2	SV0610	829351279572	2 9/16	9	7 1/4	20.0
6 x 3	SV0611	829351280134	3 3/8	10 1/2	7 3/4	19.0
6 x 4	SV0612	829351280684	4 3/16	12	8 1/4	27.0
6 x 5	SV0613	829351282725	4 1 5/16	13 1/2	8 3/4	31.0
6	SV0614	829351279947	5 3/4	15	9 1/4	36.0
8 x 2	SV0615	829351283104	3 1/8	10 1/2	8 1/2	31.0
8 x 3	SV0616	829351283487	3 1 5/16	12	9	33.0
8 x 4	SV0617	829351280509	4 3/4	13 1/2	9 1/2	45.0
8 x 5	SV0618	829351279763	5 1/2	15	10	39.0
8 x 6	SV0619	829351280325	6 3/16	16 1/2	10 1/2	53.0
8	SV0620	829351279589	7 1 1/16	19 1/2	11 1 3/16	65.0
10 x 3	SV0622	829351282985	2 3/4	12	10 3/4	56.0
10 x 4	SV0623	829351280141	3 9/16	13 1/2	11 1/8	64.0
10 x 5	SV0624	829351283388	4 5/16	15	11 5/8	65.0
10 x 6	SV0625	829351280691	5 1/8	16 1/2	12 1/8	76.0
10 x 8	SV0626	829351279954	6 1/2	19 1/2	13 7/16	85.0
10	SV0627	829351280516	8	22 1/2	14 1/2	107.0
12 x 4	SV0630	829351283173	4 1/8	15	12 7/16	76.0
12 x 5	SV0631	829351282657	4 7/8	16 1/2	12 1 5/16	75.0
12 x 6	SV0632	829351279770	5 1 1/16	18	13 7/16	84.0
12 x 8	SV0633	829351280332	7 1/16	21	14 3/4	110.0
12 x 10	SV0634	829351279596	8 9/16	24	15 1 3/16	159.0
12	SV0635	829351280158	10 1/8	27	16 7/8	176.0
15 x 4	SV0636	829351280707	2 1/2	15 1/4	15	138.0
15 x 6	SV0638	829351279961	4	18	15 3/4	171.0
15 x 8	SV0639	829351280523	5 3/8	21	17 1/16	207.0
15 x 10	SV0640	829351279787	6 7/8	24	18 1/8	213.0
15 x 12	SV0641	829351280349	8 7/16	27	19 3/16	242.0
15	SV0642	829351279602	10 3/4	31 1/2	20 3/4	333.0

STAR® PIPE PRODUCTS

Note: All dimensions and tolerances are from ASTM A-74 for SV fittings covered by the standard. See page 32 for Hub & Spigot Details. See page 30 for tapping boss details
 *All dimensions in inches except where indicated.

REV: 10.01

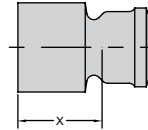
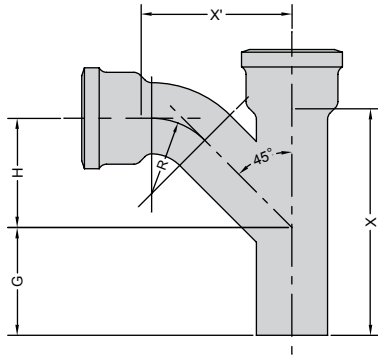
*REGISTERED TRADEMARK OF STAR PIPE PRODUCTS



STAR PIPE PRODUCTS
 PLUMBING DIVISION TOLL FREE 1-877-909-7827 FAX 866-868-7827
 www.starpipeproducts.com



SV Fittings

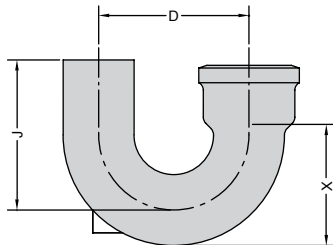


COMBINATION WYE & 1/8 BEND*

NOM. SIZE	PART NO.	UPC CODE	G	H	R	X	X'	WT (LBS.)
2	SV0800	829351280271	4	3 3/8	3	8	4 7/8	8.0
3 x 2	SV0801	829351279534	4 3/16	4	3	9	5 3/4	12.0
3	SV0802	829351280097	5	5 1/16	3 1/2	10 1/2	7	14.0
4 x 2	SV0804	829351280646	3 11/16	4 1/2	3	9	6 1/4	15.0
4 x 3	SV0805	829351279909	4 1/2	5 9/16	3 1/2	10 1/2	7 1/2	18.0
4	SV0806	829351280462	5 1/4	6 13/16	4	12	9	24.0
5 x 2	SV0807	829351313504	3 3/8	5	3	9	6 3/4	15.0
5 x 3	SV0808	829351313511	4	6 1/16	3 1/2	10 1/2	8	22.0
5 x 4	SV0809	829351279725	4 1/4	7 5/16	4	12	9 1/2	24.0
6 x 2	SV0811	829351280288	2 11/16	5 1/2	3	9	7 1/4	17.0
6 x 3	SV0812	829351279558	3 1/8	6 9/16	3 1/2	10 1/4	8 1/2	21.0
6 x 4	SV0813	829351280103	4 1/4	7 13/16	4	12	10	32.0
6 x 5	SV0814	829351313528	5 1/16	9 1/8	4 1/2	13 1/2	11 1/2	40.0
6	SV0815	829351280653	5 3/4	10 5/16	5	15	12 7/8	45.0
8 x 4	SV0818	829351279916	4 3/4	8 13/16	4	13 1/2	11	44.0
8 x 6	SV0820	829351280479	6 5/16	11 5/16	5	16 1/2	13 7/8	60.0
8	SV0821	829351279732	7 11/16	13 7/8	6	19 1/2	17	85.0

REDUCER*

NOM. SIZE	PART NO.	UPC CODE	X	WT (LBS.)
3 x 2	SV5700	829351280165	4 3/4	5.0
4 x 2	SV5701	829351280714	5	5.0
4 x 3	SV5702	829351279978	5	7.0
5 x 2	SV5703	829351282855	5	6.0
5 x 3	SV5704	829351283258	5	7.0
5 x 4	SV5705	829351280530	5	8.0
6 x 2	SV5706	829351282749	5	7.0
6 x 3	SV5707	829351283111	5	8.0
6 x 4	SV5708	829351279794	5	9.0
6 x 5	SV5709	829351280356	5	9.0
8 x 4	SV5712	829351279619	6	13.0
8 x 5	SV5713	829351283500	6	14.0
8 x 6	SV5714	829351280172	6	15.0
10 x 4	SV5717	829351280721	6	17.0
10 x 5	SV5718	829351283005	6	38.0
10 x 6	SV5719	829351279985	6	19.0
10 x 8	SV5720	829351280547	6	24.0
12 x 4	SV5723	829351283395	6 1/2	22.0
12 x 6	SV5725	829351282862	6 1/2	24.0
12 x 8	SV5726	829351283241	6 1/2	31.0
12 x 10	SV5727	829351279800	6 1/2	37.0
15 x 6	SV5730	829351283135	6 1/2	60.0
15 x 8	SV5731	829351283517	6 1/2	65.0
15 x 10	SV5732	829351282992	6 1/2	70.0
15 x 12	SV5733	829351280363	6 1/2	80.0



SINGLE HUB RETURN BEND*

NOM. SIZE	PART NO.	UPC CODE	D	J	X	WT (LBS.)
3	SV0350	829351283142	7	7	6	9.4
4	SV0351	829351283531	7 1/2	7 3/16	6 11/32	16.4

Note: All dimensions and tolerances are from ASTM A-74 for SV fittings covered by the standard. See page 32 for Hub & Spigot Details. See page 30 for tapping boss details

*All dimensions in inches except where indicated.

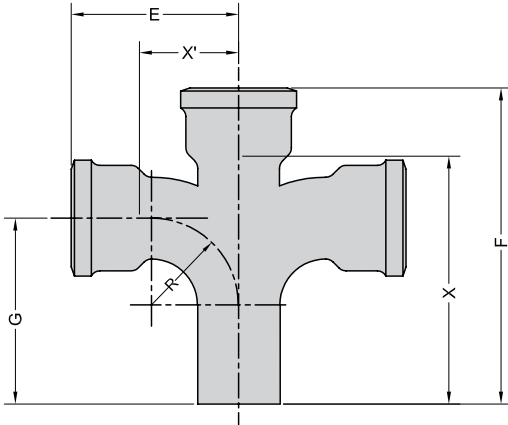
REV: 10.01

*REGISTERED TRADEMARK OF STAR PIPE PRODUCTS

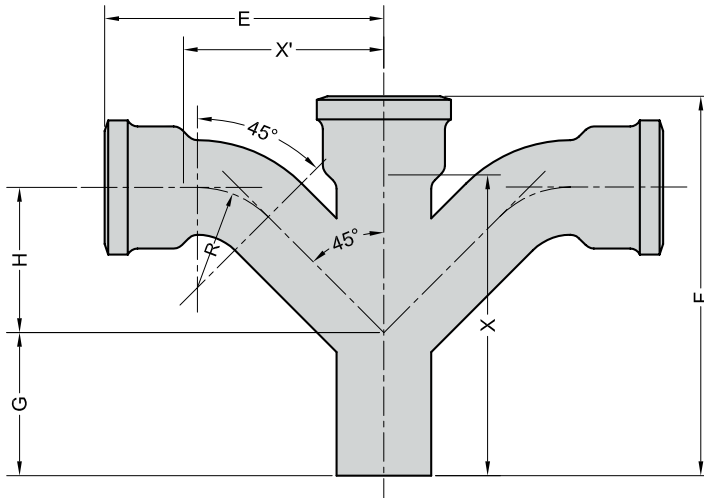
STAR PIPE PRODUCTS
 PLUMBING DIVISION TOLL FREE 1-877-909-7827 FAX 866-868-7827
 www.starpipeproducts.com



STAR[®] PIPE PRODUCTS



SANITARY CROSS*									
NOM. SIZE	PART NO.	UPC CODE	E	F	G	R	X	X'	WT (LBS.)
2	SV2830	829351334769	5 1/4	10 1/2	6 1/4	2 1/2	8	2 3/4	9.0
3 x 2	SV2831	829351334790	6 1/2	11 3/4	7	3	9	4	13.0
3	SV2832	829351334820	6 3/4	12 3/4	7 1/2	3 1/2	10	4	15.0
4 x 2	SV2833	829351334479	7	12	7	3	9	4 1/2	15.0
4	SV2835	829351334516	7 1/2	14	8	4	11	4 1/2	19.0
6	SV2844	829351334561	8 1/2	16	9	5	13	5 1/2	44.0



DOUBLE COMBINATION Y AND 1/8 BEND*										
NOM. SIZE	PART NO.	UPC CODE	E	F	G	H	R	X	X'	WT (LBS.)
2	SV2905	829351334837	7 3/8	10 1/2	4	3 3/8	3	8	4 7/8	11.0
3 x 2	SV2906	-	8 1/4	11 3/4	4 3/16	4	3	9	5 3/4	14.0
3	SV2907	-	9 3/4	13 1/4	5	5 1/16	3 1/2	10 1/2	7	20.0
4 x 2	SV2908	829351334585	8 3/4	12	3 11/16	4 1/2	3	9	6 1/4	17.0
4 x 3	SV2909	829351334622	10 1/4	13 1/2	4 1/2	5 9/16	3 1/2	10 1/2	7 1/2	23.0
4	SV2910	829351334660	12	15	5 1/4	6 13/16	4	12	9	34.0
6 x 4	SV2917	829351334707	13	15	4 1/4	7 13/16	4	12	10	52.0
6	SV2919	829351334738	15 7/8	18	5 3/4	10 5/16	5	15	12 7/8	65.0

Note: All dimensions and tolerances are from ASTM A-74 for SV fittings covered by the standard. See page 32 for Hub & Spigot Details. See page 30 for tapping boss details
 *All dimensions in inches except where indicated.

REV: 10.01

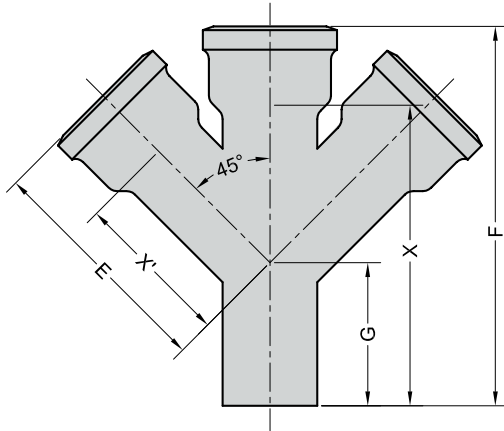
*REGISTERED TRADEMARK OF STAR PIPE PRODUCTS



STAR[®] PIPE PRODUCTS



SV Fittings



DOUBLE WYE*

NOM. SIZE	PART NO.	UPC CODE	E	F	G	X	X'	WT (LBS.)
2	SV2866	829351334462	6 1/2	10 1/2	4	8	4	9.0
3 x 2	SV2867	829351334509	7 1/2	11 3/4	4 3/16	9	5	13.0
3	SV2868	829351334554	8 1/4	13 1/4	5	10 1/2	5 1/2	17.0
4 x 2	SV2869	829351334608	8 1/4	12	3 5/8	9	5 3/4	15.0
4 x 3	SV2870	829351334646	9	13 1/2	4 7/16	10 1/2	6 1/4	19.0
4	SV2871	829351334684	9 3/4	15	5 1/4	12	6 3/4	23.0
5	SV2875	829351334721	11	16 1/2	5 1/2	13 1/2	8	27.0
6 x 3	SV2877	829351334752	10 1/2	13 1/2	3 3/8	10 1/2	7 3/4	23.0
6 x 4	SV2878	829351334783	11 1/4	15	4 3/16	12	8 1/4	32.0
6	SV2880	829351334813	12 1/4	18	5 3/4	15	9 1/4	45.0
8 x 4	SV2883	829351334455	12 1/2	17	4 3/4	13 1/2	9 1/2	47.0
8 x 6	SV2885	829351334493	13 1/2	20	6 5/16	16 1/2	10 1/2	66.0
8	SV2886	829351334547	15 5/16	23	7 11/16	19 1/2	11 13/16	90.0
10 x 6	SV2889	829351334592	15 1/8	20	5 1/8	16 1/2	12 1/8	81.0
10 x 8	SV2890	829351334639	16 15/16	23	6 1/2	19 1/2	13 7/16	114.0
10	SV2891	829351334677	18	26	8	22 1/2	14 1/2	120.0
12 x 6	SV2894	829351334714	16 7/16	22 1/4	5 11/16	18	13 7/16	112.0
12 x 8	SV2895	829351334745	18 1/4	25 1/4	7 1/16	21	14 3/4	136.0
12	SV2897	829351334776	21 1/8	31 1/4	10 1/8	27	16 7/8	200.0
15	SV2904	829351334806	25	35 3/4	10 3/4	31 1/2	20 3/4	354.0

Note: All dimensions and tolerances are from ASTM A-74 for SV fittings covered by the standard. See page 32 for Hub & Spigot Details. See page 30 for tapping boss details
 *All dimensions in inches except where indicated.

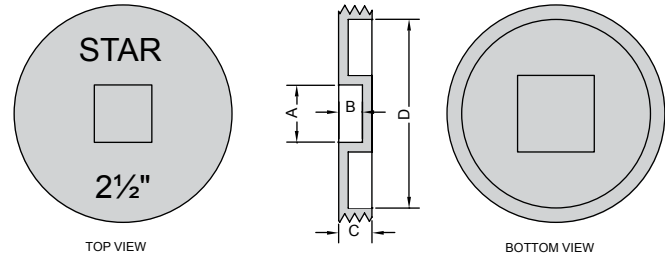
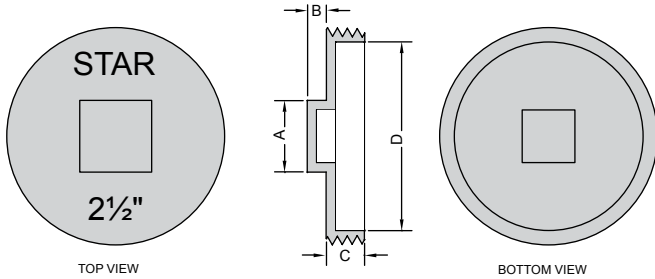
REV: 10.01
 *REGISTERED TRADEMARK OF STAR PIPE PRODUCTS

STAR PIPE PRODUCTS
 PLUMBING DIVISION TOLL FREE 1-877-909-7827 FAX 866-868-7827
 www.starpipeproducts.com





SV Gasket & Brass Plugs

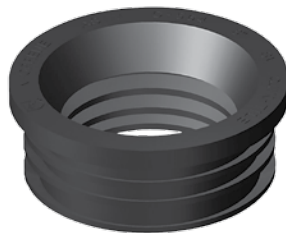


BRASS PLUG* - TYPE "A" LOW SQUARE HEAD PLUG							
NOM. SIZE	PART NO.	UPC CODE	A	B	C	D	WT (LBS.)
1/4	NHA012	829351282077	0.69	0.31	0.41	1.40	0.1
1 1/2	NHA015	829351282213	0.75	0.31	0.50	1.64	0.2
2	NHA020	829351282343	0.94	0.31	0.50	2.12	0.3
2 1/2	NHA025	829351282169	1.00	0.31	0.50	2.54	0.4
3	NHA030	829351282299	1.13	0.43	0.50	3.16	0.7
3 1/2	NHA035	829351282114	1.13	0.43	0.50	3.65	0.8
4	NHA040	829351282251	1.13	0.43	0.50	4.16	1.0
5	NHA050	829351282084	1.38	0.43	0.56	5.16	1.3
6	NHA060	829351282220	1.38	0.50	0.63	6.25	2.3
8	NHA080	829351282350	1.63	0.50	0.75	8.21	3.5
10	NHA100	829351282176	2.00	1.00	0.75	10.28	6.2

Threads in accordance with ANSI/ASME B1.20.1

BRASS PLUG* - TYPE "B" PLAIN COUNTERSUNK PLUG							
NOM. SIZE	PART NO.	UPC CODE	A	B	C	D	WT (LBS.)
1 1/2	NHB015	829351282305	0.69	0.31	0.44	1.64	0.3
2	NHB020	829351282121	0.75	0.31	0.44	2.12	0.4
2 1/2	NHB025	829351282268	0.75	0.31	0.44	2.54	0.6
3	NHB030	829351282091	0.88	0.31	0.47	3.16	0.7
3 1/2	NHB035	829351282237	0.88	0.38	0.50	3.65	0.8
4	NHB040	829351282367	0.88	0.38	0.50	4.16	1.0
5	NHB050	829351282183	1.13	0.38	0.50	5.16	1.2
6	NHB060	829351282312	1.44	0.50	0.63	6.25	1.8
8	NHB080	829351282138	1.44	0.50	0.75	8.21	3.3

Threads in accordance with ANSI/ASME B1.20.1



SV GASKET*			
NOM. SIZE	PART NO.	UPC CODE	WT (LBS.)
2	SVGAS02	829351280752	0.28
3	SVGAS03	829351280011	0.40
4	SVGAS04	829351280578	0.51
5	SVGAS05	829351279831	1.20
6	SVGAS06	829351280394	1.40
8	SVGAS08	829351279657	1.75
10	SVGAS10	829351280219	2.47
12	SVGAS12	829351280769	3.16
15	SVGAS15	829351280028	5.55

Conforms to ASTM C-564

*All dimensions in inches except where indicated.



STAR® PIPE PRODUCTS