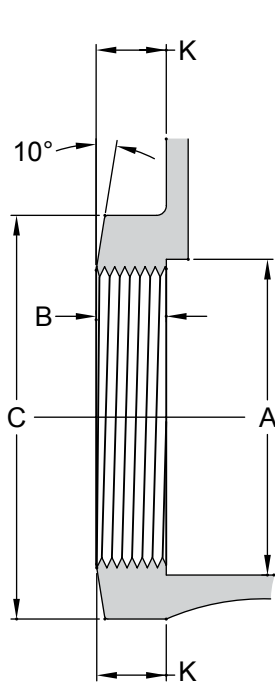


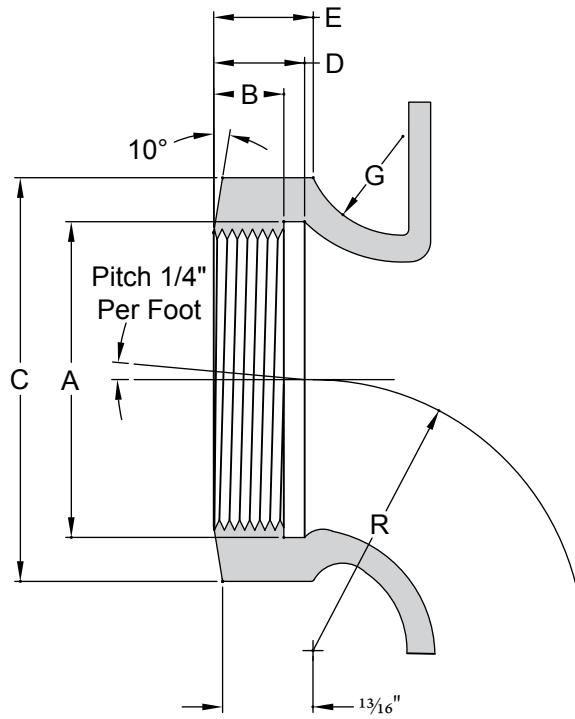


Dimensions for Tapping Bosses

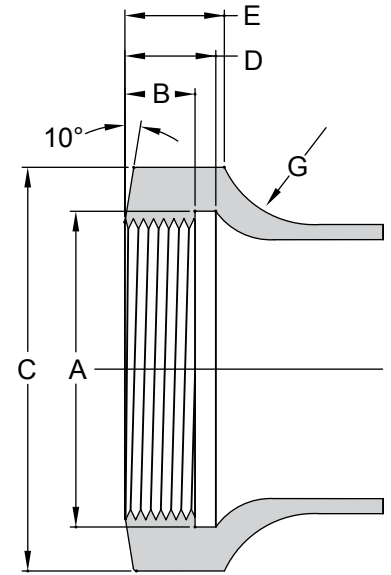
TECHNICAL INFORMATION



FOR FITTINGS WHERE CASTING OPENING IS LARGER THAN TAPPED OPENING.



FOR FITTINGS TAPPED ON SANITARY BRANCH



FOR FITTINGS WHERE CASTING OPENING IS SMALLER THAN TAPPED OPENING.

TAPPING BOSSES*

NOM. SIZE	A	B	C	D	E	G	K	R
1 1/4	1 15/16	7/16	2 11/16	3/4	7/8	1/2	1/2	1 3/4
1 1/2	1 15/16	7/16	2 11/16	3/4	7/8	1/2	1/2	1 3/4
2	2 7/16	7/16	3 1/4	3/4	15/16	5/8	1/2	2 1/4
2 1/2	3	5/8	3 15/16	1	1 1/8	3/4	5/8	2 3/4
3	3 9/16	3/4	4 5/8	1 3/16	1 5/16	1	3/4	3
3 1/2	4 1/16	3/4	5 1/8	1 1/4	1 3/8	1	3/4	3
4	4 9/16	13/16	5 3/4	1 1/4	1 7/16	1 1/8	1 3/16	3 1/2
5	5 5/8	15/16	7 1/16	-	-	-	1 3/8	-
6	6 11/16	1	8 5/16	-	-	-	1 7/16	-
8	8 7/8	1	10 1/4	-	-	-	1 13/16	-
10	11	1 1/4	12	-	-	-	1 15/16	-

Note: All dimensions and tolerances are from ASTM A-888 and CISPI 301 Hubless Pipe & Fittings. Horizontal inlet waste bosses to be tapped at an angle of 1/4" per foot to provide flow. Pipe threads in accordance with ANSI/ASME B1.20.1

REV: 10.01 *All dimensions in inches except where indicated.
 *REGISTERED TRADEMARK OF STAR PIPE PRODUCTS

